

Televes®

DO IT YOURSELF

CATALOGUE



TELEVISION AUDIO / VIDEO FIBRE OPTIC MECHANICAL ACCESSORIES



CAMPNOVA BOSS

ANTENNA CAMPNOVA BOSS REF.144501



COMPACT DESIGN
Discreet design
(318 x 346 x 72 mm)



LTE Ready PRODUCT :
It includes a built-in LTE FILTER to avoid any wireless interference

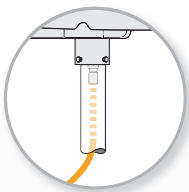


The base has a tube compatible with masts up to 30mm diameter



LOW CONSUMPTION

The base was designed to protect and hide the coaxial cable inside the mast or the bracket



ANTENNA KIT
with assembly accessories included (Amplifier, power injector, coaxial cable reel and connectors).



WEATHER RESISTANT (IP 53)
under any climate conditions.

Enjoy your camping experience with an intelligent antenna

The BOSS (Balanced Output Signal System) technology makes the antenna intelligent as it optimize automatically the level of TV signal received and also adjust the output level in order to get the best quality in reception.

Certain technical information		Frequency Band	Gain (dBi)	Output Level(dBμV)	Voltage (V)	Consumption (mA)
BOSS Tech	OFF	BIII	0	-	0	0
		UHF	4...7			
	ON	BIII	10	Auto	12...24	32 (12Vdc)
		UHF	19...22			42 (24Vdc)



100% Designed, Developed & Manufactured in Televes Corporation
televescorporation ■ televes.com

Televes®

INDEX



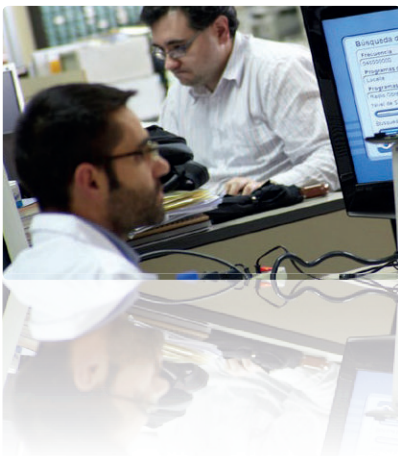
ABOUT TELEVES.....	4
INTELLIGENT ANTENNAS WITH TFORCE TECHNOLOGY	6
1 TERRESTRIAL ANTENNAS	
TERRESTRIAL ANTENNAS.....	8
OUTDOOR PASSIVE ANTENNAS.....	10
OUTDOOR SPECIAL ANTENNAS	12
INDOOR SPECIAL ANTENNAS.....	14
2 SATELLITE DISHES	
SATELLITE DISHES.....	16
LNB CONVERTERS.....	18
TV SAT KITS.....	18
3 AMPLIFICATION	
LTE/4G FILTERS.....	20
MAST MIXERS.....	20
MAST AMPLIFIERS WITH POWER SUPPLY UNITS	22
DOMESTIC AMPLIFIERS.....	24
4 DISTRIBUTION	
SPLITTERS.....	26
OUTLETS AND ACCESSORIES.....	28
COAXIAL CABLE AND ACCESSORIES.....	30
COAXIAL CABLE LEADS.....	32
COAXIAL CONNECTORS.....	34
AUDIO/VIDEO AND OPTIC FIBRE.....	36
5 SET-TOP BOXES & HOME ACCESSORIES	
DIGITAL SET-TOP BOXES.....	38
AUDIO/VIDEO & IR TRANSMISSION.....	40
MODULATORS & CHARGERS.....	42
6 MECHANICAL ACCESSORIES	
PACK TOWER	44
ANTENNA WALL SUPPORTS.....	46
ANTENNA GROUND SUPPORTS	48
MAST AND BRACKETS.....	50
ACCESSORIES AND DISPLAY BOARD	52
APPENDIX.....	54



TECHNOLOGICAL DEVELOPMENT IN SEARCH OF EXCELLENCE

Televés is a world renowned brand in the development and manufacture of equipment for the reception, distribution and measurement of radiotelevision signals, with a wide range of solutions that cover all telecommunications services in the era of digital buildings and homes. Founded in 1958, Televés is now the main trademark within a multinational corporation structure that sends products to more than a hundred countries in five continents, thanks to an extensive logistics distribution network, including ten international subsidiaries that have local warehouses for quick to market unplanned deliveries of final goods, as well as the sectors most complete technical assistance and customer support.

The firm is recognized worldwide for the orange satellite dishes that sky about building roofs, but beyond this typical company icon, Televés brand is appreciated by the installers and professional data and television services integrators as a guarantee for quality, advanced technology and technical support. The company has launched more than 1500 different products, an achievement only possible to companies that have a innate "passion for manufacturing".



WE TRANSFORM OUR IDEAS INTO TECHNOLOGICAL
SOLUTIONS, BY APPLYING

CREATIVITY

INNOVATION

EXPERIENCE



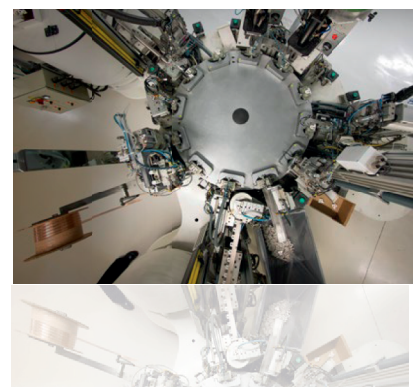
CUTTING-EDGE MANUFACTURING

PASSION FOR QUALITY

Televés builds its own production facilities, we like to say that we manufacture the manufacturing plant. Our products carry the European Technology Made in Europe identity slogan to explain that the complete process from design to market is done by us. Televés has been a pioneer in our sector by introducing superficial assembly of components and robotized automated lines before any one else knew what it was. Our facilities are ever evolving, having adopted the paradigm of Industry 4.0 to increase our product interaction with market demands, creating a stable and sustainable ecosystem between factory and engineers that is able to create technologies like TForce, the base for the design of a new generation of products with advanced performance. We don't leave anything to chance, to guarantee the maximum quality and durability of our products, Televés has built a Certification Lab where products undergo the toughest tests that ensure top quality over time.

PROCESS AUTOMATION AS A GUARANTEE FOR TOTAL QUALITY

Automation has allowed us to obtain high degrees of flexibility in the manufacturing process, along with a reduction of delivery times. We can adapt to the demands of a market in constant evolution.



OUR MODERN PRODUCTION CENTERS ARE CHARACTERIZED FOR

AUTOMATION

INNOVATION

INTEGRATION



TERRESTRIAL ANTENNAS

INTELLIGENT ANTENNAS WITH TFORCE TECHNOLOGY

Televes goes beyond the silicon era into the new era in electronic component design, which allows building integrated circuits that work in the microwave frequency band.

TForce is based on the manufacturing of gallium arsenide (GaAs) semiconductor components, **which provides products with functionalities that are difficult to match.**

Televes intelligent antennas are designed with BOSS (Balanced Output Signal System). Don't worry about the signal strength, just align the antenna and the BOSS device will **automatically adjust the output signal to the optimum level.**

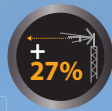
Creation of a BOSS with TForce technology, which is based on MMIC components, is an extraordinary milestone in dynamic range optimization.



MORE ABOUT TFORCE TECHNOLOGY
EN.TELEVES.COM/TFORCE



HIGH DYNAMIC RANGE



WIDER DTT COVERAGE AREA



VERY HIGH GAIN



VERY LOW NOISE FIGURE



MANUFACTURED IN EUROPE

BOSS TECH
BALANCED OUTPUT SIGNAL SYSTEM

VERY STRONG SIGNAL

VERY WEAK SIGNAL

OPTIMAL SIGNAL

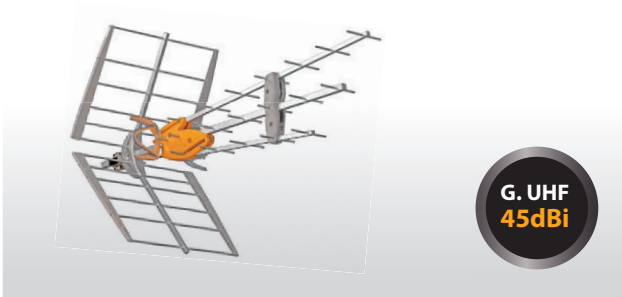
AUTOMATIC SIGNAL ADJUSTMENT

The advertisement features a central graphic of a BOSS TECH antenna with a signal strength bar chart. The bar chart shows three bars: a tall red bar labeled 'VERY STRONG SIGNAL', a short blue bar labeled 'VERY WEAK SIGNAL', and a medium orange bar labeled 'OPTIMAL SIGNAL'. The antenna is shown in a wireframe style with a yellow and orange body. The background is a dark, stylized landscape with binary code (0s and 1s) scattered around. The text 'BOSS TECH' and 'BALANCED OUTPUT SIGNAL SYSTEM' is at the top. 'AUTOMATIC SIGNAL ADJUSTMENT' is at the bottom.

DAT BOSS SERIES WITH TFORCE TECHNOLOGY: OUTDOOR UHF INTELLIGENT ANTENNAS

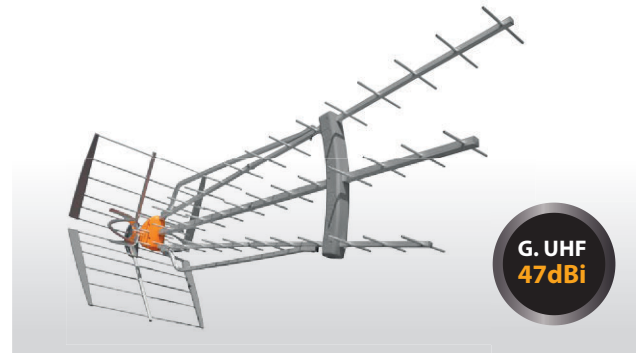
DAT BOSS ANTENNA

The first intelligent antenna



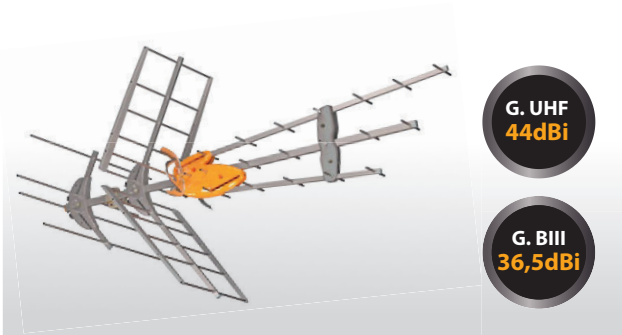
DAT BOSS LR ANTENNA

A **Long Range** UHF antenna for extreme reception conditions



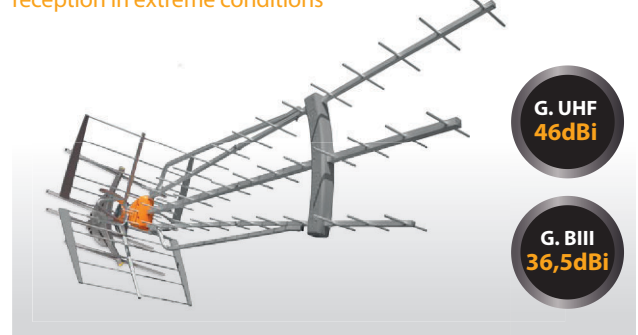
DAT BOSS MIX ANTENNA

A combined antenna for UHF and Band III reception



DAT BOSS MIX LR ANTENNA

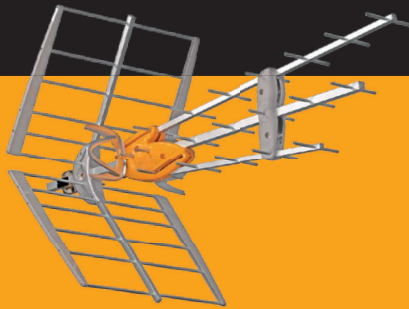
A combined **Long Range** antenna for Band III and UHF reception in extreme conditions



NOVA BOSS SERIES: SPECIAL ANTENNAS

ANTENNA	RECEPTION TYPE	RECOMMENDED INSTALLATION	HIGHLIGHT
DINOVA	STATIC	 Emblematic Places, Facades, Balconies	Low visual impact
CAMPNOVA	STATIC (LONG STAYS)	 Caravans (Campings)	Optimized mechanic for caravan installations
OMNINOVA	STATIC (SHORT STAYS)	 Motorhomes and Boats	No need to be oriented
TRINOVA	ON THE MOVE	 Motorhomes, Boats and Buses	TVMotion complete system (antenna + receiver) able to receive the signal from all the directions and select the best one

TERRESTRIAL ANTENNAS



The antenna is the essential element for a perfect DTT (UHF antenna) or radio (FM antenna) reception.

To guarantee Televes antennas lifetime, these are made of aluminium (stainless material) with its **zamak, rustproof and high durable assembly accessories.**

The UHF antenna choice must be done as its received signal capability (gain) and directivity.

Within the UHF range, **DAT series achieve "the intelligence" due to the BOSS technological inclusion** (Balanced Output Signal System) in the dipole.

INTERESTING FACTS

To activate the antenna intelligence (BOSS) you can use a power supply connected to the coaxial cable. Without power supply, the antenna behaves as a high performance passive antenna.

These antennas include a filter against 4G/LTE interferences. Choose your references for, 1st or 2nd Digital Dividend (LTE790 or LTE700).

Televes



CHARACTERISTICS

	REF.	DESCRIPTION	BAND
DAT BOSS Intelligent Antennas	149921 LTE700	"DAT BOSS" Antenna with BOSS intelligence: the first intelligent antenna	UHF: 470...698 MHz Channels 21-48
	149941 LTE790		UHF: 470...790 MHz Channels 21-60
	149721 LTE700	"DAT BOSS LR" Antenna a very high gain antenna for extreme reception conditions	UHF: 470...698 MHz Channels 21-48
	149740 LTE790		UHF: 470...790 MHz Channels 21-60
	149421 LTE700	"DAT BOSS MIX" Antenna a combined intelligent antenna for BIII and UHF reception	BIII: 174...230 MHz Channels 5-12
	149441 LTE790		UHF: 470...698 MHz Channels 21-48
	149821 LTE700	"DAT BOSS MIX LR" Antenna a very high gain antenna for BIII and UHF reception in extreme conditions	BIII: 174...230 MHz Channels 5-12
			UHF: 470...698 MHz Channels 21-48

MORE INFO

DAT Series: Intelligent antennas

A traditional active antenna incorporates a simple amplifier which can produce saturation problems. Televes BOSS antennas are not active, they are intelligents: **BOSS device regulates the gain to avoid any saturation problem and it adapts to signal fluctuations, so output level is always optimal.**

Its new design with **TForce technology**, makes this intelligent device even more versatile:

HIGH DYNAMIC RANGE: it allows you to receive high-quality TV in a variety of critical situations, from areas where signals are very weak to installations with high reception levels.

DTT COVERAGE ENHANCEMENT: up to 27% higher than older models.

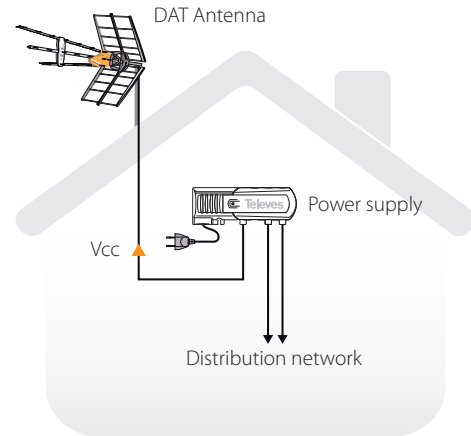


PACKING

GAIN (dBi)	LENGHT (mm)	TYPE	DIMENSIONS mm (x-y-z)	Qty	EAN13 CODE
42 (17 w/o BOSS)	1112	Box	798x409x69	1	8424450185056
45 (17 w/o BOSS)					8424450185025
47 (19 w/o BOSS)	1825	Box	1000x425x135	1	8424450185360
					8424450185377
BIII: 36.5 (8.5 w/o BOSS) UHF: 41 (16 w/o BOSS)	1200	Box	890x411x70	1	8424450185421
BIII: 36.5 (8.5 w/o BOSS) UHF: 44 (16 w/o BOSS)					8424450185391
BIII: 36.5 (8.5 w/o BOSS) UHF: 46 (16 w/o BOSS)	1900	Box	1020x425x135	1	TBA

EXAMPLE OF USE

DAT Series: Intelligence Activation



BOSS device could be powered with 12...24V

PROBLEMS WITH THE QUALITY OF DTT?



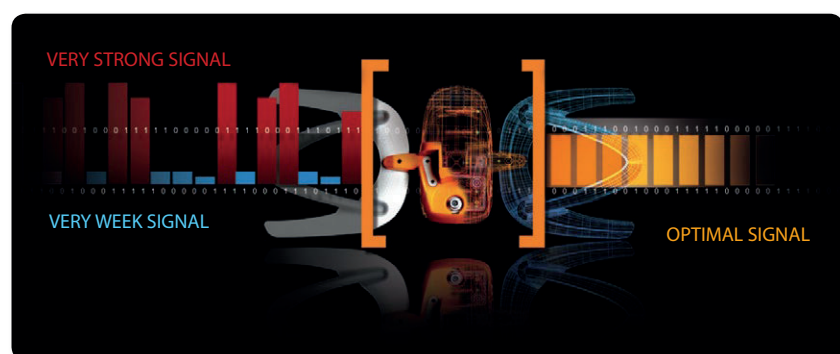
EN.TELEVES.COM/DATBOSS

**IF THE DAT BOSS CAN'T RECEIVE IT,
NOTHING CAN!**

A MORE STABLE RECEPTION: it supports signal variations or fading with no effect on the TV installation.

ÓPTIMAL C/N: thanks to a noise figure of only 1.2dB that respects the received signal quality.

VERY HIGH GAIN: TForce increases the gain of the antenna in 13dB, in UHF and III Band.



OUTDOOR PASSIVE ANTENNAS



Televés offers a complete range of passive antennas for every reception band: DTT (UHF or BIII antenna) or radio (FM antenna), designed and manufactured in Europe.

They are made of aluminium (stainless material) with his **zamak**, **rustproof** and **high durable assembly accessories**, and the strict quality controls guarantee always the antennas lifetime and reliability.

INTERESTING FACTS

Zamak is a zinc, aluminium, magnesium and copper alloy which have high hardness, robustness and resistance.

These antennas include a filter against 4G/LTE interferences. Choose your references for, 1st or 2nd Digital Dividend (LTE790 or LTE700).

Televés



CHARACTERISTICS

	REF.	DESCRIPTION	BAND
UHF DTT	111942 LTE790	"Yagi Edge" Antenna 19 elements, compact and light	UHF: 470...790 MHz Channels 21-60
	149221 LTE700	"V Zenit" Antenna an excellent compromise between size and gain in the UHF reception	UHF: 470...698 MHz Channels 21-48
	149201 LTE790	"V Zenit" Antenna with CSG technology (channel selection geometry): end frequency range can be changed thanks to the different position of the elements)	UHF: 470...774/782/790 MHz Channels 21-58/59/60

	REF.	DESCRIPTION	BAND
BIII/UHF DTT	149321 LTE700	"V Zenit MIX" Antenna an excellent compromise between size and gain, in a combined reception (BIII and UHF)	BIII: 174...230 MHz Channels 5-12 UHF: 470...698 MHz Channels 21-48

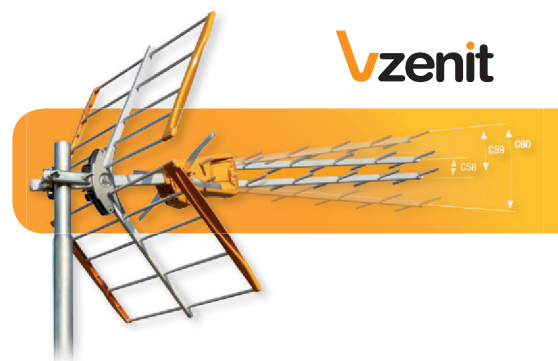
	REF.	DESCRIPTION	BAND
BIII DTT	106601	"V BIII" Antenna a different band III antenna with an innovative and compact design	BIII: 174...230 MHz Channels 5-12

	REF.	DESCRIPTION	BAND
FM Radio	1201	FM Terrestrial Antenna circular dipole, made to be compact	FM: 88...108 MHz

MORE INFO

V Zenit: Three antennas in one.

CSG Technology (Channel Selection Geometry) is a new concept in the design and manufacture of TV antennas; the antenna can perform as an adjustable filter by means of changing its geometry.



vzenit

PACKING

GAIN (dBi)	LENGHT (mm)	TYPE	DIMENSIONS mm (x-y-z)	Qty	EAN13 CODE
10	695	Box	723x179x67	1	8424450178942
13	890	Box	648x299x62	1	8424450184219
15	890	Box	648x299x62	1	8424450169896

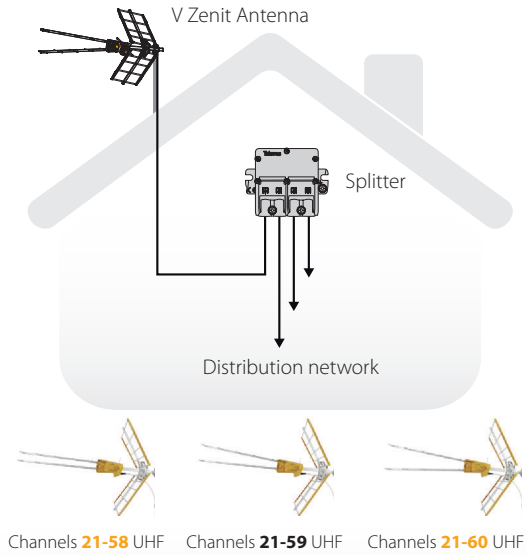
GAIN (dBi)	LENGHT (mm)	TYPE	DIMENSIONS mm (x-y-z)	Qty	EAN13 CODE
BIII: 8.5 UHF: 13	1056	Box	898x299x62	1	8424450184226

GAIN (dBi)	LENGHT (mm)	TYPE	DIMENSIONS mm (x-y-z)	Qty	EAN13 CODE
9	840	Box	898x344x62	1	8424450182604

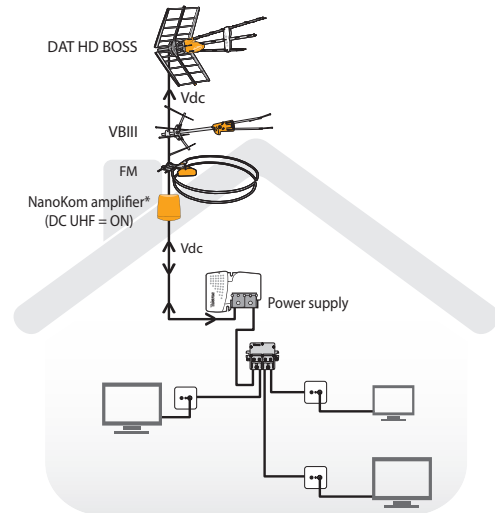
GAIN (dBi)	LENGHT (mm)	TYPE	DIMENSIONS mm (x-y-z)	Qty	EAN13 CODE
1	500	Box	601x497x92	1	8424450012017

EXAMPLE OF USE

Passive UHF Antenna



Installation for UHF, BIII and FM reception



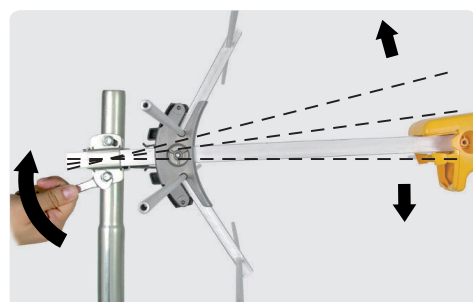
* UHF and BIII Amplifier.
If the amplifier is not needed, simply use a mast head combiner.

A secure and adaptable fixing system.

Outdoors antennas are always under the effects of adverse weather conditions.

That is why these antennas are clamped in one end through a robust fixing system that allows slightly modifications of the tilt of the antenna on the vertical axis.

The reflectors are secured by a system of clamps manufactured in zamak that simplifies the installation and increases the strength of the whole assembly.



OUTDOOR SPECIAL ANTENNAS



BOSS technology has been included in this type of intelligent antennas and allow DTT reception in specials conditions.

Outdoor range, built with high resistance materials, is characterized by its aesthetic design and discretion; ideal to install in sensitive areas.

Within the static reception antennas range, some models are differentiated due to the environment where the TV signal is going to be received.

On the other hand, TVMotion system has been designed to receive the TV signal on the move.

INTERESTING FACTS

Accessories for an easy and simple installation (cables, supports,...) and BOSS activation are included in the product.

All of these antennas include a filter against the 4G/LTE signal interferences.



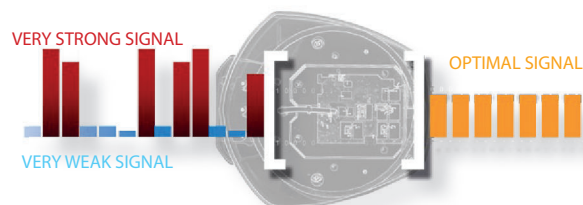
CHARACTERISTICS

	REF.	DESCRIPTION	BAND
STATIC RECEPTION	144144	"DINOVA BOSS" Antenna: low visual impact, ideal for balconies, apartments and facades	FM: 88...108 MHz BIII: 174...230 MHz UHF: 470...790 MHz Channels 21-60
	144501	"CampNova BOSS" Antenna: enjoy your camping experience with an intelligent antenna. Base was designed to protect and hide the coaxial cable inside the mast or the bracket. Also is compatible with masts up to 30mm of diameter, ideal for caravans.	FM: 88...108 MHz BIII: 174...230 MHz UHF: 470...790 MHz Channels 21-60
	144441	"OMNINOVA BOSS" Antenna: omnidirectional antenna that can receives television with stable images, regardless antenna movements. Ideal for motorhomes and boats.	AM: 0,153...30 MHz BI: 47...68 MHz FM: 88...108 MHz BIII: 174...230 MHz UHF: 470...790 MHz Channels 21-60

	REF.	DESCRIPTION	TRINOVA ANTENNA
DTT ON THE MOVE	144740	"TVMotion" System (Antenna+Receiver): receives signals from different directions (different emitters) and select the best one. Ideal for motorhomes, boats and buses.	UHF: 470...790 MHz Channels 21-60 Gain: 25dB
	+ 512501		

MORE INFO

These antennas have been designed to work in intelligent mode (BOSS activated). Device automatically control the level of the received signal (either very high or very low) in order to always ensure an optimal output level.





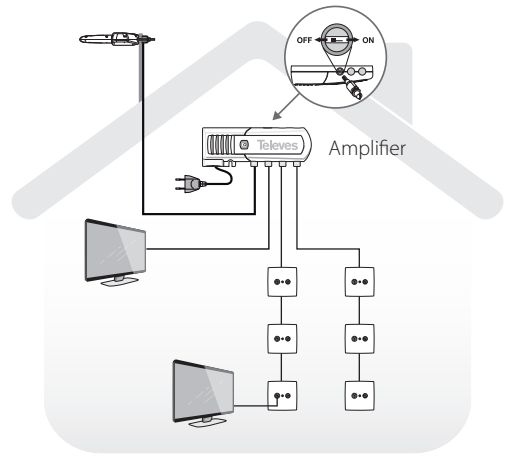
PACKING

GAIN (dB)	DIMENSIONS (mm)	TYPE	DIMENSIONS mm (x-y-z)	Qty	EAN13 CODE
BIII: 10 UHF: 22	450x315x75	Box	348x369x124	1	8424450178034
BIII: 10 UHF: 22	320x290x107	Box	332x367x124	1	8424450182864
AM: - BI: 30 FM: 20 BIII: 28 UHF: 30	320x290x107	Box	348x369x124	1	8424450167199

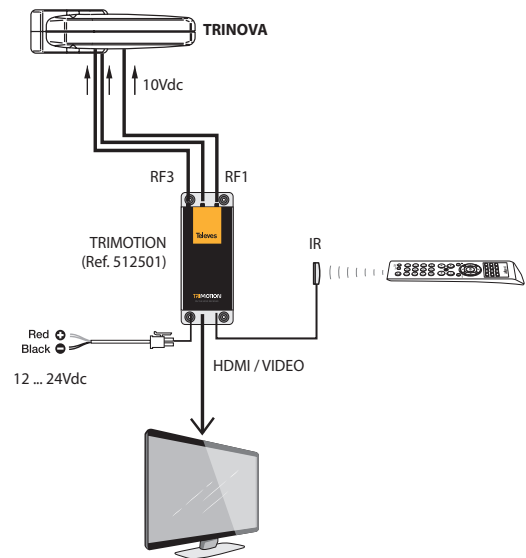
TRIMOTION RECEIVER	DIMENSIONS (mm)	TYPE	DIMENSIONS mm (x-y-z)	Qty	EAN13 CODE
High Definition Image	320x290x72	2 Boxes	340x367x124	1	8424450177686
HDMI output and composite video	256x114x35		326x143x50	1	8424450173565

EXAMPLE OF USE

DINOVA BOSS Antenna



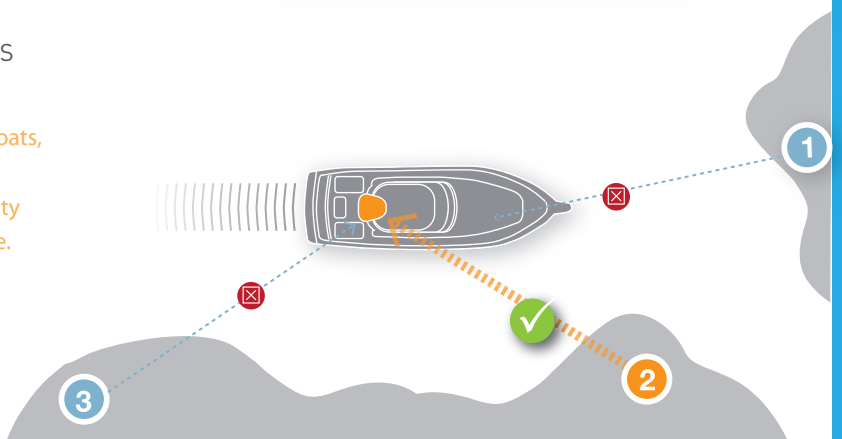
TVMotion System



BEST DTT RECEPTION IN POOR COVERAGE AREAS AND ON THE MOVE

TVMotion receives signals from different locations (boats, buses, caravans, etc.), and from different locations (transmitters) avoiding those with weak or poor quality and sending the best signal to the receiver every time.

TVMOTION



INDOOR SPECIAL ANTENNAS



BOSS technology has been included in this type of antennas and allow DTT reception indoors.

Plug&Play has been particularly intended to indoor range for an easy and fast installation, where a normal antenna can not be installed

INTERESTING FACTS

Accessories for an easy and simple installation (cables,supports,...) and BOSS activation are included in the product.

All of this antennas include a filter against the 4G/LTE signal interferences.

Televes



CHARACTERISTICS

	REF.	DESCRIPTION	BAND
INDOOR intelligent antennas	130201	"INNOVA BOSS" Antenna: no need to be oriented.	UHF: 470...790 MHz Channels 21-60
	130140	High gain "MIRA BOSS" Antenna: It allows to point for complicated reception conditions.	UHF: 470...790 MHz Channels 21-60

MORE INFO

MIRA BOSS antenna, apart from can be used for the reception of the TV signal inside of the house, can be used with other mode.

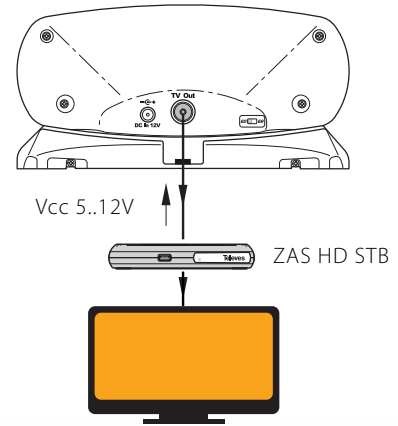
This mode is called "mixed" and is used in installations which has a collective antenna distribution with the lack of some channel which exists in DTT broadcasts, usually local channels.

In this particular case is enough to insert Mira BOSS between the antenna's outlet and the television. The antenna will receive the missing channels and it will mix them with the one's which already exist, so we could see the whole DTT broadcasts in our TV.

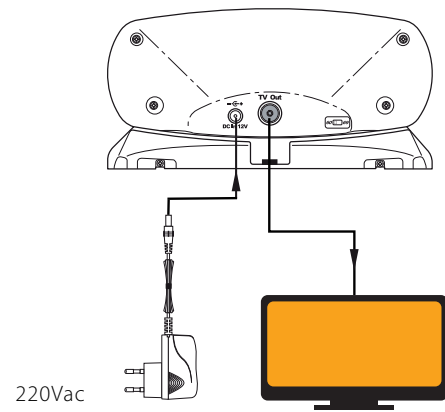


GAIN (dB)	DIMENSIONS (mm)	TYPE	DIMENSIONS mm (x-y-z)	Qty	EAN13 CODE
30	215x102x105	Box	222x114x105	1	8424450149430
35	213x51x217	Box	222x227x61	1	8424450176023

INNOVA BOSS ANTENNA

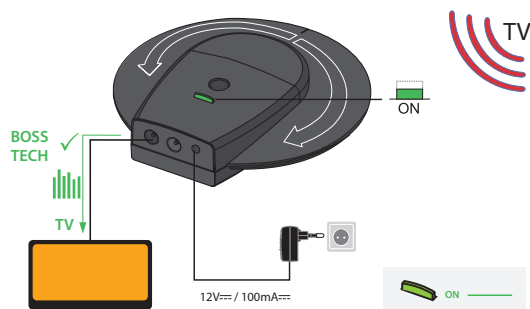


Powering by STB

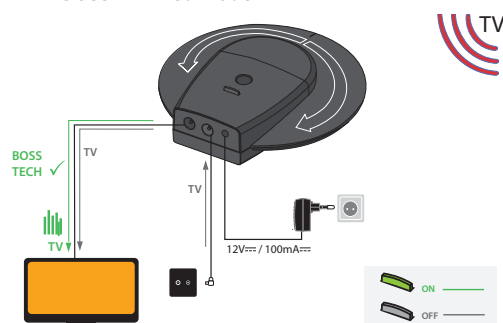


Local power supply (220Vac)

MIRA BOSS as an indoor antenna



MIRA BOSS in mixed mode



SATELLITE DISHES



Satellite dishes usually get installed in roofs. These are perfect places that allow the signal be received in perfect conditions.

Protection against rust is very important because it affects directly to the quality of the reflected signal. Thus, **aluminium dishes and stainless steel screws** have been implemented in both ranges.

Satellite dish size depends on the power of the signal that we want to receive.

INTERESTING FACTS

Satellite operators communicate the emission power of each satellite using a curves called footprints. These allow to choose the necessary minimum dish diameter to receive the satellite signal in a specific geographic area.

Zamak is a zinc, aluminium, magnesium and copper alloy which have high hardness, robustness and resistance.

Televes



CHARACTERISTICS

	REF.	MATERIAL	COLOR	SIZE (mm)	STRUCTURE
QSD SERIES Quality Satellite Dish	7902	Aluminium	O	QSD 75: 750x850	Reinforced and hot-dip galvanized; pre-assembled and folding arm for an easy installation. The hidden cable routing system simplifies the coaxial cable fixing and improves the looking of the whole.
	790204		W		
	790202		G		
	790203		R		
QSD SERIES Quality Satellite Dish	7903	Aluminium	O	QSD 85: 850x950	The robust back support gives a big stability to whole system. Pre-assembled LNB support, adjustable height and made of Zamak. Stainless steel screws.
	790304		W		
	790302		G		
	790303		R		

	REF.	MATERIAL	COLOR	SIZE (mm)	STRUCTURE
ISD SERIES Inox Satellite Dish	793001	Aluminium	O	Ø 630: 575x637	High resistance reflector bracket: made of fibreglass. Hidden cable routing through the arm, made of aluminium. Robust pole clamp and bracket: made of zamak.
	793002		W		
	793003		G		
	793004		R		
ISD SERIES Inox Satellite Dish	793101	Aluminium	O	Ø 830: 750x836	Flexible LNB holder to fix the converter: made of fibreglass. Greater mobility with elevation angle from 0 to 90°. Stainless steel screws.
	793102		W		
	793103		G		
	793104		R		

MORE INFO

Why should you choose an aluminium satellite dish?

Satellite dish is light and immune against rust.

Which range should I choose?

	ISD	QSD
Easy mounting	★	★★★★
Robustness	★★	★★★★
Durability	★★	★★★★
Design	★	★★★★



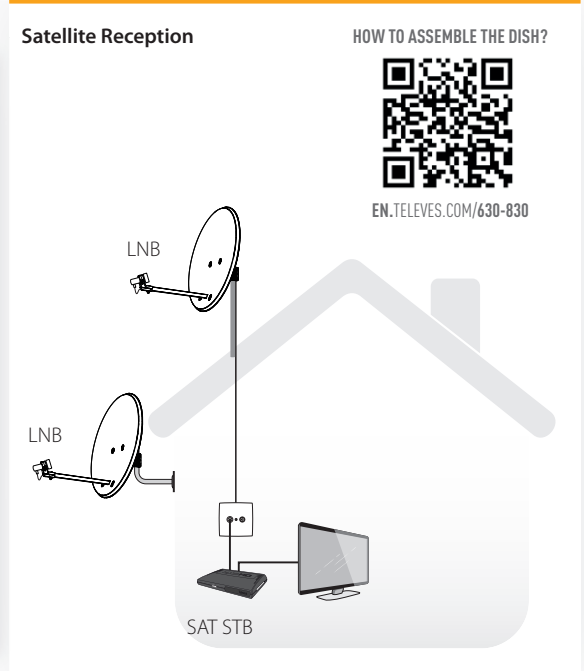
PACKING

EXAMPLE OF USE

GAIN (dBi)	WEIGHT (Kg)	TYPE	DIMENSIONS mm (x-y-z)	Qty	EAN13 CODE
39.0	9.3	Box	842x1170x166	1	8424450144442
					8424450149706
					8424450146422
					8424450146439
40.2	10.4	Box	992x1192x166	1	8424450144459
					8424450149713
					8424450146392
					8424450146408



GAIN (dBi)	WEIGHT (Kg)	TYPE	DIMENSIONS mm (x-y-z)	Qty	EAN13 CODE
36.2	TBA	Box	TBA	1	8424450184714
					8424450184721
					8424450184738
					8424450184745
38.8	TBA	Box	TBA	1	8424450184790
					8424450184806
					8424450184813
					8424450184820



Discover the QSD Line: TOP quality.

QSD Line aluminium dish (Quality Satellite Dish) is a result of an in-depth analysis about the requirements which a product has to fulfill to resist the adverse weather conditions (sea saltpeper, wind, ...)

The steel back support of the QSD dishes follows an **enhanced process of hot-dip galvanization**, coated in a molten bath of zinc at very high temperatures. The result is a very resistant and stronger material against corrosion and rust.



The QSD dishes have passed the most rigorous safety and quality tests carried out by the TÜV, the German certifying organization

LNB CONVERTERS TV SAT KITS



LNB (Low Noise Block Down Converter) is the **main element installed in the folding dish arm**. The LNB is the component which receives the high frequencies from the satellite (GHz) and convert them to low TV frequencies (MHz).

This conversion must be made because the signal need to be adapted to the coaxial bandwidth.

The LNB converter have one (Single), two (Twin) or four (Quad) "F" connector outputs. **We will choose the LNB in order to the number of SAT STB** inside the home.

SAT kits include all the necessary equipment to set up a FTA (free to air) installation system: dish, LNB, STB with controller, mechanical accessories and connection accessories.

INTERESTING FACTS

Using waterproof caps with the cable connectors help to protect the LNB from the water.

A Single or a Twin LNB converter allows to receive TV and radio services available in the satellite.

On the other hand, a Monoblock LNB allows to receive 2 satellite services at same time, usually 19.2° E Astra and 13° E HotBird.

Televes



CHARACTERISTICS

	REF.	OUTPUTS	FREQUENCIES	NOISE FIGURE(dB)
CONVERTERS LNB	4365	SINGLE: 1 Output (1 Satellite)	Input: 10.7-12.75 GHz Output: 950...1950 MHz 1100...2150 MHz	0.3
	4332	TWIN: 2 Outputs (1 Satellite)	Input: 10.7-12.75 GHz Output: 950...1950 MHz 1100...2150 MHz	0.3

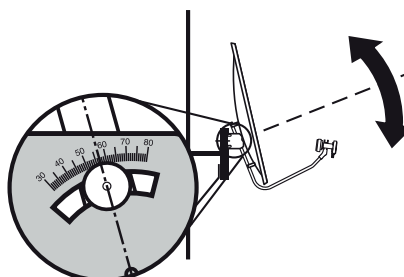
	REF.	DISH	CONVERTER	SAT RECEIVER
SATELLITE KITS	7506	Ø 800 Steel: 750x836 mm	SINGLE: 1 Output 1 Satellite	Free to air signals (FTA) reception with RF modulator: possibility to distribute the signal through an analog channel generated in UHF band to another outlets in the house.
	7525	Ø 800 Steel: 750x836 mm	MONOBLOCK: 1 Output 2 Satellites (Astra 19.2°E + HotBird 13°E)	Free to air signals (FTA) reception with RF modulator: possibility to distribute the signal through an analog channel generated in UHF band to another outlets in the house.

MORE INFO

Installing a satellite dish..

Set the elevation

Elevation angle must be the one which correspond with the place of your house.



Steer the satellite dish

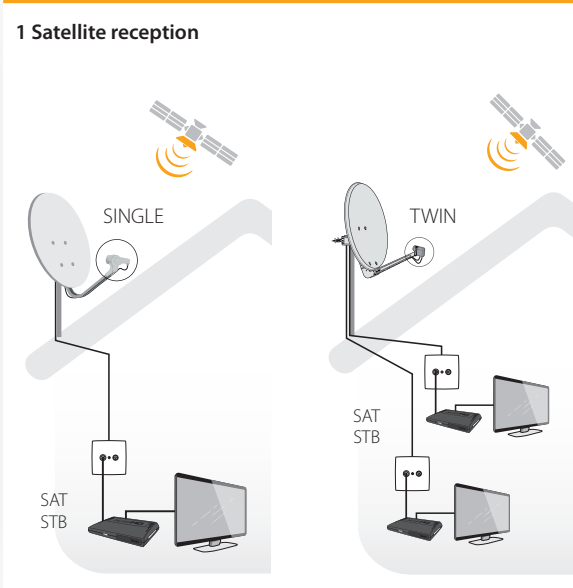
Point the satellite dish to the south and turn it slowly to the east or to the west. This depends on the orbital position and the angle posted in the direction plan.



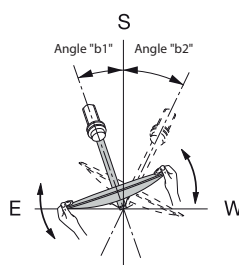
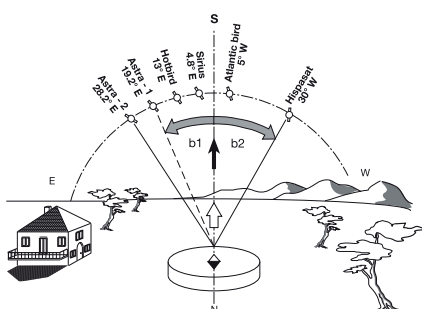
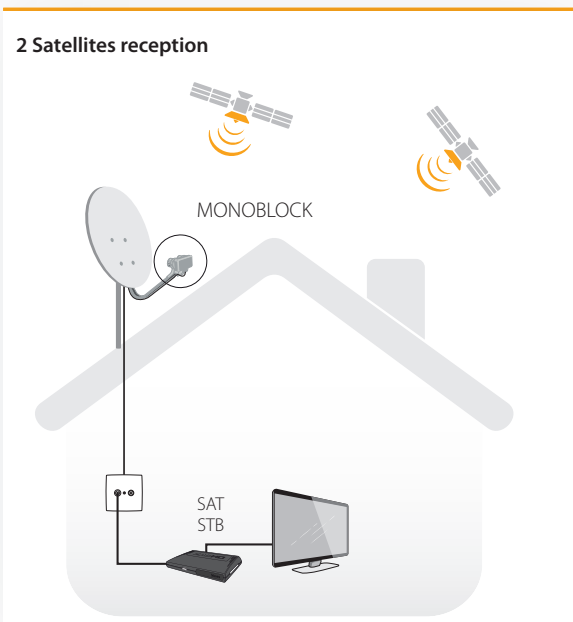
PACKING

GAIN (dB)	CONSUMPTION (mA)	BLISTER TYPE	DIMENSIONS mm (x-y-z)	Qty	EAN13 CODE
60	90	T1	120x260x58	6	8424450043653
60	170	T2	166x268x67	6	8424450043325

EXAMPLE OF USE

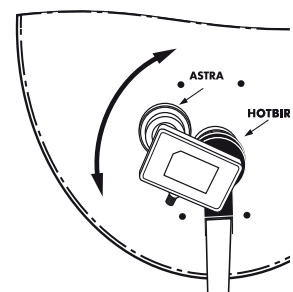


ADDITIONAL ACCESSORIES	TYPE	DIMENSIONS mm (x-y-z)	Qty	EAN13 CODE
LNB and Dish support Screws "F" Connectors	Box	860x770x125	1	8424450075067
LNB and Dish support Screws "F" Connectors	Box	860x770x125	1	8424450075258

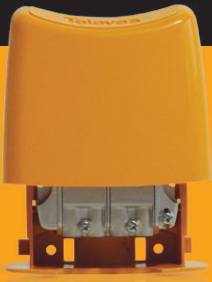


If you are using a Monoblock LNB...

You must aim by the HotBird side 13° and turn the LNB like the image shows.



LTE/4G FILTERS MAST MIXER



Filters prevent LTE 790 / 4G signals through the active elements in the installation which could be affected.

Televes filters offer a huge range of solutions according to the frequency band that is used.

Cut off frequency choice must be according to DTT channels, meanwhile the format depends on the installation place of the filter (indoor or outdoor) and in the type of connector.

Mixer combines different signals from several antennas. It has a plastic enclosure which protect it from the weather conditions, it is usually installed in the same mast as the antennas.

INTERESTING FACTS

easyF format does not need connectors. The installation is easy, cheap and fast.

Filter's role in the installation is not only about the interferences, its specifications must be very detailed to not reduce the DTT range of frequencies.

Televes



CHARACTERISTICS

		REF.	FREQUENCY BANDS	INSTALLATION	CONNECTOR TYPE
LTE FILTERS		405101	UHF: 470...774 MHz Channels 21-58	OUTDOOR	EasyF
		405402	VHF/UHF: 47...782 MHz Channels 21-59	OUTDOOR	EasyF
		405401	VHF/UHF: 47...790 MHz Channels 21-60	OUTDOOR	EasyF
		403101	UHF: 470...774 MHz Channels 21-58	INDOOR	F
		403402	VHF/UHF: 47...782 MHz Channels 21-59	INDOOR	F
		403401	VHF/UHF: 47...790 MHz Channels 21-60	INDOOR	F
		404411	UHF: 470...774 MHz Channels 21-58	INDOOR	IEC
		404412	VHF/UHF: 47...790 MHz Channels 21-60	INDOOR	IEC

		REF.	FREQUENCY BANDS AND MIXED BANDS	INSTALLATION	CONNECTOR TYPE
MIXERS		433401	3 Inputs: VHF: 47...254 MHz UHF1: 470...790 MHz UHF2: 470...790 MHz	OUTDOOR	EasyF
		434001	2 Inputs: MATV: 5...790 MHz SAT: 950...2150	INDOOR	F

MORE INFO

REF.	405101	405402	405401	403101 / 404411	403402	
Frequency range	MHz	470 ... 774	47 ... 782	47 ... 790	470 ... 774	47 ... 782
Through loss at the edge of the frequency range	dB	1				
Rejected frequency range	MHz	791 ... 862	793 ... 862	791 ... 862	791 ... 862	
Attenuation in the rejected band	dB	>25	>25	>20	>25	>25
Protection Index	IP	23			20	
Dimensions	mm	88x79x42			64x34x22.5	
Weight	gr	220			80	

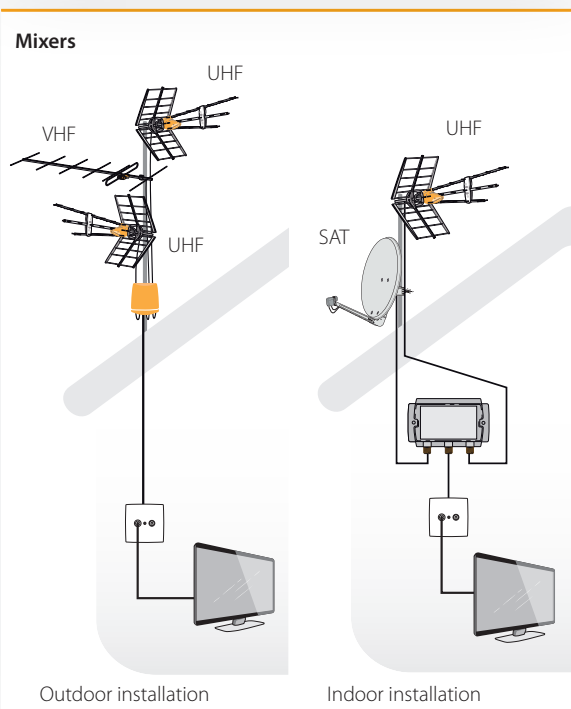
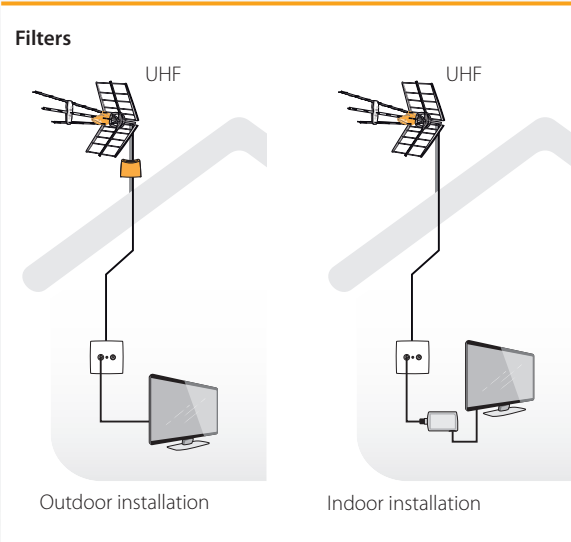


PACKING

REJECTION	TYPE	DIMENSIONS mm (x-y-z)	Qty	EAN13 CODE
MEDIUM	Box	126x95x45	10	8424450154588
HIGH	Box	90x81x45	10	8424450168448
HIGH	Box	90x81x45	10	8424450154595
MEDIUM	Box	80x36x25	10	8424450154564
HIGH	Box	80x36x25	10	8424450179017
HIGH	Box	80x36x25	10	8424450154571
MEDIUM	B3 Bag	122x78x30	10	8424450167823
HIGH	B3 Bag	122x78x30	10	8424450167830

DC PASS	BLISTER TYPE	DIMENSIONS mm (x-y-z)	Qty	EAN13 CODE
UHF1: 100 mA max.	T1	120x260x52	10	8424450183168
SAT: 1000 mA max.	TBA	TBA	TBA	8424450183175

EXAMPLE OF USE



403401 / 404412
47 ... 790
793 ... 862
>20

REF.	433401			434001	
Mixed Bands	VHF	UHF1	UHF2	MATV	SAT
Frequency range	MHz	47 ... 254	47 ... 790	5 ... 790	950 ... 2150
Insertion losses	dB	1	5	4	2
Isolation between inputs	dB	>40 (VHF-UHF) / >18 (UHF1-UHF2)			>20
DC pass (max.)	W				2
Protection Index	IP	23			20
Dimensions	mm	88x79x42			98x75x27
Weight	gr	220			220

MAST AMPLIFIERS WITH POWER SUPPLY



Mast amplifier main function is **amplify the signal received by the antenna without losing signal quality.**

Generally it is installed close to the antenna (in the mast) to avoid degradation and also an effective amplification.

This product range is characterized by a **low noise figure** (around 1 dB) which guarantees a high quality in DTT signal.

Power supply unit (PSU) must be installed indoor, plugged into the electrical network. It **sends the electrical current to the outdoor amplifier through the coaxial cable** which is used to carry the TV signal from the antenna to the television.

INTERESTING FACTS

The amplifier has a switch to activate DC pass, to share the electrical current with an upper intelligent antenna (BOSS).




Automatic PSU manufacture is subjected to a very restrictive safety standards, it is installed indoors. So, can be accessible by children and short circuits must be avoided.


Televes



CHARACTERISTICS



		REF.	INPUTS / BANDS	SPECIFIC INFORMATION
MAST AMP + POWER SUPPLY Kit		438640	AMP: 3 Inputs: VHF: 47...254 MHz UHF: 470...790 MHz SAT: 950...2150 MHz	AMP: - UHF Gain: 29 dB - USOS Technology (automatic) - Consumption: 40mA
			PSU: 1 Input 5 ... 2500 MHz	PSU: - Output voltage: 12 V - Output current: 220 mA - Consumption: 3.7 W
		438840	AMP: 3 Inputs: BI/FM: 47...108 MHz BIII/UHF: 174...254 / 470...790 MHz SAT: 950...2150 MHz	AMP: - UHF Gain: 27 dB - USOS Technology (automatic) - Consumption: 40mA
			PSU: 1 Input 5...2500 MHz	PSU: - Output voltage: 12 V - Output current: 220 mA - Consumption: 3.7 W

		REF.	FREQUENCY RANGE	SPECIFIC INFORMATION
POWER SUPPLY		550402	1 Input: 5...862MHz	- Output voltage: 24 V - Output current: 130 mA - Consumption: 3.6 W - 2 outputs

MORE INFO

REF. (KIT PRODUCT)		438640 (AMPLIFIER)			
Inputs / Bands		VHF	UHF	SAT	BI/FM
Frequency Range	MHz	47... 254	470...790	950 ... 2150	47...108
Gain	dB	-	28	-	-
Output Level (10 DTT Channels)	dBuV	-	94	-	-
Power Supply	Vdc	12...24			
Max current through inputs	mA	-	40	300	-
Protection index	IP	23			
Dimensions	mm	68x50x29			
Weight	gr	150			

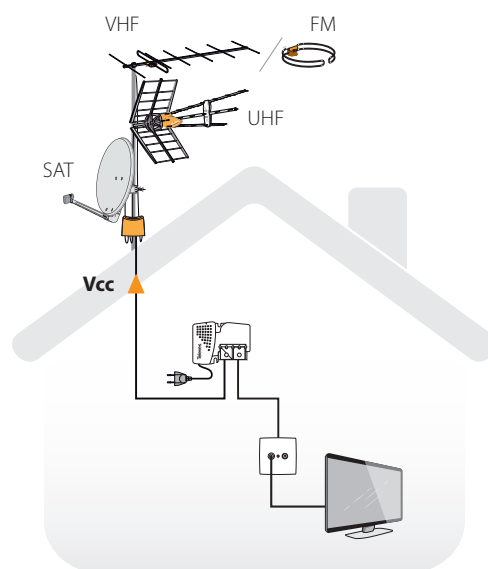


PACKING

EXAMPLE OF USE

INSTALLATION	CONNECTOR TYPE	BLISTER TYPE	DIMENSIONS mm (x-y-z)	Qty	EAN13 CODE
AMP: OUTDOOR	EasyF	T1	120x260x54	8	8424450175019
PSU: INDOOR					
AMP: OUTDOOR	EasyF	T1	120x260x54	8	8424450175026
PSU: INDOOR					

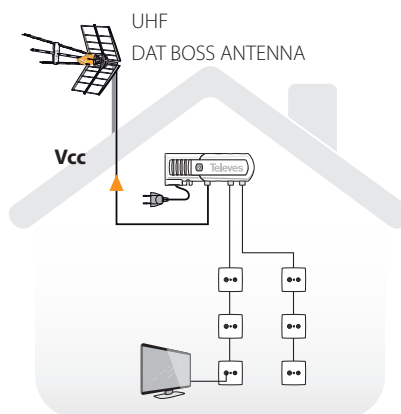
Mast Amplifier + PSU



VHF or FM antenna according to reference

INSTALLATION	CONNECTOR TYPE	BLISTER TYPE	DIMENSIONS mm (x-y-z)	Qty	EAN13 CODE
INDOOR	F	T1	120x260x40	8	8424450141885

PSU



438840 (AMPLIFIER)	
BIII / UHF	SAT
174...254 470...790	950...2150
20 / 27	-
- / 94	-
12..24	
40	300

REF. / KIT PRODUCT		438640 / 438840 (PSU)	550402
Outputs		1	2
Frequency Range	MHz	5...862	5...2400
Insertion losses	dB	1.5	1.5 (1 output) / 4 (2 outputs)
Mains voltage (50/60Hz)	Vac	196...264	
Output level	Vdc	12	24
Output current	mA	220	130
Protection index	IP		20
Dimensions	mm	86x65x26	145x45x35
Weight	gr	130	220

DOMESTIC AMPLIFIERS



Generally, these amplifiers are made to **increase the number of outlets in a distribution network**, draw from an outlet which already exists. **TV output** offers a lower gain that allow to connect it directly to the television.

The switched power supply is compact and has a **very low consumption** (50% less than standard amplifiers) and it helps to respect the environment.

With an **attractive appearance** adapted to the room installation, these amplifiers are shielded against interferences.

This range offers multiple options to choose the correct product depending on each installation: "F" or "IEC" (9.52) connector, different number of outputs, w/o return channel and capacity to distribute SAT frequencies.

INTERESTING FACTS

Due to interior installation of amplifiers, automatic manufacture is subjected to a very restrictive safety standards. So, can be accessible by children and short circuits must be avoided.

Televés amplifiers could be used as compact headers, keep in mind the coaxial cable length.

Televés



CHARACTERISTICS



MATV DTT



REF.	FREQUENCY RANGE	NUMBER OF OUTPUTS	CONNECTOR TYPE
552740	VHF/UHF: 47...790 MHz	1 Output: 1 Standard	IEC
552840	VHF/UHF: 47...790 MHz	3 Outputs: 2 Standard + 1 TV Output	IEC
552240	VHF/UHF: 47...790 MHz	3 Outputs: 2 Standard + 1 TV Output	F
552940	VHF/UHF: 47...790 MHz	5 Outputs: 4 Standard + 1 TV Output	IEC
552340	VHF/UHF: 47...790 MHz	5 Outputs: 4 Standard + 1 TV Output	F
5531	VHF/UHF: 47...862 MHz	6 Outputs: 6 Standard	F

CATV Cable Networks



REF.	FREQUENCY RANGE	NUMBER OF OUTPUTS	CONNECTOR TYPE
553301	Return Channel: 5...30 MHz VHF/UHF: 47...862 MHz	1 Output: 1 Standard	F
553501	Return Channel: 5...30 MHz VHF/UHF: 47...862 MHz	1 Output: 1 Standard	F
5525	Return Channel: 5...65 MHz VHF/UHF: 88...862 MHz	3 Outputs: 2 Standard + 1 TV Output	F
5520	Return Channel: 5...65 MHz VHF/UHF: 88...862 MHz	3 Outputs: 2 Standard + 1 TV Output	F
5526	Return Channel: 5...65 MHz VHF/UHF: 88...862 MHz	3 Outputs: 2 Standard + 1 TV Output	F

SMATV



REF.	FREQUENCY RANGE	NUMBER OF OUTPUTS	CONNECTOR TYPE
5530	Return Channel: 5...30 MHz VHF/UHF: 47...862 MHz SAT: 950...2150 MHz	3 Outputs: 2 Standard + 1 TV Output	F

MORE INFO

REF.	552740	552840	552240	552940
Frequency range	MHz	47...790		
Gain	dB	25	20 (12 @ TV)	16 (11 @ TV)
Gain Adjustment	dB	12		
Output Level (DIN45004B)	dBuV	112	106	102
AC Consumption	W	2		
Protection Index	IP			
Dimensions	mm	145x45x35		
Weight	gr			



PACKING

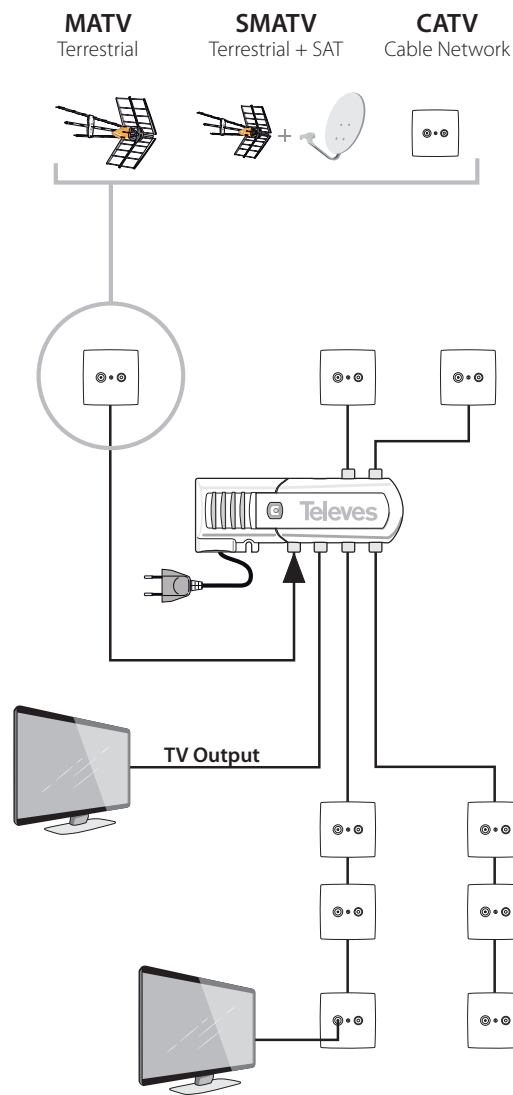
GAIN	BLISTER TYPE	DIMENSIONS mm [x-y-z]	Qty	EAN13 CODE
25dB	T1	120x260x40	8	8424450170458
20 dB TV Output: 12 dB	T1	120x260x40	8	8424450170595
20 dB TV Output: 12 dB	T1	120x260x40	8	8424450170588
16 dB TV Output: 11 dB	T1	120x260x40	8	8424450170625
16 dB TV Output: 11 dB	T1	120x260x40	8	8424450170601
16 dB	T1	120x260x40	8	8424450119396

GAIN	BLISTER TYPE	DIMENSIONS mm [x-y-z]	Qty	EAN13 CODE
24 dB Return Channel: Passive	T1	120x260x40	8	8424450122112
34 dB Return Channel: Passive	T1	120x260x40	8	8424450122136
18 dB TV Output: 12dB Return Channel: Passive	T1	120x260x40	8	8424450055250
20 dB TV Output: 13 dB Return Channel: Passive	T1	120x260x40	8	8424450055205
20 dB TV Output: 13dB Return Channel: 9 dB	T1	120x260x40	8	8424450055267

GAIN	BLISTER TYPE	DIMENSIONS mm [x-y-z]	Qty	EAN13 CODE
MATV: 18 dB, TV Output 10dB SAT: 20 dB, TV Output: 12 dB Return Channel: Passive	T1	120x260x40	8	8424450055304

EXAMPLE OF USE

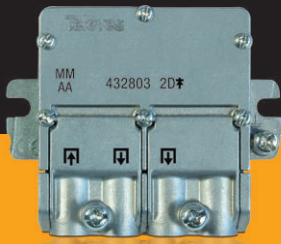
Domestic Amplifiers



Connector type and number of outputs according to reference

552340	5531	553301	553501	5525	5520	5526	5530
	47...862	5...30 / 47...862	5...30 / 47...862	5...65 / 88..862	5...65 / 88..862	5...65 / 88..862	5...30 / 47...862 / 950...2150
16 (11 @TV)	16	- / 24	- / 34	- / 18 (12 @TV)	- / 20 (13 @TV)	9 / 20 (13 @TV)	(- / 10 / 12 @TV)
			18			12	
102	103	- / 112	- / 112	- / 106	- / 107	109 / 107	- / 105 / 110
		3.5			2		6
		20					
145x60x35				145x45x35			
		220					

SPLITTERS



Splitters are elements which can **distribute the received signal (DTT, Cable or SAT operators) through several outputs**. The signal is the same on each splitter output.

This range of products have different connectors types, for an indoor installation or a plastic enclosure due to outdoor installations.

EasyFseries connector, made in Zamak, has a superior Class A shield against electromagnetic interferences and an optimal electrical performance.

Professional splitters for all installation types (indoor or outdoor).




Inductive splitters (T pattern) are a simple solution to split the TV connector from the outlet.

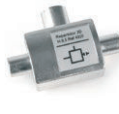
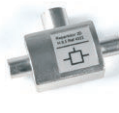
INTERESTING FACTS

EasyF connection does not need "F" connectors. This gives rise to time and cost savings, improving connection reliability.

Televes

CHARACTERISTICS

	REF.	FREQUENCY RANGE	NUMBER OF OUTPUTS	ASSEMBLY	CONNECTOR TYPE
EASYF professional splitters	 432803	MATV/SAT: 5...2400 MHz	2	INDOOR	EasyF
	 434103	MATV/SAT: 5...2400 MHz	2	OUTDOOR (case included)	EasyF
	 432902	MATV/SAT: 5...2400 MHz	4	INDOOR	EasyF
	 434202	MATV/SAT: 5...2400 MHz	4	OUTDOOR (case included)	EasyF

	REF.	REQUENCY RANGE	NUMBER OF OUTPUTS	CONNECTOR TYPE
INDUCTIVE T splitter	 4320	VHF/UHF	2	IEC: Input : Female Output 1 : Female Output 2 : Male
	 4322	VHF/UHF	2	IEC: Input : Female Output : Male

MORE INFO

REF.	432803	434103	432902	434202	
Frequency range	MHz	5...2400			
Insertion loss	dB	MATV: 4.3 SAT: 4	MATV: 9 SAT: 7.5		
Rejection between outputs	dB	>15		MATV: >17 SAT: >15	
Max Current through Out - In	mA	300			
Max voltage	Vdc	40			
Protection Index	IP	20	23	20	23
Dimensions	mm	57x47x13	68x50x29	69x55x15	
Weight	gr	56	135	166	280



PACKING

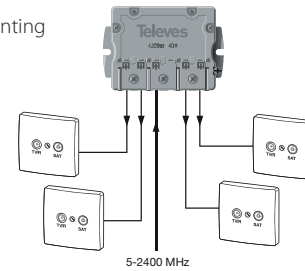
DC BYPASS	TYPE	DIMENSIONS mm (x-y-z)	Qty	EAN13 CODE
From the whole outputs to the input	B3 Bag	78x122x19	8	8424450173329
From the whole outputs to the input	T1 Blister	260x120x52	10	8424450170113
From the whole outputs to the input	T1 Blister	120x260x41	8	8424450143551
From the whole outputs to the input	T1 Blister	120x260x40	8	8424450143575

DC BYPASS	BAG TYPE	DIMENSIONS mm (x-y)	Qty	EAN13 CODE
From input to output number 2 (male)	B1	54x125	10	8424450043202
From the whole outputs to the input	B1	54x125	10	8424450043226

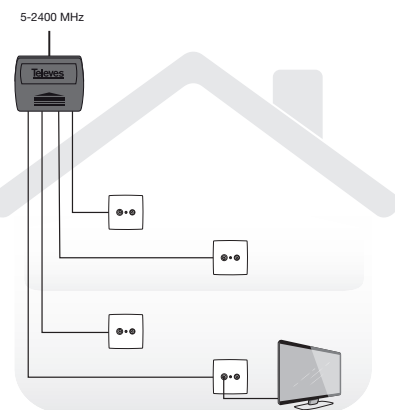
EXAMPLE OF USE

Professional splitters

Indoor mounting

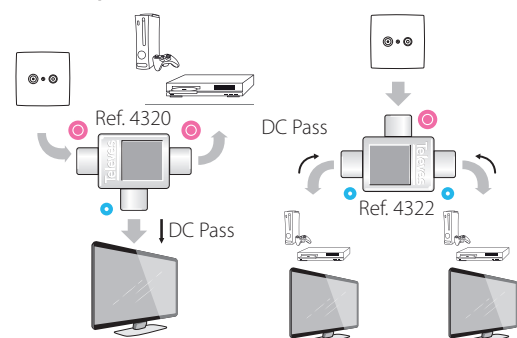


Outdoor mounting



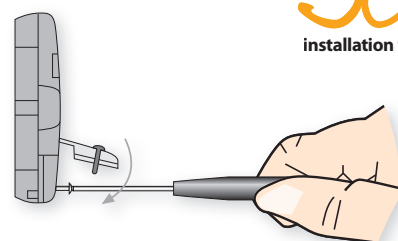
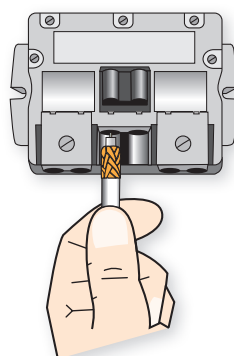
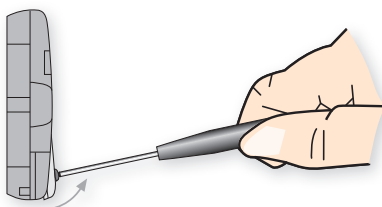
Number of outputs according to reference.

Inductive splitters



Discover the connection system

easyF

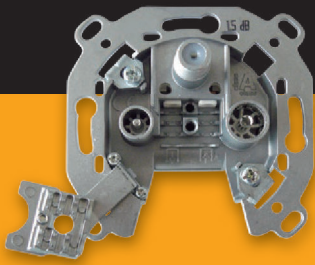


Reduce a

50%

installation time

OUTLETS & ACCESSORIES



TV outlet is the **last TV distribution point**, at the entrance it receives the whole signal and detaches TV signal (terrestrial or satellite) from FM signal (radio). Chassis has been designed to make it easy:

- **Coaxial cable connection:** conical inner conductor guide, tilting embedded claw and the grab system offers a solid connection without screws.
- **Outlet installation,** thanks to the embedded claw to mounting without screws.





INTERESTING FACTS



Televés outlets admit inner conductors from Ø 0.65 to 1.2 mm which make it compatible with the most common coaxial cables.

Use white face plates (included) to hide the outlet in an aesthetic and elegant way.

Televés

CHARACTERISTICS

		REF.	OUTLET TYPE	FREQUENCY RANGE	CONNECTOR TYPE
OUTLETS Radio, Terrestrial TV an Satellite		4372	END	VHF/UHF: 5...862 MHz	TV: IEC Male FM: IEC Female
		4373	THROUGH	VHF/UHF: 5...862 MHz	TV: IEC Male FM: IEC Female
		4301	END	VHF/UHF/SAT: 5...2150 MHz	TV/FM: IEC Male SAT: IEC Female
		4335	BRIDGED	-	TV: IEC Male FM: IEC Female

		REF.	DESCRIPTION	USE
ACCESSORIES outlets		4336	Back Box	Surface Mounting
		4315	Adjustable Attenuator	TV signal level reduction to avoid problems caused by saturation or a excessive signal level

MORE INFO

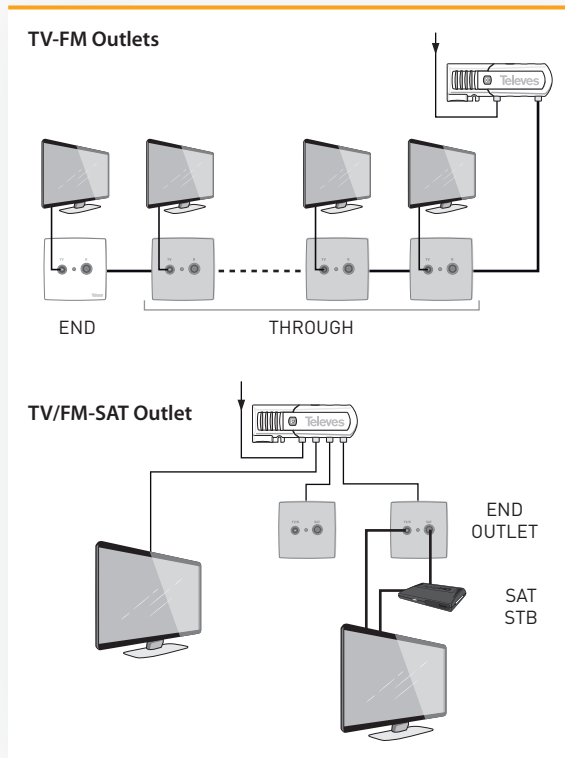
REF.	4372		4373		4301		4335	
Outputs	TV	FM	TV	FM	TV/FM	SAT	TV	FM
Tap losses	dB	4.5	18	9.5	24	0.6	1.5	<2
Step losses	dB	-	-	1.3	-	-	-	-
DC current through	mA	No	No	No	SAT -> Input	-	All	-
Dimensions	mm	80x80x7						
Weight	gr	80	80	80	140	100	100	100



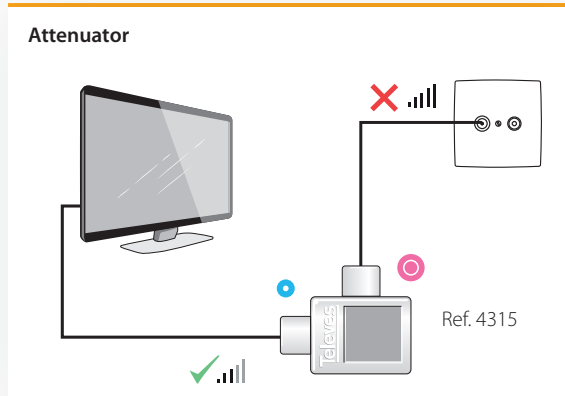
PACKING

ACCESSORIES	BLISTER TYPE	DIMENSIONS mm [x-y-z]	Qty	EAN13 CODE
White TV-R Face Plate	T1	120x260x41	8	8424450043721
White TV-R Face Plate	T1	120x260x41	8	8424450043738
White TV/R-SAT Face Plate	T1	120x260x41	8	8424450043011
White TV-R Face Plate Surface Mounting Base Screws	T1	120x260x41	8	8424450043356

EXAMPLE OF USE



CHARACTERISTICS	TYPE	DIMENSIONS mm [x-y-z]	Qty	EAN13 CODE
Screws are included	T1 Blister	268x166x40	10	8424450043363
Adjustment 1...25 dB IEC connectors (Female input - Male output)	B1 Bag	54x125	10	8424450043158

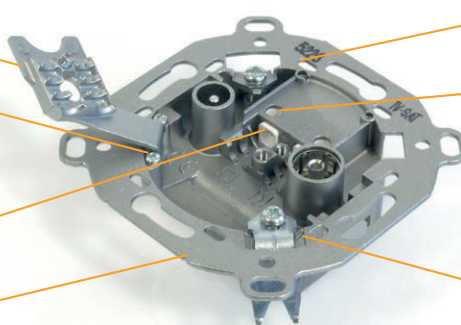


180° degrees opening clamp

Clamp retention system

The inner conductor guide to ease the connection

Specially designed chassis to ease cutting

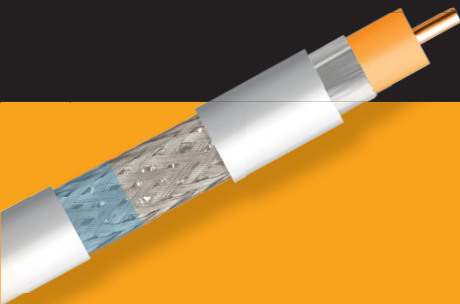


Screenprinted reference

Pressure ports to free the inner conductor

Embedded claw to mounting without screws

COAXIAL CABLE & ACCESSORIES



Coaxial cable is an essential element which determinates the quality of the signal. There are many parameters that establish the coaxial cable performance, however it is possible to **guarantee an excellent quality** choosing the correct inner conductor and shield.

Copper inner conductor (Cu), offers low electrical resistance and excellent response to low and high frequencies.

The shield capability against interferences is due to the braid and the foil. Class A+ cables are the best ones against interferences, they are made with a **triple shield (braid + 2 foils)**

These cables have the best protection against LTE/4G and other interferences.

INTERESTING FACTS

SK2000+ is a high quality cable recognised by DIBKOM, the Telecommunication German Institute, where has been subjected to strict certification tests.



CHARACTERISTICS

	REF.	DESCRIPTION	MATERIAL	SHEATH
3x SHIELD Trishield	4138	SK2000+ 18VAtC	Inner conductor: copper Braid: Tinned copper (98% Cu)	Triple, Class A+ Braid coverage: 82%
	414001	SK2003+ 18VAtC	Inner conductor: copper Braid: tinned copper (98% Cu)	Triple, Class A+ Braid coverage: 82%
	413705	SK110+ 18VAtC	Inner conductor: copper Braid: tinned copper (98% Cu)	Triple, Class A+ Braid coverage: 55%
	413601	SK100+ 18VAtC	Inner conductor: copper Braid: aluminium	Triple, Class A+ Braid coverage: 60%
	414801	SK6F+ 19VAtC.A	Inner conductor: copper-clad steel Braid: aluminium	Triple, Class A+ Braid coverage: 60%

	REF.	DESCRIPTION	MATERIAL	SHEATH
2x SHIELD	4371	17VAtC.A	Inner conductor: copper-clad steel Braid: aluminium	Double, Class A Braid coverage: 77%
	435501			

	REF.	DESCRIPTION	USE
ACCESSORIES	4360	Opened clip	Coaxial cable setting over the wall or a sharp
	2162	Cable Stripper	Remove sheath and braid from a coaxial cable to setting up the connectorization

MORE INFO

Trishield Televes cables: 100% certificated.

Televes Cable Certification center checks each centimeter to detect eventual defects. Certification consists in analyze different cable parameters and guarantee:

- Copper quality (generally), from dielectric, foil, braid and sheath.
- Attenuation, electrical DC resistance and length parameters.
- Availability, capability and manufacturing flexibility.



PACKING

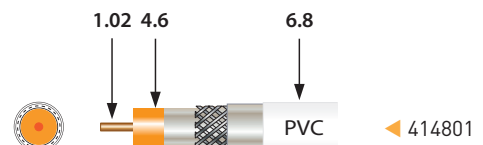
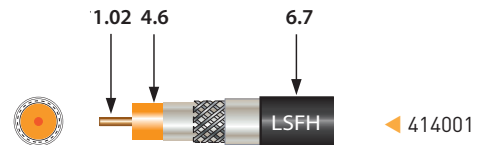
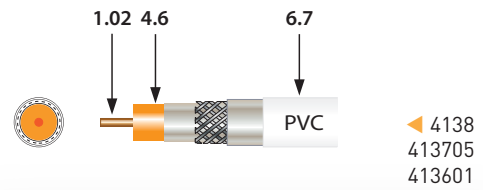
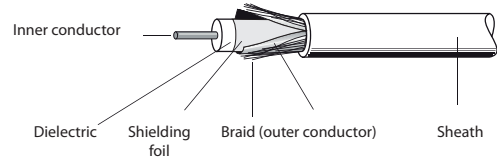
SHEATH (USE)	COLOR	LENGTH	TYPE	DIMENSIONS mm [x-y-z]	Qty	EAN13 CODE
PVC (Indoor)	Ⓜ	100 m	Plastic Reel	270x270x137	1 / 5 (100 / 500m)	4031136021917
LSFH UV resistant (Outdoor)	Ⓟ	100 m	Plastic Reel	270x270x137	1 / 5 (100 / 500m)	8424450152324
PVC (Indoor)	Ⓜ	100 m	Plastic Reel	270x270x137	1 / 5 (100 / 500m)	8424450174258
PVC (Indoor)	Ⓜ	100 m	Plastic Reel	270x270x137	1 / 5 (100 / 500m)	8424450174173
PVC (Indoor)	Ⓜ	100 m	Plastic Reel	270x270x137	1 / 5 (100 / 500m)	8424450170106

SHEATH (USE)	COLOR	LENGTH	TYPE	DIMENSIONS mm [x-y-z]	Qty	EAN13 CODE
PVC (Indoor)	Ⓜ	10 m	T2 Blister	166x268x64	10	8424450043714
		20 m	Reel	120x260x40	1	8424450167465

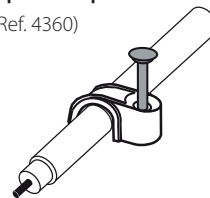
CHARACTERISTICS	BAG TYPE	DIMENSIONS mm [x-y]	Qty	EAN13 CODE
White color 25 units kit	B1	54x125	10	8424450043608
Orange color	B2	90x230	10	8424450170595

EXAMPLE OF USE

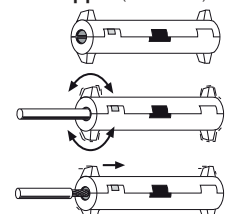
Coaxial cable structure



Opened clip (Ref. 4360)



Cable stripper (Ref. 2162)



Final reels are checked one by one so that all of them which are sent to clients **have been certificated and checked.**



COAXIAL CABLE LEADS



Preconnected cable lead range for different coaxial cables and connectors.

Connection could be type "F", usually used in satellite TV or "IEC" typically used in DTT.

Compression connectors offer a solid an professional cable connection with only one use. Furthermore, **PRO EasyF** connectors could be removed easily from the cable and without alteration. It allows to make shorter cable leads.

PRO EasyF connectors have a higher shield, Class A+ type, according to the SK2000+ cable (also Class A+)

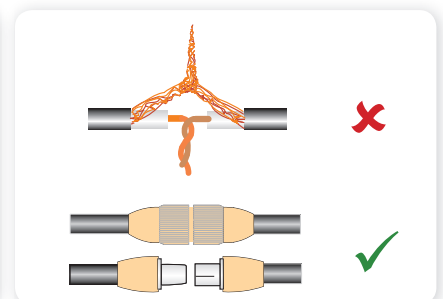
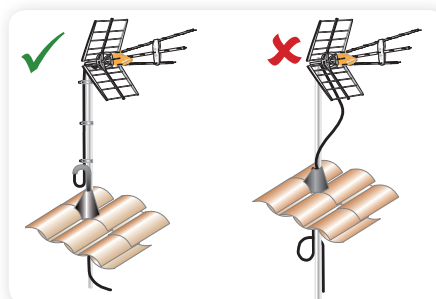
CHARACTERISTICS

	REF.	CABLE TYPE	CONNECTOR TYPE	SHEATH
3x SHIELD Trishield Cable Leads	3851	SK2000+	F	PVC
	385101	18VAatC	Male-Male	
	385102	Trishield	Compression	
	3852	SK2000+	IEC	PVC
	385201	18VAatC	Male - Female	
	385202	Trishield	Compression	
	3853	SK2000+	F - "Quick F"	PVC
	385301	18VAatC	Male - Male	
	385302	Trishield	Compression - PRO EasyF	
	3854	SK2000+	F - IEC	PVC
	385401	18VAatC	Male - Female	
	385402	Trishield	Compression	
3856	SK2000+	F - IEC	PVC	
385601	18VAatC	Male - Male		
385602	Trishield	Compression		
3858	SK2000+	IEC	PVC	
385801	18VAatC	Male - Female		
385802	Trishield	Compression - PRO EasyF		
385501	SK2000+	F - IEC	PVC	
		18VAatC	Male - Female	
		Trishield	Compression - PRO EasyF	
385701	SK2000+	F - IEC	PVC	
		18VAatC	Male - Male	
		Trishield	Compression - PRO EasyF	

	REF.	CABLE TYPE	CONNECTOR TYPE	SHEATH
2x SHIELD Cable Leads	431001	T200+ - 15VRtC	IEC	LSFH
	431002	Dual - Shield	Male - Female	
	4389	Dual - Shield	PRO EasyF (Class A+)	PVC
	4312		IEC	
	4311		Male - Female	
	4314			

MORE INFO

Coaxial cable is not an electrical cable. Junction must be made properly.



INTERESTING FACTS

Cable connectors with higher shield will protect TV signal from LTE/4G interferences emitted by nearest mobile phones.

LSFH cables (*Low Smoke Free Halogen*) have a fire retardant cover and the smoke is not toxic.

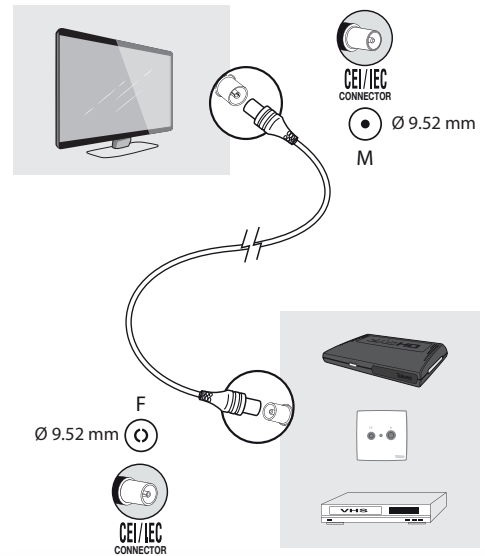


PACKING

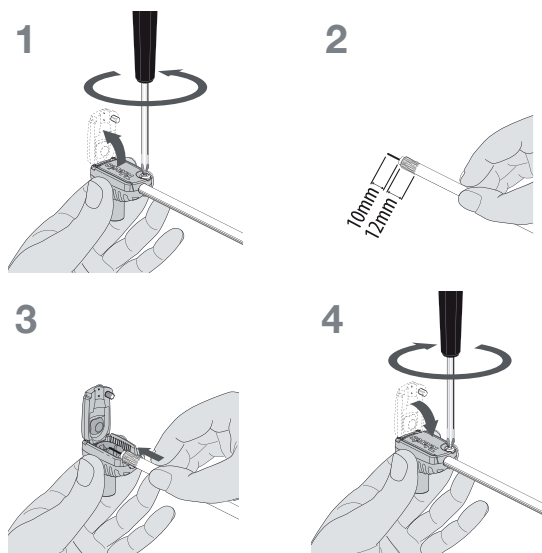
EXAMPLE OF USE

COLOR	LENGTH	BAG TYPE	DIMENSIONS mm (x-y)	Qty	EAN13 CODE
W	1.5 m	B0	200x305	30	4031136022068
	3 m			20	4031136022075
	5 m			15	4031136022082
W	1.5 m	B0	200x305	30	4031136022150
	3 m			20	4031136022167
	5 m			15	4031136022174
W	1.5 m	B0	200x305	30	4031136022198
	3 m			20	4031136022204
	5 m			15	4031136022211
W	1.5 m	B0	200x305	30	4031136022129
	3 m			20	4031136022136
	5 m			15	4031136022143
W	1.5 m	B0	200x305	30	4031136022099
	3 m			20	4031136022105
	5 m			15	4031136022112
W	1.5 m	B0	200x305	30	4031136022228
	3 m			20	4031136022235
	5 m			15	4031136022242
W	3 m	B0	200x305	20	4031136022266
				20	4031136022297

TV Cable lead

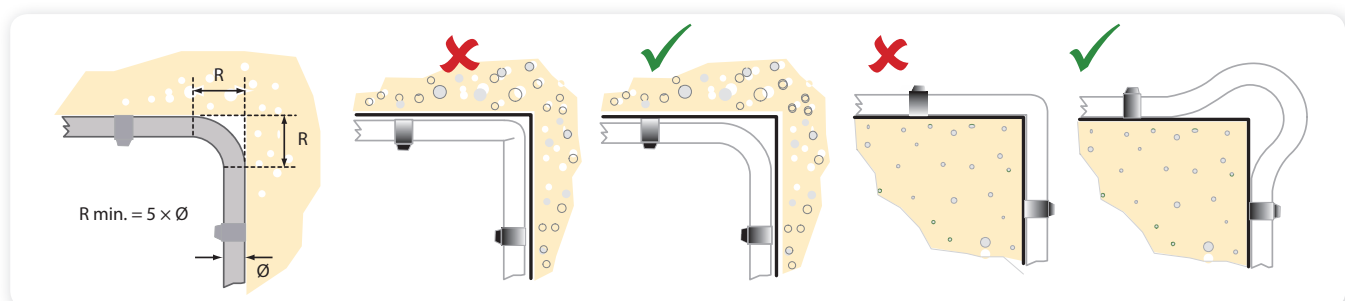


Follow this steps to adapt the cable lead length.



COLOR	LENGTH	BLISTER TYPE	DIMENSIONS mm (x-y-z)	Qty	EAN13 CODE
G	1.5 m	T1	120x260x41	8	8424450160541
	2.5 m	T1	268x166x40	10	8424450160626
W	1.5 m	T1	120x260x41	8	8424450043899
B	1.5 m	T1	120x260x41	8	8424450043127
W	2.5 m	T1	122x166x45	6	8424450043110
B	2.5 m	T1	120x260x41	8	8424450043141

Keep in mind that coaxial cable has a minimum bending radius to be respected.



COAXIAL CONNECTORS



There are 2 types of connectors in the world of antennas: "F" and "IEC".

Regardless connector type, **shield and a easy mounting system** are the main parameters to choose the connector type.

Televes range offers zamak connectors with a superior shield, simple connectors and ABS plastic connectors (only a little part to avoid deformation or break during the assembly).

INTERESTING FACTS

Elbowed connector reduces the connection place behind the TV / receiver.

There is a "Quick F" connector also, similar to "F" connector but it can be plugged without screw it.

Televes

CHARACTERISTICS

		REF.	TYPE	MOUNTING	SHIELD
IEC DTT		437401	IEC Male	PRO EasyF	Class A+
		437501	IEC Female	PRO EasyF	Class A+
		437601	IEC Male + IEC Female	PRO EasyF	Class A+
		4305	IEC Male	Screw	Standard
		4303	IEC Female	Screw	Standard
		4316	IEC Male + IEC Female	Screw	Standard

		REF.	TYPE	MOUNTING	SHAPE
"F" TV SATELLITE		4306	F Male	Screw	Straight
		4317	F Male	Screw	Straight

		REF.	ADAPTER TYPE	MOUNTING
ADAPTERS		4307	F Female - F Female	Screw
		4309	Joint without connectors	Screw

MORE INFO

Know more about **EasyF** connectors:

easyF

Professional "PRO EasyF" connectors offer several benefits thanks to "Easy F" assembly:

- **Easy mounting system.** Coaxial cable connection becomes a fast operation in 3 simple moves. With a single screw to grab and close the connector, the cable is strongly assembled ensuring a safe and a reliable connection.



PACKING

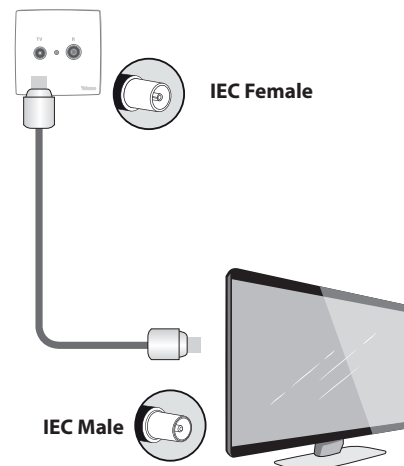
SHAPE	UNITS PER BAG	BAG TYPE	DIMENSIONS mm (x-y)	Qty	EAN13 CODE
Elbowed	1 u.	B1	54x125	10	8424450133644
Elbowed	1 u.	B1	54x125	10	8424450133675
Elbowed	2 u. (pair)	B1	54x125	10	8424450133712
Straight	1 u.	B1	54x125	10	8424450043059
Straight	1 u.	B1	54x125	10	8424450043035
Straight	2 u. (pair)	B1	54x125	10	8424450043165

ACCESSORIES	UNITS PER BAG	BAG TYPE	DIMENSIONS mm (x-y)	Qty	EAN13 CODE
Waterproof cap	1 u.	B1	54x125	10	8424450043066
F	2 u.	B1	54x125	10	8424450043172

SHAPE	UNITS PER BAG	BAG TYPE	DIMENSIONS mm (x-y)	Qty	EAN13 CODE
Straight	1 u.	B1	54x125	10	8424450043073
Straight	1 u.	B1	54x125	10	8424450043097

EXAMPLE OF USE

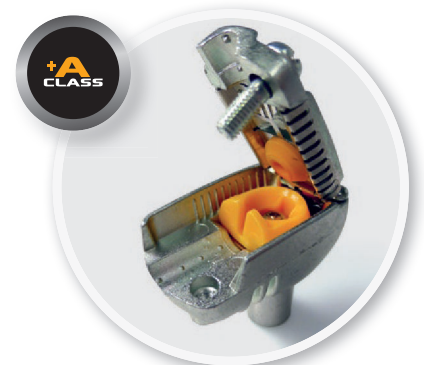
IEC connector



F connector



- **Shield.** Class A+ protection against interfering LTE / 4G signals.
- **Quality.** Zamak manufacturing with RCP (Reactive Coating Process) which guarantees long durability. Robotic production ensures reliability.



AUDIO/VIDEO & OPTICAL FIBRE



SCART is the most used connection between electronic and multimedia equipment at home.

Nevertheless, HDMI head the list of digital A/V connection. We have a cable (in this range) "High Speed HDMI Cable with Ethernet" which is compatible with 4K technology (UltraHD or UHD).

Optical fibre is currently used in a large number of homes. Fibre optic single patch cord allows you to connect an optical router to an optical outlet. "SC/APC" are the most used connectors between fibre optic devices.

INTERESTING FACTS

Televés works with HDMI licenses, which is a standard that includes royalties. Its cables respect all the specifications and quality standards of the HDMI certification.

In case that fibre optic must be rolled, it is important to keep a minimum bending radius (8cm). It improves transmission and prevents signal loss.

Televés



CHARACTERISTICS

	REF.	TYPE	CONNECTOR	COMPATIBILITY
HDMI	494501	A/V Extender	HDMI Male - HDMI Male High Speed with Ethernet	4K
	494502	A/V Extender	HDMI Male - HDMI Male High Speed with Ethernet	4K
	494503	A/V Extender	HDMI Male - HDMI Male High Speed with Ethernet	4K



	REF.	TYPE	CONNECTOR
SCART	4319	A/V Extender	SCART Male - SCART Male 21 PIN
	4377	A/V Extender	SCART Male - 2RCA Male



	REF.	TYPE	CONNECTOR
OPTICAL FIBRE	433301	Monomode Optic Fibre Patch cord	SC/APC Male - SC/APC Male

MORE INFO

Fibre optic work tips:

- If the patch cord is connected to a laser source do not look directly to both ends.
- Optical signal could be reduced if any scratch, impurity, grease residue or sweat go into the connector so, handle it with caution.
- As a result of the last tips, is advisable to save the protection caps and place it again when the connectors are open.
- If it was necessary to roll the patch cord, it is important to keep a minimum bending radius (8cm for a patch cord). It improves transmission and prevents signal loss.



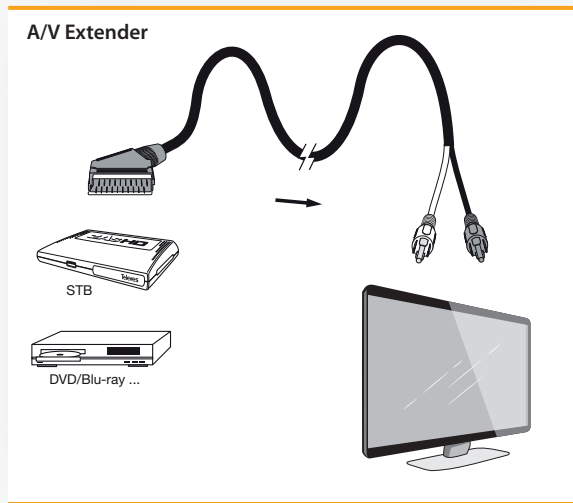
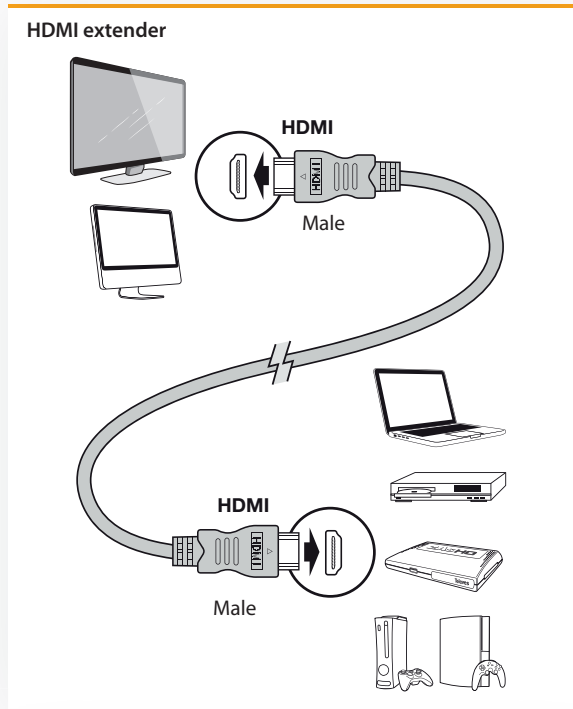
PACKING

COLOR	LENGTH	BLISTER TYPE	DIMENSIONS mm (x-y-z)	Qty	EAN13 CODE
B	1.5 m	T1	120x260x41	8	8424450144152
B	3 m	T2	166x268x64	10	8424450146019
B	5 m	T2	166x268x64	10	8424450146026

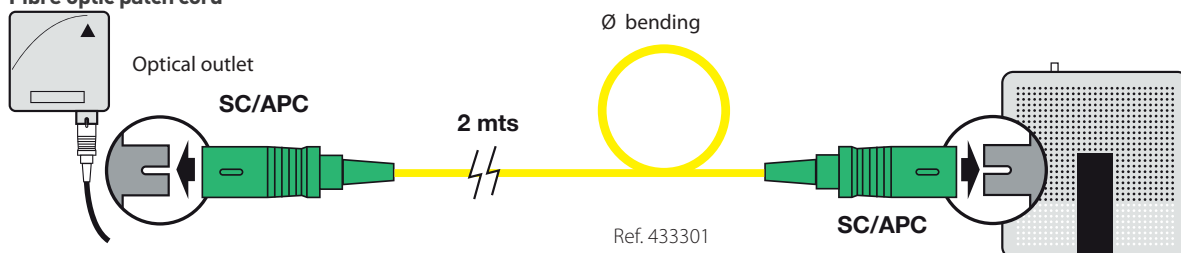
COLOR	LENGTH	BLISTER TYPE	DIMENSIONS mm (x-y-z)	Qty	EAN13 CODE
B	1.2 m	T1	268x166x40	10	8424450043196
B	1.5 m	T1	120x260x29	10	8424450043776

COLOR	LENGTH	BLISTER TYPE	DIMENSIONS mm (x-y-z)	Qty	EAN13 CODE
Yellow	2 m	T1	120x260x29	10	8424450174050

EXAMPLE OF USE



Fibre optic patch cord



DIGITAL SET-TOP BOXES



High definition digital set-top boxes range to receive DTT, HbbTV or free to air satellite services. The ideal solution for TVs without the suitable tuner.

The zAs series set-top boxes are made in Europe through an automated and robotic process. This manufacturing guarantees quality, reliability and low consumption.

INTERESTING FACTS

Get the interactive services provided by the new television. The zAs Hbb gives your TV an Internet connection to access any VoD content (series, movies, documentaries and programs already issued) in addition to conventional programs of DTT (HDTV included).

Just connect zAs Hbb to Internet and you will receive the contents that your operator offers with the possibility to handle the playback control (rewinding, pause, play...).

Televes



CHARACTERISTICS

	REF.	DESCRIPTION	CHARACTERISTICS
TERRESTRIAL DTT	511501	zAs Hbb A hybrid set-top-box for digital terrestrial TV	<ul style="list-style-type: none"> DVB-T Standard HbbTV compatible MPEG2 (SD) & MPEG4 (HD) Video LCN compatible Teletext compatible Parental Code PVR function & TimeShift with USB Multimedia player: video, audio and pictures (via USB) Software update (USB or IP) Low consumption

	REF.	TYPE	CHARACTERISTICS
SATELLITE Free-to-air services	717501	zAs HD SAT A set-top box for the digital TV by satellite	<ul style="list-style-type: none"> DVB-S / DVB-S2 Standards MPEG2 (SD) & MPEG4 (HD) Video DiSEqC 1.2 compatible, USALS motorization, LNB unicable Teletext compatible Parental code PVR function & TimeShift with USB Multimedia player: video, audio and pictures (via USB) Software update (USB) Low consumption
SATELLITE	7118	RSD A set-top box for the digital TV by satellite	<ul style="list-style-type: none"> DVB-S Standard MPEG2 (SD) Video DiSEqC 1.2 compatible, USALS motorization, LNB unicable Teletext compatible Parental code Software update (RS-232) RF Modulator Games Low consumption

MORE INFO

zAs Hbb

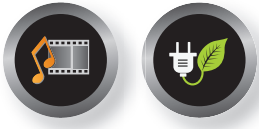
HYBRID STB FOR RECEPTION OF

HbbTV

You decide what to watch

HbbTV, VOD television for free and with contents to the whole family.

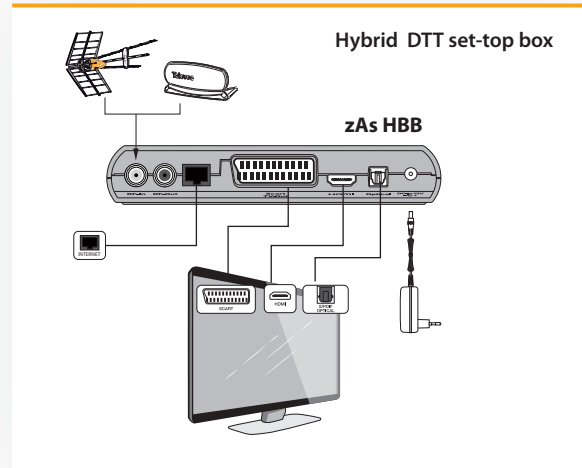




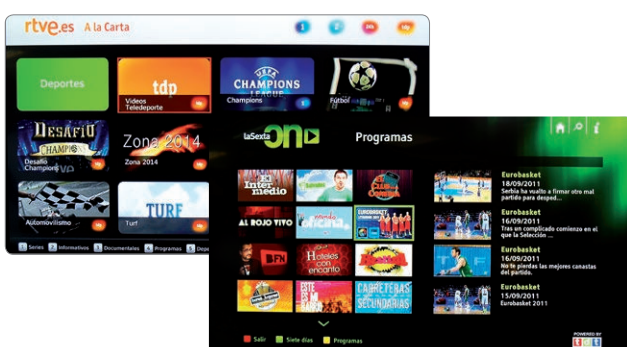
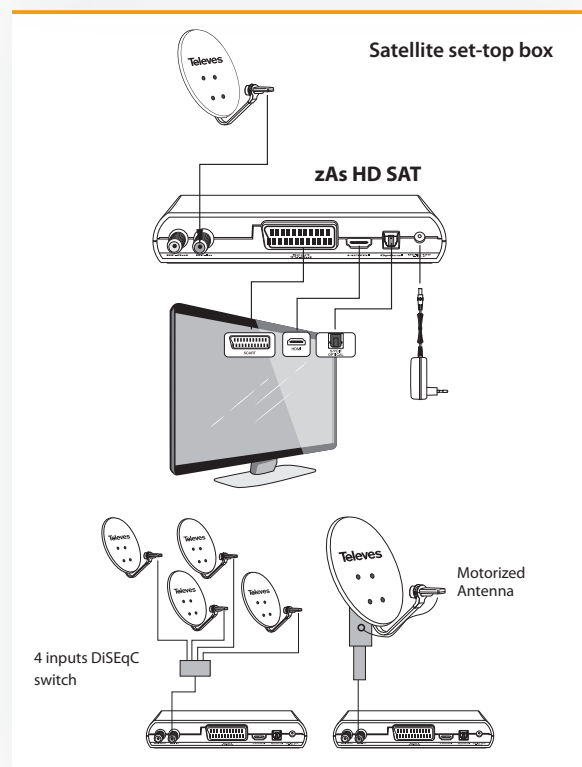
PACKING

EXAMPLE OF USE

CONNECTOR	INCLUDED ACCESSORIES	TYPE	DIMENSIONS mm [x-y-z]	Qty	EAN13 CODE
IEC 9,52 antenna SCART HDMI Optical Audio USB 2.0 RJ45 internet	HDMI Cable Coaxial cable lead Remote control (batteries incl.) AC Supply User Manual	Box	200x218x60	1	8424450163757



CONNECTOR	INCLUDED ACCESSORIES	TYPE	DIMENSIONS mm [x-y-z]	Qty	EAN13 CODE
F antenna SCART HDMI Optical Audio USB 2.0	HDMI Cable Remote control (batteries incl.) AC Supply User manual	Box	200x218x60	1	8424450148846
F antenna SCART 3RCA RS-232	Remote control (batteries incl.) AC Supply (integrated) User manual	Box	372x200x55	1	8424450133996



The table from below shows what types of multimedia files can be reproduced with zAs set-top boxes:

File type	Extension	Video codec	Audio codec
MP4	MP4	MPEG4 H.264	AAC
WAV	WAV		PCM MP3
MATROSKA	MKV MKA	MPEG4 H.264	AC-3 MP2 MP3 AAC
AVI	AVI	XVID (MPEG4-ASP)	AC-3 MP2 MP3

AUDIO/VIDEO & IR TRANSMISSION



This range is composed by **devices which transport signals where it is necessary in the house**, using different means of transmission:

DigiDom A/V Kit: audio, video and IR transmission without cables.

DigiDom IR Kit: infrared transmission (IR) without cables. Universal system to extend the remote control range.

Coax IR Kit: infrared transmission through coaxial cable.

INTERESTING FACTS

Coaxial cable transmission always be stronger than one without cables, less sensitive to interferences (WiFi signals, fluorescent or neon lights, microwaves, etc) and is not affected by walls or another obstacles.

Televes



CHARACTERISTICS

	REF.	DESCRIPTION	USE
A/V + IR BY AIR	7307	DigiDom Transmitter + Receiver	Transport an A/V signal (usually TV) from a source screen to a second screen which is placed in a remote room. Infrared transmission (IR) allow you to control the source from the remote room.
	7604	DigiDom Single receiver	
	7167	DigiDom Transmitter + Receiver	

	REF.	DESCRIPTION	USE
IR BY AIR	723702	DigiDom Transmitter + Receiver	Control a device which can be controlled by infrared (IR), from a place beyond remote controller range. Wireless transmission.
	721902	DigiDom Single transmitter	

	REF.	DESCRIPTION	USE
IR VIA COAXIAL	7605	Coax IR Transmitter + Receiver	Control a device which can be controlled by infrared (IR), from a place beyond remote controller range. IR are transmitted through coaxial cable from one side to other side.
	7606	Coax IR Single transmitter	

MORE INFO

Coax IR System

Coax IR allows to control electronic devices using the coaxial network to transport TV signals. Enjoy satellite TV (or any type of TV content) in all your rooms with a single satellite STB.

You could use a Coax IR emitter on each TV and a Coax IR receiver in the satellite STB, and use a domestic modulator to share A/V signal from the receiver.

Coax IR elements have "IEC" connectors which allow it to connect to TV outlets or to another distribution network elements.



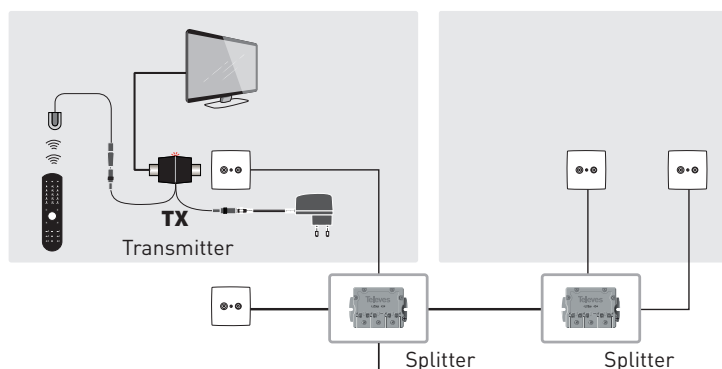
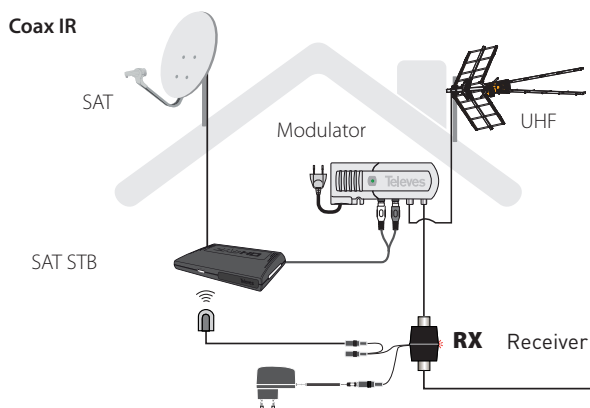
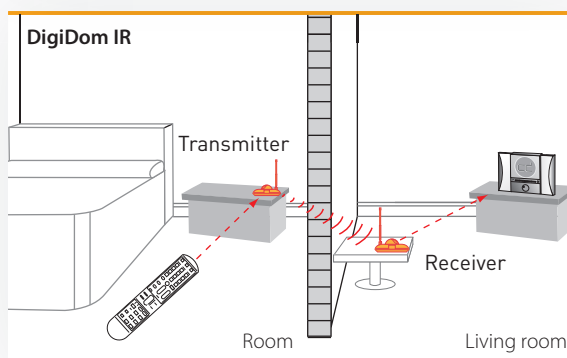
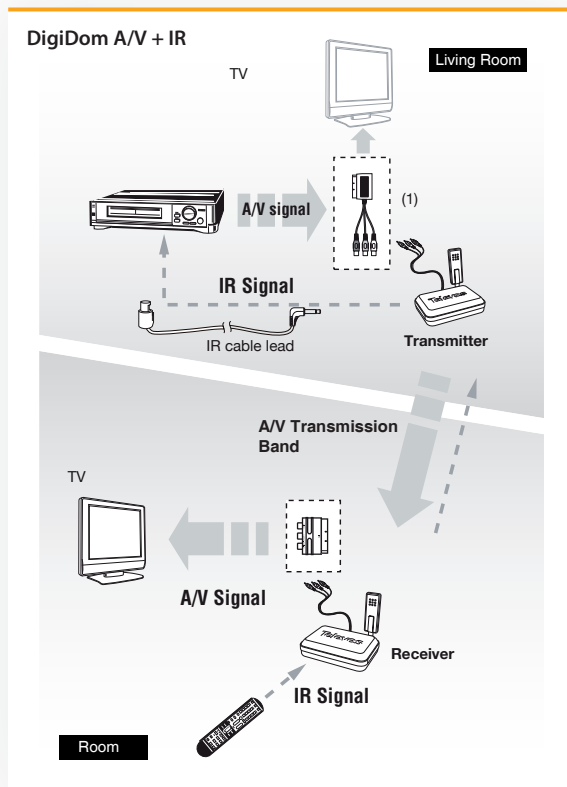
PACKING

CHARACTERISTICS	TYPE	DIMENSIONS mm (x-y-z)	Qty	EAN13 CODE
Transmission Band 2.4 GHz 3 configurable channels Antennas are hidden inside the device PAL & NTSC Standards	Box	250x192x97	1	8424450073070
Transmission Band 5.8 GHz 8 configurable channels Steerable antennas PAL & NTSC Standards	Box	250x192x53	1	8424450076040
Transmission Band 5.8 GHz 8 configurable channels Steerable antennas PAL & NTSC Standards	Box	226x159x104	1	8424450145975

CHARACTERISTICS	TYPE	DIMENSIONS mm (x-y-z)	Qty	EAN13 CODE
30 ... 60 KHz carrier 8 configurable channels ASK Standard	Box	144x86x150	1	8424450177952
30 ... 60 KHz carrier 8 configurable channels ASK Standard	Box	144x85x104	1	8424450179000

CHARACTERISTICS	TYPE	DIMENSIONS mm (x-y-z)	Qty	EAN13 CODE
Transmission distance up to 2 km	Box	125x125x65	1	8424450113370
	Box	125x125x39	1	8424450118269

EXAMPLE OF USE



MODULATORS & CHARGERS



Domestic A/V modulator which generates, from an A/V source (camera, SAT STB,...) an analogue channel modulated in frequency (selectable) within the MATV terrestrial band (UHF). It is compatible with satellite installations and it includes a switch-mode power supply that optimise energy efficiency.

This **USB charger** has an efficiency greater than 75% which facilitates the devices to charge twice as fast as other adapters that only generate 0.75A. USB connection provides an universal compatibility.

INTERESTING FACTS

Due to interior installation of amplifiers, automatic manufacture is subjected to a very restrictive safety standards. So, can be accessible by children and short circuits must be avoided.

Televes

CHARACTERISTICS

	REF.	MAIN CHARACTERISTICS
MODULATOR	5858	<ul style="list-style-type: none"> Channel indication with LCD display Compatible with SAT (RF loop) Gain control Generates a test signal (to facilitate tuning) Switch-mode power supply : 2.5 W consumption

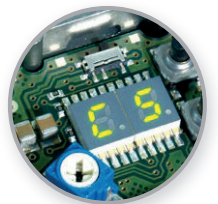


	REF.	MAIN CHARACTERISTICS	TECHNICAL CHARACTERISTICS
CHARGER	434401	<ul style="list-style-type: none"> Efficiency 75% Minimum heat dissipation Very low ripple level (50 mV) Resettable fuse (against power surge) ABS plastic chassis Small dimensions: 60x47x70 mm and 70 g 	<p>Input:</p> <ul style="list-style-type: none"> 196...264 Vac 50/60 Hz 10 W 100 mA <p>Output:</p> <ul style="list-style-type: none"> 5.1 Vdc 1.5 A (max.)

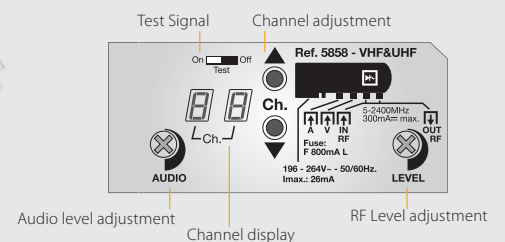
MORE INFO

VHF/UHF Modulator

Access to settings and LCD display



- Audio Input
- Video Input
- RF IN loop
- RF Output

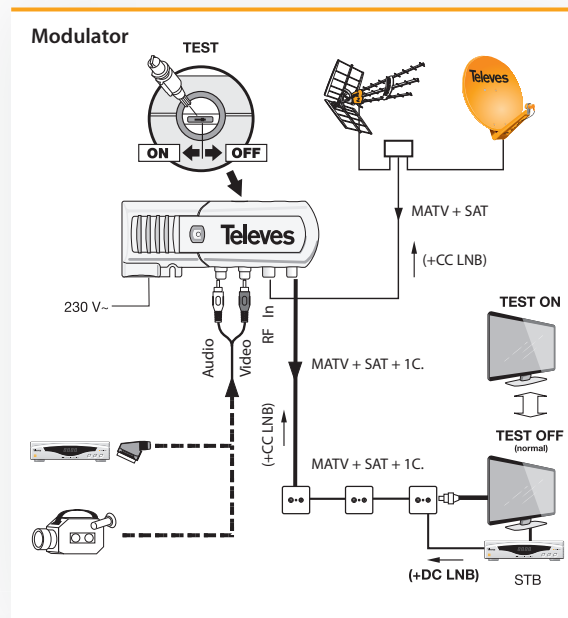




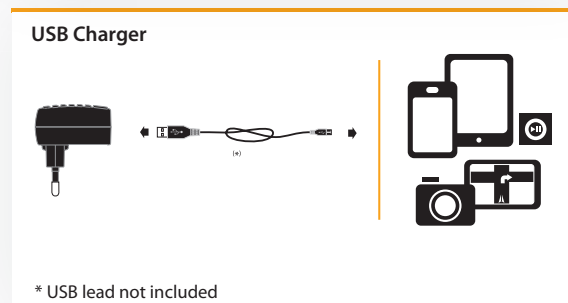
PACKING

TECHNICAL CHARACTERISTICS	TYPE	DIMENSIONS mm (x-y-z)	Qty	EAN13 CODE
<p>Modulation: PAL B/G Standard VHF/UHF Band 90 dBµV Output Level</p> <p>RF Loop: 5 ... 2400 MHz Band 300 mA DC bypass < 2 dB Through Losses</p>	Box	150x90x40	1	8424450139806

EXAMPLE OF USE



COMPATIBILITY	TYPE	DIMENSIONS mm (x-y-z)	Qty	EAN13 CODE
<p>Universal: USB connector System: Apple & Android Products: Smartphones, MP3/4, eBook, GPS, tablets, cameras...</p>	T1 Blister	60x47x70	10	8424450166819



Why choose a 100% made in Europe charger?

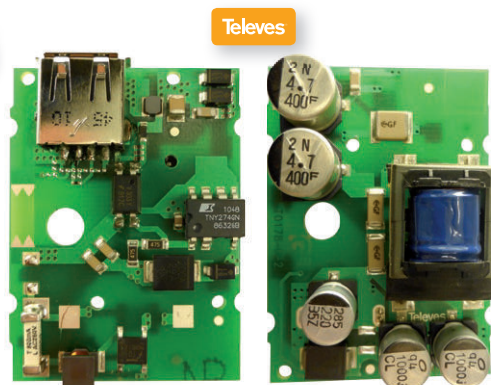
Do not leave security in the background, protect yourself and preserve your electronic devices.

Self-production and manufacturing allow to control every aspect related with the quality of the product and its components. In this way we obtain a high performance product with a greater efficiency.

Also, like Televes power supplies, charger is submitted to a strict thermal test to guarantee an optimal performance.

It offers the **best security**:

- **Product that is charging and its battery:** thanks to its progressive and unalterable charge process against electrical fluctuations and its fuse that protects it against surges.
- **User:** thanks to its higher thermal insulation, low heat dissipation and chassis against fire made of ABS plastic.



PACK TOWER



Frequently, to install a tower we need to build a structure over a roof of a building or a house.

A standard tower is not an option on private houses because its base needs a concrete structure.

Pack tower is a **structural support for several antennas** designed to be installed in an **easily, and without maintenance.**

INTERESTING FACTS

Pack tower is an excellent choice as an auxiliary structure for an exhibition, fair or lounge.

Use a "L" support (ref. 7349) to set a stably satellite dish.

You must install the support before the tower.

Televés

CHARACTERISTICS

	REF.	ADVANTAGES
PACK TOWER	306501	<p>Long-lasting life. Made of galvanized steel and covered with electrostatic polyester powder which guarantees more than 15 years without corrosion. Stainless steel screws.</p> <p>Versatility. The structure has plenty of space to erect several antennas. Two installation options: through the integrated mast or through "L" supports.</p> <p>Easy installation. Installation can be done without any additional ground work as it was designed to be screwed directly to the ground.</p> <p>Compact. Easy transport and storage.</p> <p>Optimized installation. Cable system is integrated inside the tower keeping quality and durability of the TV installation.</p> <p>Plug and Play: Complete kit with all the accessories needed in assembly process.</p>

MORE INFO

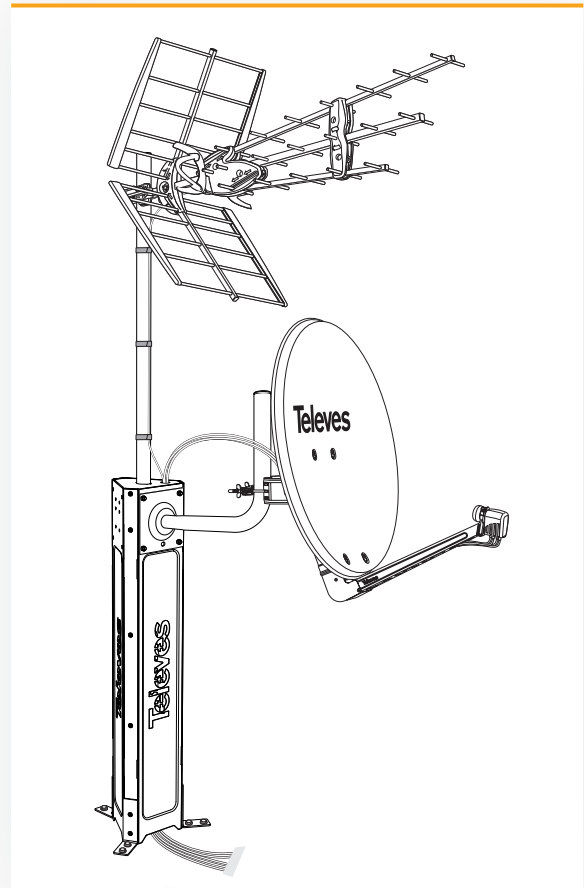
Mast thickness		2
Lateral panels thickness		1.5
Mast diameter	mm	45
Mast total height		1,170
Mast operative height		1,040
Weight	kg	17
Base bending moment		1,040
Mast bending moment	Nm	520



PACKING

EXAMPLE OF USE

DIMENSIONS	TYPE	DIMENSIONS mm (x-y-z)	Qty	EAN13 CODE
	Box	240x2200x240	1	8424450174227



Tower is completely disassembled and in a compact packaging.

It allows to transport it easily to the installation place, preventing handling problems and bulky problems (put in a car boot, go through doors, etc) and also optimize its storage.



ANTENNA WALL SUPPORTS



CHARACTERISTICS



These "L" antenna (terrestrial or satellite) supports are installed with screws on the wall.

According to the material, supports range is classified in: **aluminium or steel**. Steel brackets are covered with a **double galvanization and reactive waterproofing RCP process** (Reactive Coating Process). This technique increases resistance against rust and **guarantees long durability** even in adverse conditions.

		REF.	DIMENSIONS (mm)
STEEL		7393	
		2427	
		7349	
		7371	
ALUMINIUM		X2005	
		X2006	
		X2007	

MORE INFO

Compatibility between wall brackets and dishes:

When a satellite dish is installed, fixing system choice is very important due to bracket type depends on dish dimensions.

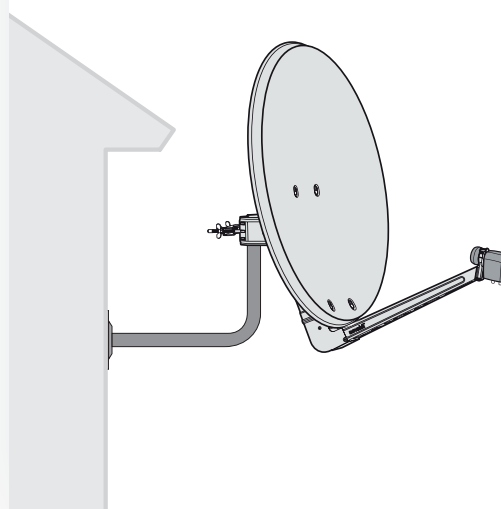
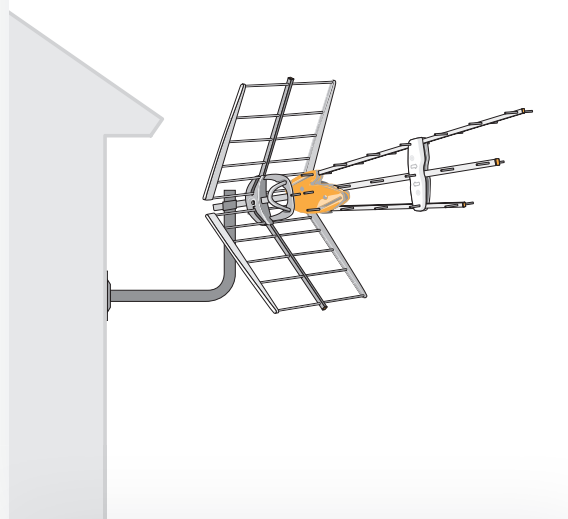
PACKING

MATERIAL	TYPE	TYPE	Qty	EAN13 CODE
Processed steel	"L" - Wall	Box 400x300x210mm	10	8424450073933
Processed steel	"L" - Wall	Bulk	5	8424450024270
Processed steel	"L" - Wall	Box 590x390x325mm	5	8424450073490
Processed steel	"L" - Wall	Bulk	5	8424450073711

MATERIAL	TYPE	TYPE	Qty	EAN13 CODE
Aluminium	"L" - Wall	Box	10	4031136001162
Aluminium	"L" - Wall	Box	10	4031136001179
Aluminium	"L" - Wall	Box	10	4031136001247

EXAMPLE OF USE

"L" support



Ø Bracket		35	40	45		50		
DISH TYPE		7393	2427	7349	7371	X2005	X2006	X2007
ISD	630	✓	✓	✓	✓	✓	✓	✓
	830	✓	✓	✓	✓	✗	✗	✗
QSD	750	✗	✓	✓	✓	✓	✓	✓
	850	✗	✗	✗	✗	✗	✗	✗

ANTENNA GROUND SUPPORT



These satellite dish "T" supports are **screwed on the ground**.

They are made with processed steel and covered with a **double galvanization and reactive waterproofing RCP process** (Reactive Coating Process). This technique increases resistance against rust and **guarantees long durability** even in adverse conditions.

CHARACTERISTICS

	REF.	DIMENSIONS (mm)	
STEEL	757602	 Ø40x2 950	
	7576	 Ø60x2.5 750	

MORE INFO

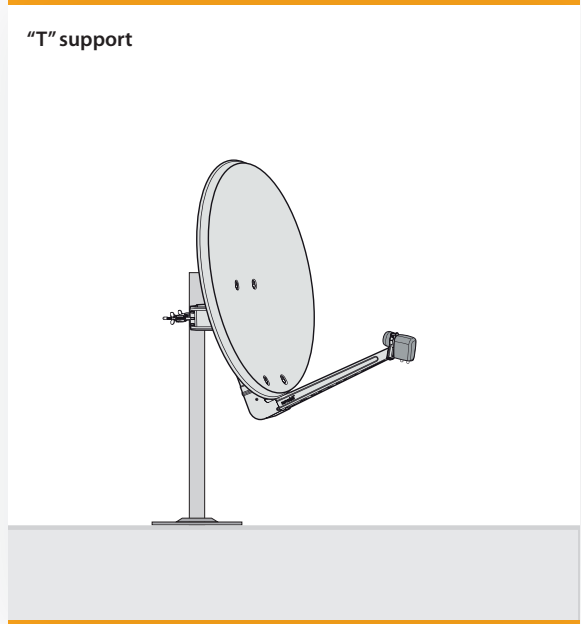
Compatibility between wall brackets and dishes:

When a satellite dish is installed, the choice of the fixing system is very important due to the bracket type depends on dish dimensions.

PACKING

EXAMPLE OF USE

MATERIAL	TYPE	TYPE	Qty	EAN13 CODE
Processed steel	"T" - Ground	Bulk	1	8424450143087
Processed steel	"T" - Ground	Bulk	1	8424450075760




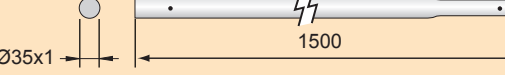

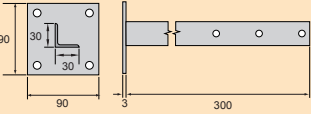

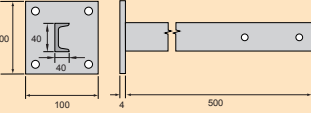

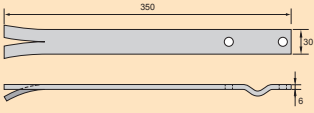

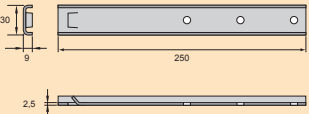

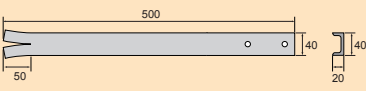

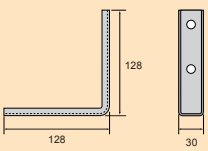


Ø Bracket		48	60
DISH		757602	7576
ISD	630	✓	✗
	830	✓	✗
QSD	750	✓	✓
	850		

MASTS & BRACKETS



CHARACTERISTICS

		REF.	DIMENSIONS (mm)
MASTS		242001	
		2407	
BRACKETS <i>for masts</i>		2401	
		2404	
		2405	
		2410	
		2406	
		2409	

Masts could be necessary to terrestrial antenna installations. If the received signal is weak, a mast must be installed to place the antenna higher and TV signals will be received properly.

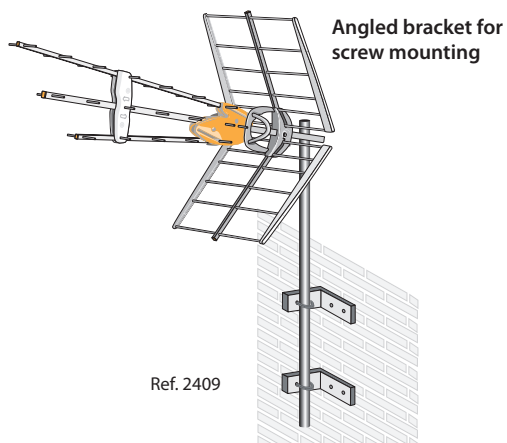
Thanks to brackets the mast could be installed on facades detaching it to avoid different obstacles.

Televés fixations range allow two types of installation: **screw mounting or embedding mounting.**

Galvanized surface is processed with RCP (Reactive Coating Process) to increase resistance against rust.

MORE INFO

Mast needs two fixed points separate each other 50cm. Hence, accessories are usually bought in pairs.



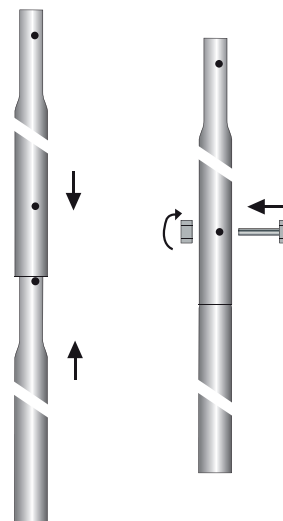
PACKING

EXAMPLE OF USE

DESCRIPTION	TYPE	Qty	EAN13 CODE
MAST (cap included)	Bulk	4	8424450168820
FITTED MAST (screws included)	Bulk	8	8424450024072

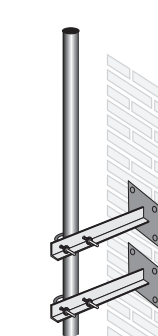
DESCRIPTION	TYPE	DIMENSIONS mm (x-y-z)	Qty	EAN13 CODE
"L" BRACKET for crew mounting	Box	320x225x165	10	8424450024010
"U" BRACKET for screw mounting	Box	546x246x117	6	8424450024041
"I" BRACKET for embedding mounting Reinforced	Box	357x132x93	6	8424450024058
"U" BRACKET for embedding mounting Reinforced	Box	357x132x93	20	8424450024102
"U" BRACKET for embedding mounting Reinforced	Box	555x156x86	7	8424450024065
ANGLED BRACKET for screw mounting	Box	158x158x130	10	8424450024096

To reach more height fit a couple of masts

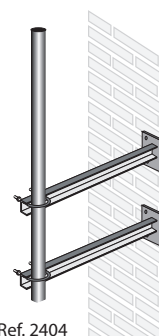


"L" bracket for
screw mounting

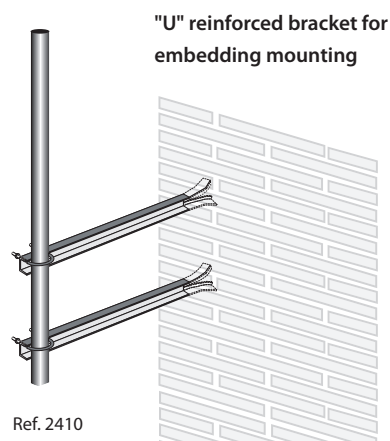
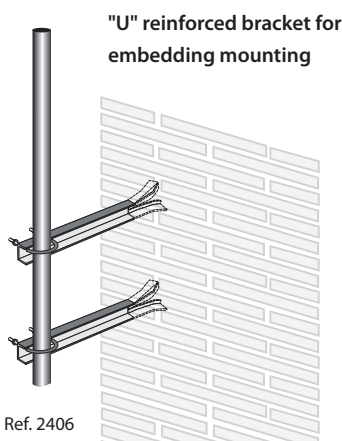
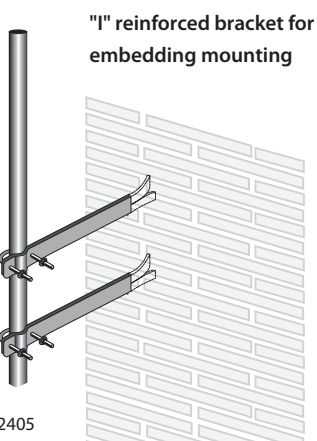
"U" bracket for
screw mounting



Ref. 2401



Ref. 2404



ACCESSORIES & DISPLAY BOARD



Complete or improve the mechanical part of the installation with different useful accessories like fixing complements.

In line with the rest of the mechanical accessories, all complements are made with a **RCP process (Reactive Coating Process)** to increase resistance against rust and guarantee a long durability even in adverse conditions.

Self-service professional display board allows the exhibition of the product packed in a blister or in a bag.

CHARACTERISTICS



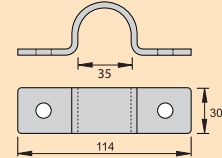
ACCESSORIES



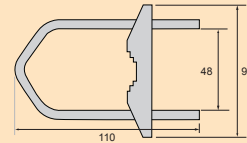
REF.

DIMENSIONS (mm)

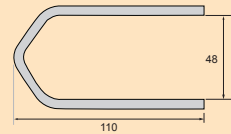
2413



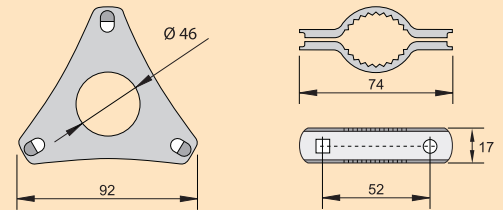
4951



4952



4361



- 1 mast plate
- 1 lug
- 3 guy wire
- 6 cable clamp
- 25 m steel wire (or 2 mm)

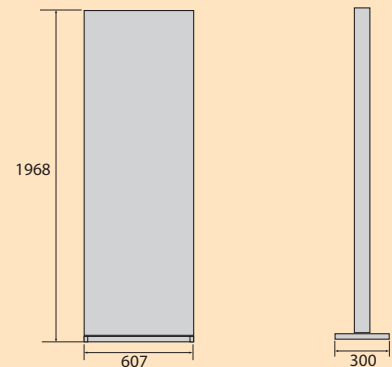
DISPLAY BOARD



REF.

DIMENSIONS (mm)

4390



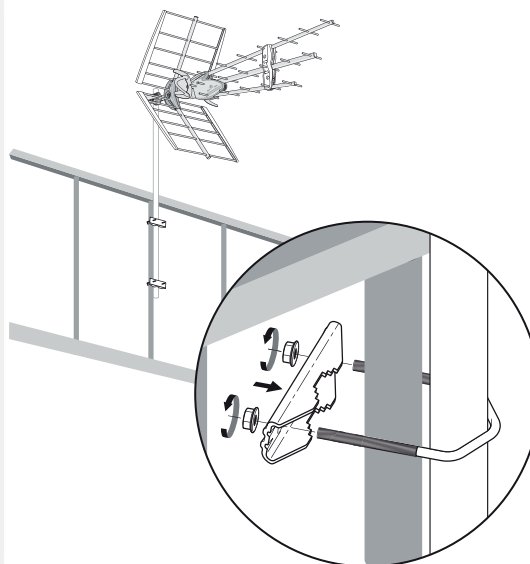


PACKING

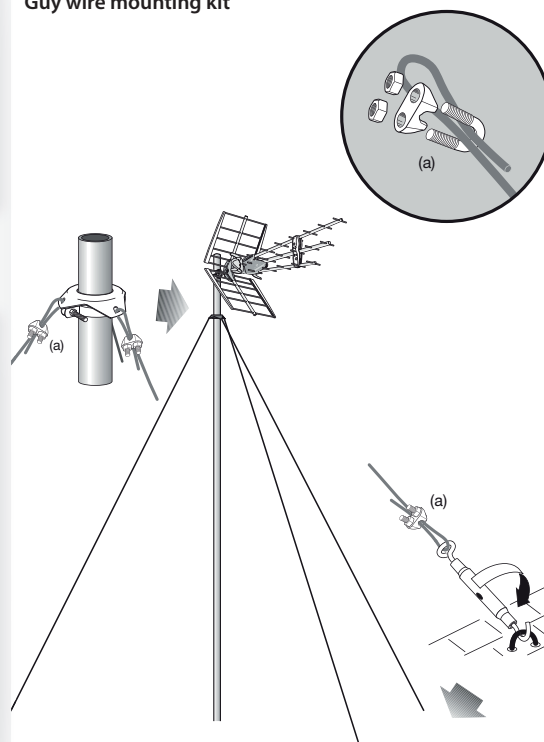
EXAMPLE OF USE

DESCRIPTION	TYPE	DIMENSIONS mm (x-y-z)	Qty	EAN13 CODE
MAST CLAMP Ø 35 mm	Box	128x68x62	6	8424450024133
MAST CLAMP Ø 25...45 mm	Blister T1	120x260x41	8	8424450140154
MAST U-BOLT Ø 25...45 mm	Blister T1	120x260x41	8	8424450140178
GUY WIRE MOUNTING KIT Ø 45 mm	Blister T2	268x166x55	10	8424450043615

Accessories



Guy wire mounting kit

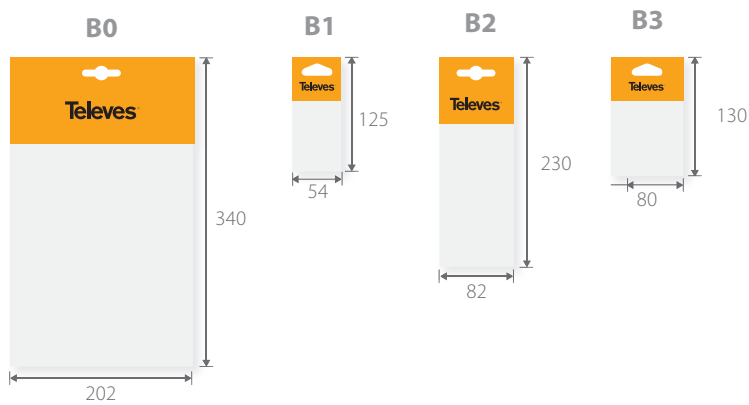


DESCRIPTION	TYPE	DIMENSIONS mm (x-y-z)	Qty	EAN13 CODE
PROFESSIONAL DISPLAY BOARD Clamps included	Box	217x65x15	1	8424450043905

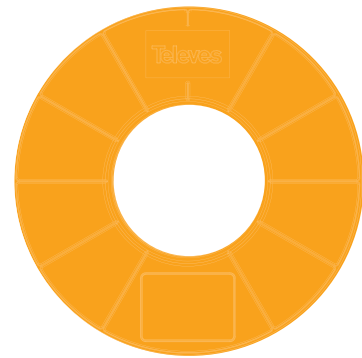
APPENDIX

PACKING TYPE

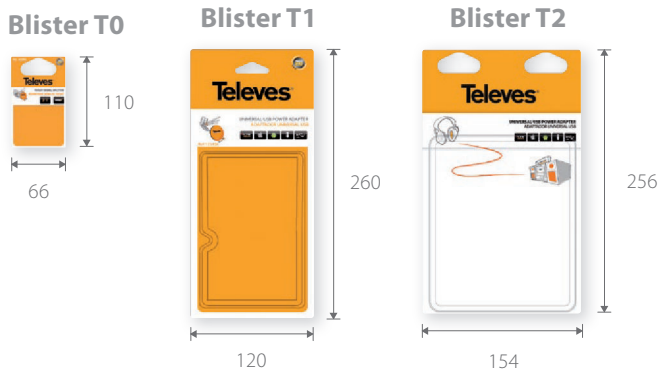
BAGS



PLASTIC REEL

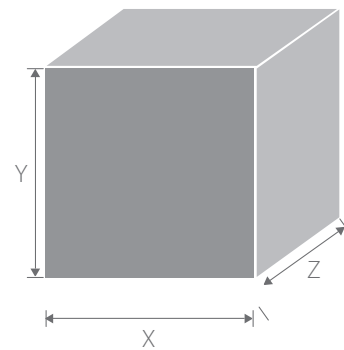


BLISTERS



BOXES

Dimensions are always specified in the order: X, Y, Z



Identifying colour in product

- Orange
- White
- Red
- Grey
- Black






























TBA To Be Announced
Qty (Quantity): Pieces per pack

Televes expresses that this document is just for information purposes and does not accept any responsibility that could be originated from possible errors or omissions regarding its content.

The product pictures included are not contractual and Televes could supply products as shown or these could suffer variations, modifications and/or alterations at any time and without notice.

APPENDIX

GLOSSARY OF ICONS

	Indoors		Dolby Digital Plus Compatible		Easy F connection
	Patented Dipole & BOSS		High definition		Free of radiation
	LTE Ready		Without cables		Free of interferences
	Shielded connection box		Safe battery charge		Cable 100% certified
	Asymmetrical directors		Fast charge		Ultra HD compatible
	Outdoors		Reliable		HDMI
	Aluminium		Fast mounting		SCART
	ABS Plastic		Stainless Steel		Optical fibre
	Satellite		Universal		Multimedia
	H.264 MPEG4/AVC compatible		Energy efficiency		User Selectable Output Signal

DATBOSS

TFORCE TECHNOLOGY ANTENNA

Televes goes beyond the silicon era into the new era in electronic component design, which allows building integrated circuits that work in the microwave frequency band.

TForce is based on the manufacturing of gallium arsenide (GaAs) semiconductor compounds, **which provides products with functionalities that are difficult to match.**



IF THE DAT BOSS CAN'T RECEIVE IT, NOTHING CAN!



HIGH DYNAMIC RANGE



WIDER DTT COVERAGE AREA



VERY HIGH GAIN



VERY LOW NOISE FIGURE



MANUFACTURED IN EUROPE

SCAN TO WATCH VIDEO



EN.TELEVES.COM/DATBOSS

Televes®

televescorporation ■ televes.com ■ televes@televes.com

