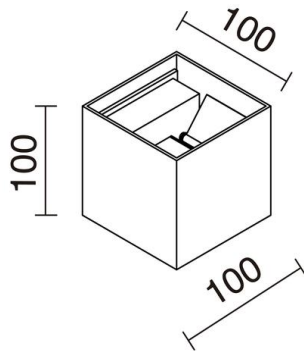
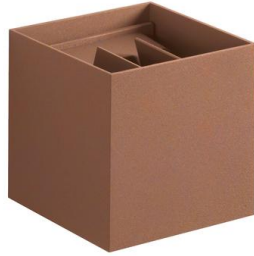


# BEAM

960A-L3106B-90 Wall Bracket BEAM IP54 LED COB 2x3W 290lm(405lm) CRI80 3000K 5°/130° up-down Brown oxide



The BEAM family by Dopo Lighting consists of a wall lamp made of aluminium. Available in white, black, grey and rust brown finishes. With IP54 and emits light in two directions with a colour temperature of 3000K. In addition, through its internal fins it permits graduating the opening of the light beam. It is suitable for illuminating outdoor pathways.

## GENERAL DATA

Category	Surface
Family	Beam
Finish	901 Brown oxide
Location	Outdoor
Installation	Wall
Body material	Aluminum
Diffuser material	Transparent glass
ETIM class	EC002892
EAN	8433264349264

## LIGHT SOURCES AND BEAMS

Sources	LED COB 2x 3W 2x 290lm(405lm) 3000K CRI80
Energy efficiency	G (3000K)
Beams	5°/130° - Direct symmetric, Indirect symmetric

## TECHNICAL DATA

Dimensions	Height x Width x Length (mm): 100 x 100 x 100
IP	IP54
Protection class	Class I
Frequency	50/60 Hz
Input voltage	220-240V AC V
Total wattage	7 W
Output current	300 mA
Power factor	0.5
Auxiliary gear	Integrated driver
Auxiliary equipment brand	Kegu
Operating temperature range	-10 - 40 °C
Lifetime	30.000 h
LED lifetime L	80
LED lifetime B	50
Weight	0.58 Kg
Cable outlets	1

## NOTES

Through their internal fins it allows to graduate the opening of the light beam

# BEAM

960A-L3106B-90 Wall Bracket BEAM IP54 LED COB 2x3W 290lm(405lm) CRI80 3000K 5°/130°  
up-down Brown oxide

## COMPLEMENTARY IMAGES

---

