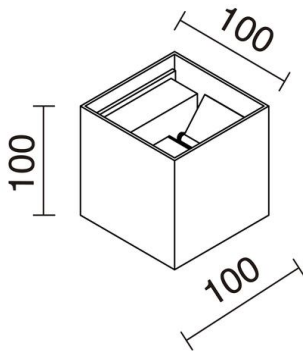


BEAM 960A-L3106B-04 Wall Bracket BEAM IP54 LED COB 2x3W 290lm(405lm) CRI80 3000K 5°/130° up-down Anthracite

The BEAM family by Dopo Lighting consists of a wall lamp made of aluminium. Available in white, black, grey and rust brown finishes. With IP54 and emits light in two directions with a colour temperature of 3000K. In addition, through its internal fins it permits graduating the opening of the light beam. It is suitable for illuminating outdoor pathways.



GENERAL DATA

Category	Surface
Family	Beam
Finish	04 Anthracite
Location	Outdoor
Installation	Wall
Body material	Aluminum
Diffuser material	Transparent glass
ETIM class	EC0028g2
EAN	8433264113742

LIGHT SOURCES AND BEAMS

Sources	LED COB 2x 3W 2x 290lm(405lm) 3000K CRI80
Energy efficiency	G (3000K)
Beams	5°/130° - Direct symmetric, Indirect symmetric

TECHNICAL DATA

Dimensions	Height x Width x Length (mm): 100 x 100 x 100
IP	IP54
Protection class	Class I
Frequency	50/60 Hz
Input voltage	220-240V AC V
Total wattage	7 W
Output current	300 mA
Power factor	0.5
Auxiliary gear	Integrated driver
Auxiliary equipment brand	Kegu
Operating temperature range	-10 - 40 °C
Lifetime	30.000 h
LED lifetime L	80
LED lifetime B	50
Weight	0.58 Kg
Cable outlets	1

NOTES

Through their internal fins it allows to graduate the opening of the light beam

BEAM

960A-L3106B-04 Wall Bracket BEAM IP54 LED COB 2x3W 290lm(405lm) CRI80 3000K 5°/130° up-down Anthracite

COMPLEMENTARY IMAGES

