

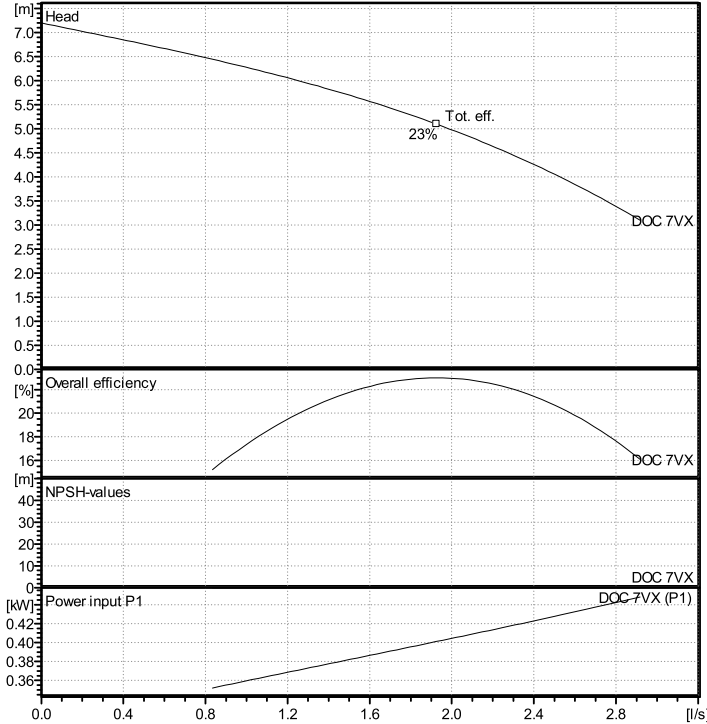
**DOC 7VX**

Company	Rolearmais	Customer	Date	8/16/2018
Contact		Contact	List price	Price on req.
Project		Phone number	Family code	
Project no.		Email	Item no.	107540030

Performance according to ISO 9906:2012 – Grade 3B

Power datas referred to:

Water, pure [100%] ; 4°C; 1kg/dm<sup>3</sup>; 1.57mm<sup>2</sup>/s



**Operating Data Specification**

Flow	0 l/s
Head	0 m

**Hydraulic data (duty point)**

Flow	
Head	
Power input	

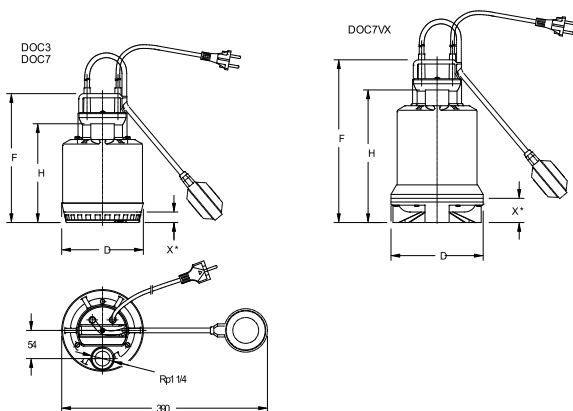
**Pump data**

Make	Lowara
Type	DOC 7VX Submersible sump pump
Speed	2900
Head H(Q=0)	7.2 m
Suction side	
Discharge side	
Types of installation	Submersible pump
Weight	6 kg

**Materials / seals**

Pump body	PPO resin + 20 % GF
Suction strainer	PPO resin + 20 % GF
IMPELLER	PA 66 + 30 % GF
External case	Stainless steel

Shaft Seal



**Motor data**

Rated power P2	0.55 kW	Nom. Speed	2790 1/min
Frequency	50	Phase	1~
Rated voltage	230 V	Rated current	2.96 A
Protection class	IP X8	Insulation class	B
Permitted voltage tolerance +/- 10%			

**Dimensions** mm

D	175		
F	310		
H	252		
X	45		

Note: