

GHV20/A/15SV04F040T/4

Company	Rolearmais	Customer	Date	8/16/2018
Contact		Contact	Item no.	
Phone number	808 202 816	Phone number	Project	
Email	apoio.cliente@rolearmais.pt	Email	Project no.	

Operating data

1	Pumpe type	Single-/Multi-pump set	Fluid	Water, pure
2	No. of pumps / Reserve	2 / 0	Operating temperature t A	°C 4
3	Nominal flow	l/s 0	pH-value at t A	7
4	Nominal head	m 0	Density at t A	kg/dm ³ 1
5	Static head	m 0	Kin. viscosity at t A	mm ² /s 1.569
6	Inlet pressure	kPa 0	Vapor pressure at t A	kPa 100
7	Env ironmental temperature	°C 20	Solids	0
8	Av ailable system NPSH	m 0	Altitude	m 0

Pump data

9	Pump designation		Impeller Ø	Max.	mm	105
10	GHV20/A/15SV04F040T/4			designed	mm	105
11	Design	Variable speed sets		Min.	mm	105
12	Make		Flow	Nominal	l/s	()
13				Max-	l/s	6.7
14	Speed	1/min 2900		Min-	l/s	
15			Head	Nominal	m	
16	Max. working pressure	kPa 572.8		at Qmax	m	28.7
17	Head H(Q=0)	m 58		at Qmin	m	58.4
18	Weight	kg On demand	Shaft power	kW	()	
19	Weight data include external package		Max. shaft power	kW	6	
20			Efficiency	%		
21			NPSH 3%	m		

Materials

22		Booster	Motor data			
23	Manif olds	AISI 304	Manufacturer	Lowara	Electric v oltag e	400 V
24	On-off v alves	Nickel-plated brass	Specific design	IE3 Three phase surface motor		
25	Non-return v alves	Brass	Type	PLM112.../340 E3	Electric current	7.56 A
26	Pressure switches	Galvanized steel/AISI 301	Rated power	4 kW	Degree of protection	IP 55
27	Pressure trasmitters	AISI 304	Speed	2890 1/min	Insulation class	F
28	Caps/plugs/flanges	AISI 304 / 316	Frame size	112		RAL 5010
29	Fittings	AISI 316	Weight	29 kg		
30	BRACKET	Galvanized steel/painted steel				
31	Base	Painted steel				
32						

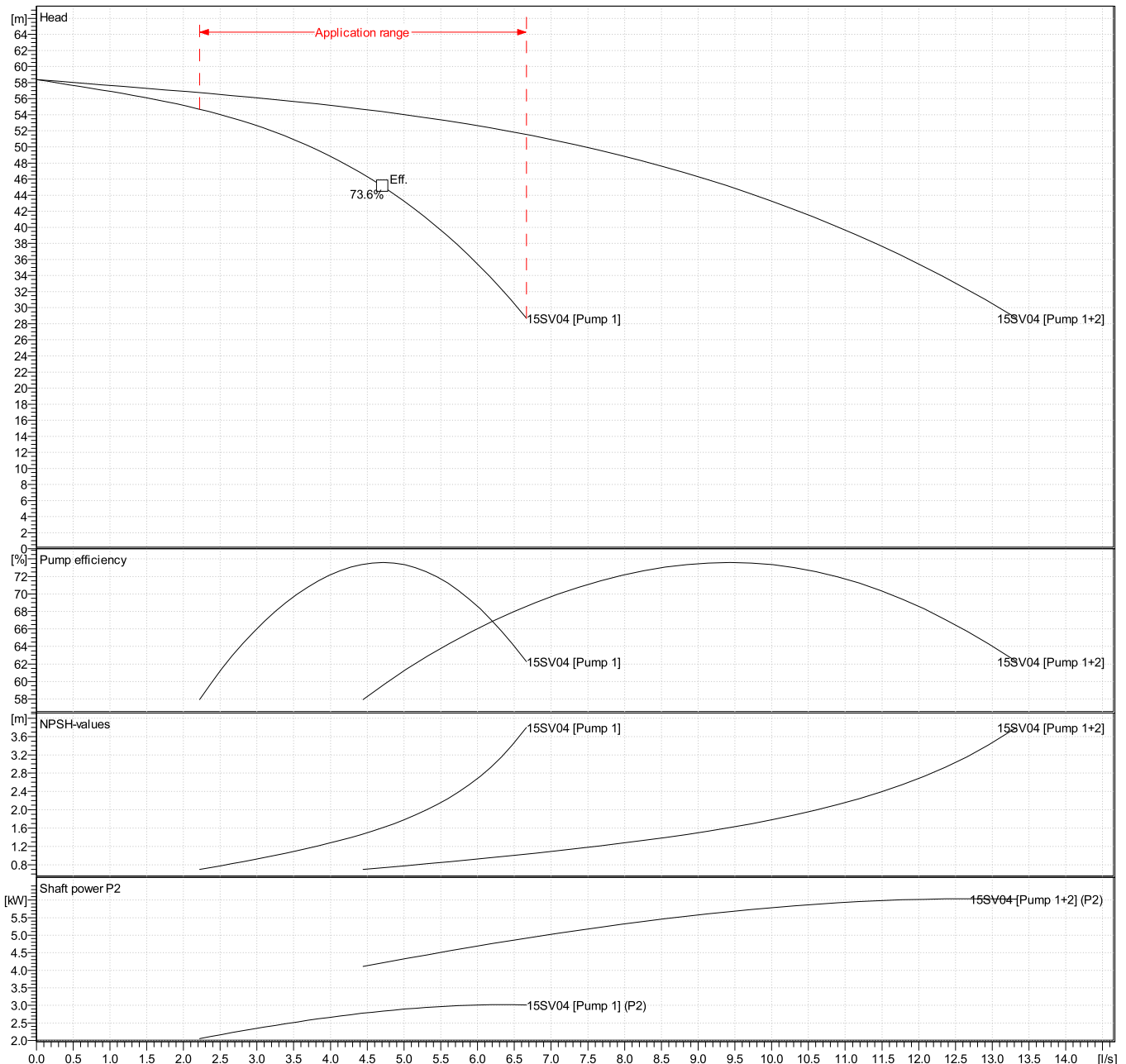
Standard options

33	Non return v alve position		Non return v alve in delivery side
34	Set certificate	/A	WRAS, ACS, D.M. 174 set certificate
35	Hydrovar model	/4	3~ 400V HVL 4.040
36	Control panel power supply	/4	Three-phase, 3 x 400 V
37	Additional card		No card
38	Material Combination		GHV 3-22 SV Standard materials
39	Control Panel clean contacts		Standard
40	Protection against Dry running		Without protection against dry running
41	High pressure protection		Without high pressure protection on delivery
42	Suction side		Standard suction
43	Deliv ery side		Standard delivery
44	Pump Test		Set without certified pumps
45	Control Panel		Standard
46	Control Panel Position		Standard position
47	Control Panel Protection degree		Standard

GHV20/A/15SV04F040T/4

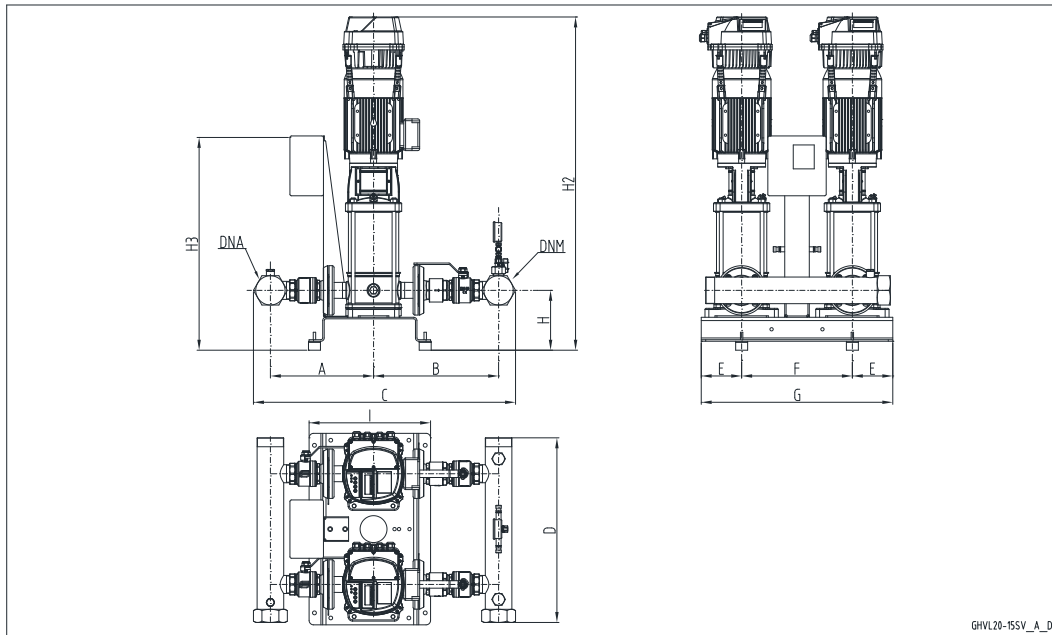
Company	Rolearmais	Customer	Date	8/16/2018	
Contact		Contact	Item no.		
Phone number	808 202 816	Phone number	Project		
Email	apoio.cliente@rolearmais.pt	Email	Project no.		
Operating Data Specification		Hydraulic data (duty point)		Impeller design	
Flow	0 l/s	Flow		Impeller R	105 mm
Head	0 m	Head		Frequency	50 Hz
Static head	0 m	MEI >= 0,7		Speed	2900 1/min

Power datas referred to:
Water, pure [100%] ; 4°C; 1kg/dm³; 1.57mm²/s
 Performance according to ISO 9906:2012 – Grade 3B



GHV20/A/15SV04F040T/4

Company	Rolearmais	Customer	Date	8/16/2018
Contact		Contact	Item no.	
Phone number	808 202 816	Phone number	Project	
Email	apoio.cliente@rolearmais.pt	Email	Project no.	



PLEASE NOTE:

Dimensions		mm			
A	344.5	H	200		Weight (Include external package) On demand
B	417.5	H2	1114		
C	851	H3	748		
D	610	I	406		
DNA	R 3"				
DNM	R 3"				
E	135				
F	370				
G	640				