

**GHV20/A/5SV07F011T/2**

Company	Rolearmais	Customer	Date	8/16/2018
Contact		Contact	Item no.	
Phone number	808 202 816	Phone number	Project	
Email	apoio.cliente@rolearmais.pt	Email	Project no.	

**Operating data**

1	Pumpe type	Single-/Multi-pump set	Fluid	Water, pure
2	No. of pumps / Reserve	2 / 0	Operating temperature t A	°C 4
3	Nominal flow	l/s 0	pH-value at t A	7
4	Nominal head	m 0	Density at t A	kg/dm <sup>3</sup> 1
5	Static head	m 0	Kin. viscosity at t A	mm <sup>2</sup> /s 1.569
6	Inlet pressure	kPa 0	Vapor pressure at t A	kPa 100
7	Environmental temperature	°C 20	Solids	0
8	Available system NPSH	m 0	Altitude	m 0

**Pump data**

9	Pump designation		Impeller Ø	Max.	mm	76
10	GHV20/A/5SV07F011T/2			designed	mm	76
11	Design	Variable speed sets		Min.	mm	76
12	Make		Flow	Nominal	l/s	( )
13				Max-	l/s	2.4
14	Speed	1/min 2900		Min-	l/s	
15			Head	Nominal	m	
16	Max. working pressure	kPa 517.4		at Qmax	m	22.8
17	Head H(Q=0)	m 53		at Qmin	m	52.7
18	Weight	kg On demand	Shaft power	kW		( )
19	Weight data include external package		Max. shaft power	kW	1.9	
20			Efficiency	%		
21			NPSH 3%	m		

**Materials**

22		<b>Booster</b>	<b>Motor data</b>			
23	Manif olds	AISI 304	Manufacturer	Lowara	Electric v oltage	400 V
24	On-off valves	Nickel-plated brass	Specific design	IE3 Three phase surface motor		
25	Non-return valves	Brass	Type	SM80.../311 PE	Electric current	2.39 A
26	Pressure switches	Galvanized steel/AISI 301	Rated power	1.1 kW	Degree of protection	IP 55
27	Pressure trasmitters	AISI 304	Speed	2890 1/min	Insulation class	F
28	Caps/plugs/flanges	AISI 304 / 316	Frame size	80		RAL 5010
29	Fittings	AISI 316	Weight	11.4 kg		
30	BRACKET	Galvanized steel/painted steel				
31	Base	Painted steel				
32						

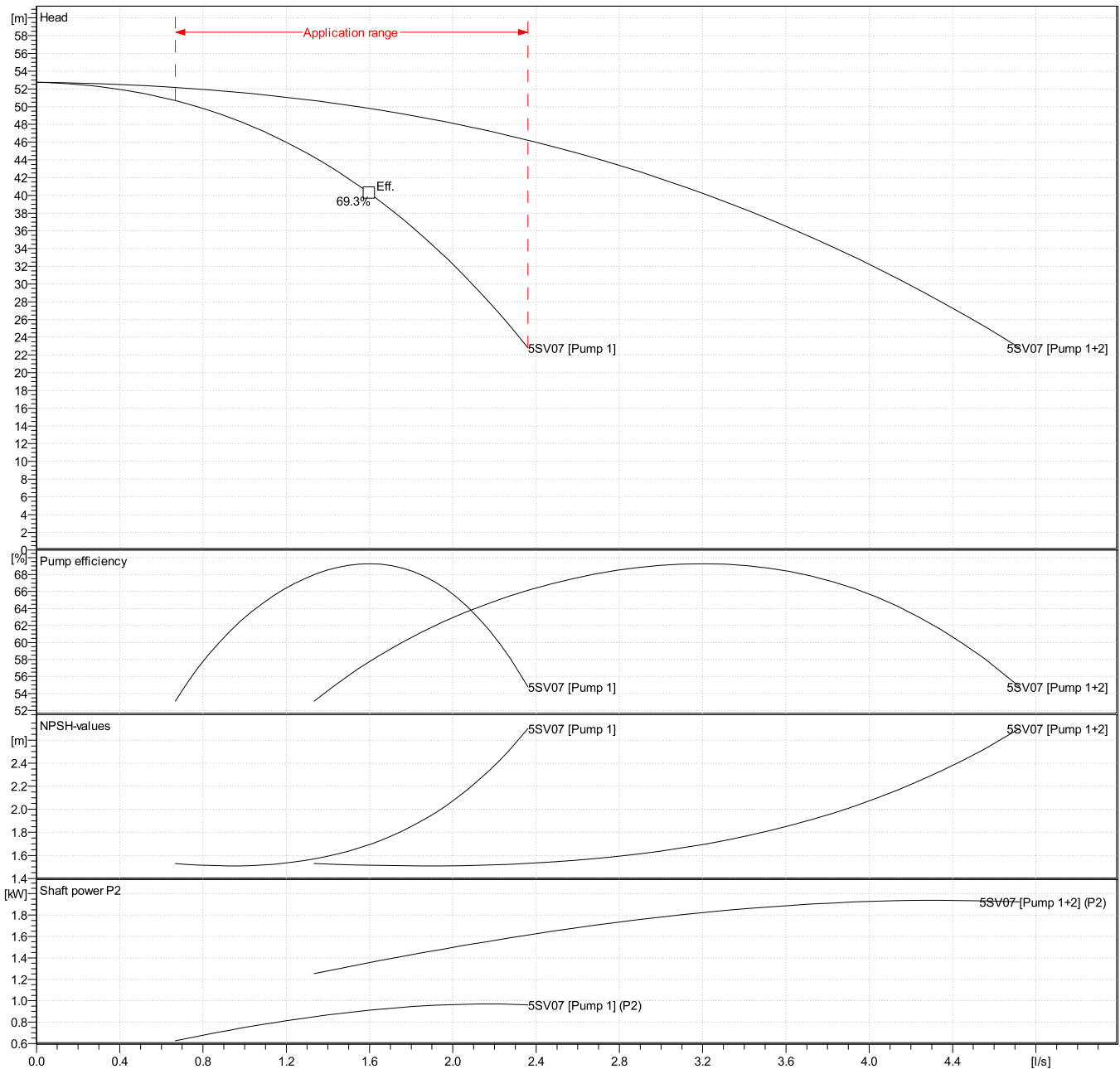
**Standard options**

33	Non return valve position		Non return valve in delivery side
34	Set certificate	/A	WRAS, ACS, D.M. 174 set certificate
35	Hydrovar model	/2	1~ 230V HVL 2.015
36	Control panel power supply	/2	Single-phase, 1 x 230 V
37	Additional card		No card
38	Material Combination		GHV 3-22 SV Standard materials
39	Control Panel clean contacts		Standard
40	Protection against Dry running		Without protection against dry running
41	High pressure protection		Without high pressure protection on delivery
42	Suction side		Standard suction
43	Delivery side		Standard delivery
44	Pump Test		Set without certified pumps
45	Control Panel		Standard
46	Control Panel Position		Standard position
47	Control Panel Protection degree		Standard

### GHV20/A/5SV07F011T/2

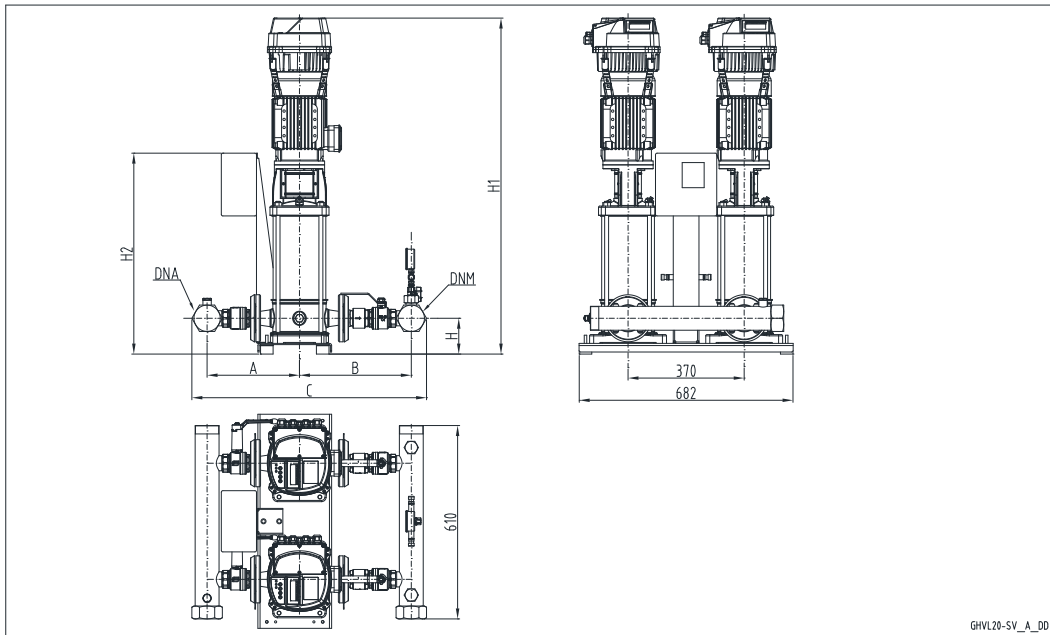
Company	Rolearmais	Customer	Date	8/16/2018	
Contact		Contact	Item no.		
Phone number	808 202 816	Phone number	Project		
Email	apoio.cliente@rolearmais.pt	Email	Project no.		
<b>Operating Data Specification</b>		<b>Hydraulic data (duty point)</b>		<b>Impeller design</b>	
Flow	0 l/s	Flow		Impeller R	76 mm
Head	0 m	Head		Frequency	50 Hz
Static head	0 m	MEI >= 0,7		Speed	2900 1/min

Power data referred to:  
**Water, pure [100%] ; 4°C; 1kg/dm<sup>3</sup>; 1.57mm<sup>2</sup>/s**  
 Performance according to ISO 9906:2012 – Grade 3B



**GHV20/A/5SV07F011T/2**

Company	Rolearmais	Customer	Date	8/16/2018
Contact		Contact	Item no.	
Phone number	808 202 816	Phone number	Project	
Email	apoio.cliente@rolearmais.pt	Email	Project no.	



**PLEASE NOTE:**

**Dimensions**

mm

A	260					Weight (Include external package) On demand
B	329					
C	649					
DNA	R 2"					
DNM	R 2"					
H	109					
H1	870					
H2	640					