

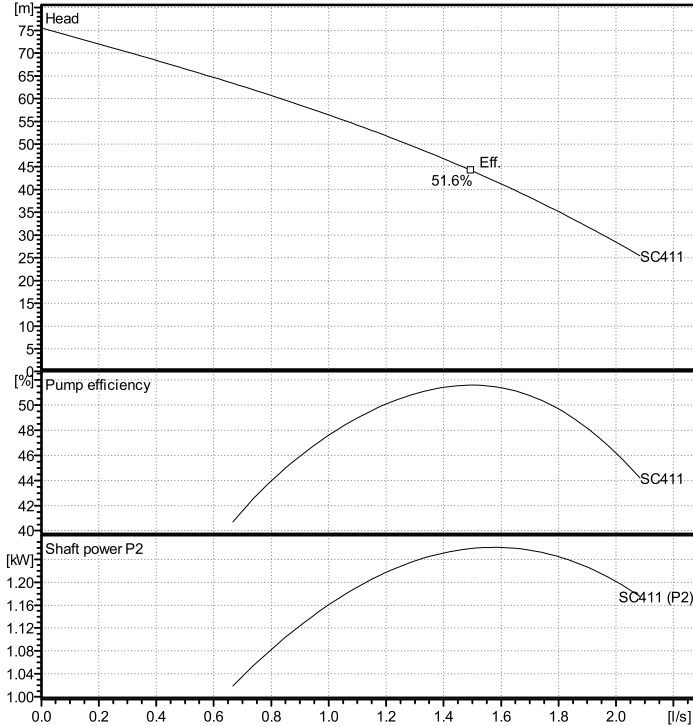
SC 411T 01

Company	Rolearmais	Customer	Date	8/16/2018
Contact		Contact	List price	Price on req.
Project		Phone number	Family code	
Project no.		Email	Item no.	

Performance according to ISO 9906:2012 – Grade 3B

Power datas referred to:

Water, pure [100%] ; 4°C; 1kg/dm³; 1.57mm²/s



Operating Data Specification

Flow	0 l/s
Head	0 m

Hydraulic data (duty point)

Flow	
Head	
Power input	

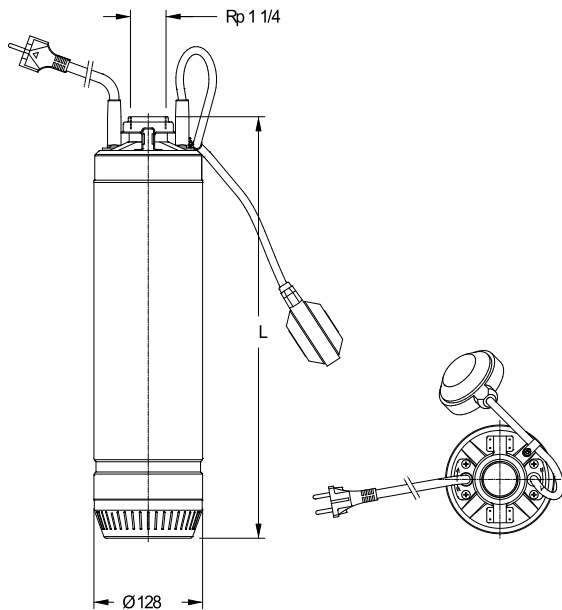
Pump data

Make	Lowara
Type	SC 411T 01 5" borehole/well pump
Speed	2900
Head H(Q=0)	75.5 m
Suction side	
Discharge side	
Types of installation	Close coupled
Weight	17.5 kg

Materials / seals

Sleeve with head	Stainless steel
Upper bearing support	Stainless steel
Sleeve with wound stator	Stainless steel
Strainer	Stainless steel

Shaft Seal



Motor data

Rated power P2	1.1 kW	Nom. Speed	2825 1/min
Frequency	50	Phase	3~
Rated voltage	400 V	Rated current	2.85 A
Protection class	IP X8	Insulation class	F
Permitted voltage tolerance +/- 10%			

Dimensions mm

L	611		
---	-----	--	--

Note: