

- GB SAND FILTERS**
- ES FILTROS DE ARENA**
- FR FILTRES A SABLE**
- IT FILTRO A SABBIA**
- PT FILTROS DE AREIA**
- DE SANDFILTER**
- TR KUM FILTRELERI**
- CS PÍSKOVÉ FILTRY**
- RU ПЕСОЧНЫЙ ФИЛЬТР**

*INSTALLATION AND MAINTENANCE MANUAL  
MANUAL DE INSTALACIÓN Y MANTENIMIENTO  
MANUEL D'INSTALLATION ET D'ENTRETIEN  
MANUALE DI INSTALLAZIONE E MANUTENZIONE  
MANUAL DE INSTRUÇÕES E MANUTENÇÃO  
EINBAU-UND BETRIEBSANLEITUNG  
MONTAJ VE BAKIM EL KITABI  
NÁVOD NA INSTALACI A ÚDRŽBU  
ИНСТРУКЦИЯ ПО МОНТАЖУ И ЭКСПЛУАТАЦИИ*



**WHAT HAPPENS TO THE WATER IN YOUR POOL?** 

---

This should be a question of prime consideration for all pool owners. In the past some pools did not use filtering systems, the owner was faced with the problem of refilling the pool with clean water when this became necessary. Refilling the pool was laborious, meanwhile the owner had an unsanitary pool with unpleasant bathing owing to the poor clarity of the water. Today pool owners demand absolute hygiene, crystal clear water and economy of effort. These objectives are achieved by effective filtration and chemical treatment of the pool water.

After filling the pool with clean water in the summer, two basic factors can take place due to the exposure of water to the sun and the air.

1.- Biological contamination. The water is contaminated by micro-organisms which may be airborne or introduced by bathers.

These parasites reproduce rapidly in still warm water and algae may form giving a greenish appearance to the pool water.

2.- Rainfall and wind may introduce dust, with leaves and seeds which muddy and pollute the pool water.

These two factors generate in little time an unsanitary swimmingpool and unpleasant bathing.

Solutions to the problem:

1.- "CHEMICAL" TREATMENT

Maintain the correct level of sanitiser (chlorine, brom, oxygen...) in the water to combat existing micro-organisms by its disinfecting action.

As chlorine is the more common method, it will be taken as the reference point.

2.- "PHYSICAL" TREATMENT

Provide the pool with a filtration system (filter and pump) to remove suspended particles from the water.

**PH LEVEL** 

---

The pH level is an indicator of acidity or alkalinity present in the water. The neutral value is 7.0. a pH of 0-7 means levels of acidity whilst 7-14 gives levels of alkalinity. The pool usual readings vary between 6.8 and 8.4.

## **Why pH is important?**

“THE IDEAL PH VALUE IN A POOL SHOULD BE BETWEEN 7.2 AND 7.6”.

As previously stated, sufficient residual chlorine must exist in the pool to destroy unwanted micro-organisms, in fact the chlorine will only act as a bactericide when the pool water has a pH of between 7.2 and 7.6.

There are other reasons which call for a correct pH level: Once above 7.6, calcium in the pool will precipitate to a visible cloudy form (accentuated in hard water areas).

This gives a milky appearance to the water, and hinders the filtering, deposits may also appear on the pool walls and fittings.

Once the pH level falls below 7.0 the pool water becomes corrosive causing eye irritation and affecting mucous membranes. There is also a long term threat to metallic parts in the pool.

The quality of the pool water is highly dependent on maintaining the correct pH level.

## **CHLORINE**

---

Standards for the amount of residual (free) chlorine in the pool water may vary from country to country, depending on health authority regulations. Typical legal requirements are between 0.2 and 0.6 parts per million, (i.e. 0.2-0.6 milligrams per litre).

### **What is understood by free or residual chlorine?**

Even after the filtering process, certain bacteria remains to be destroyed by the disinfecting action of the chlorine which is usually acting on the bacteria in the form of hyperchloric acid.

A quantity of chlorine that is added to the water (in excess of that needed to destroy bacteria and oxidize organic material) remains free to combat new bacteria introduced by bathers or atmospheric agents.

This chlorine remaining in the water in the form of hyperchloric acid is known as free, residual chlorine.

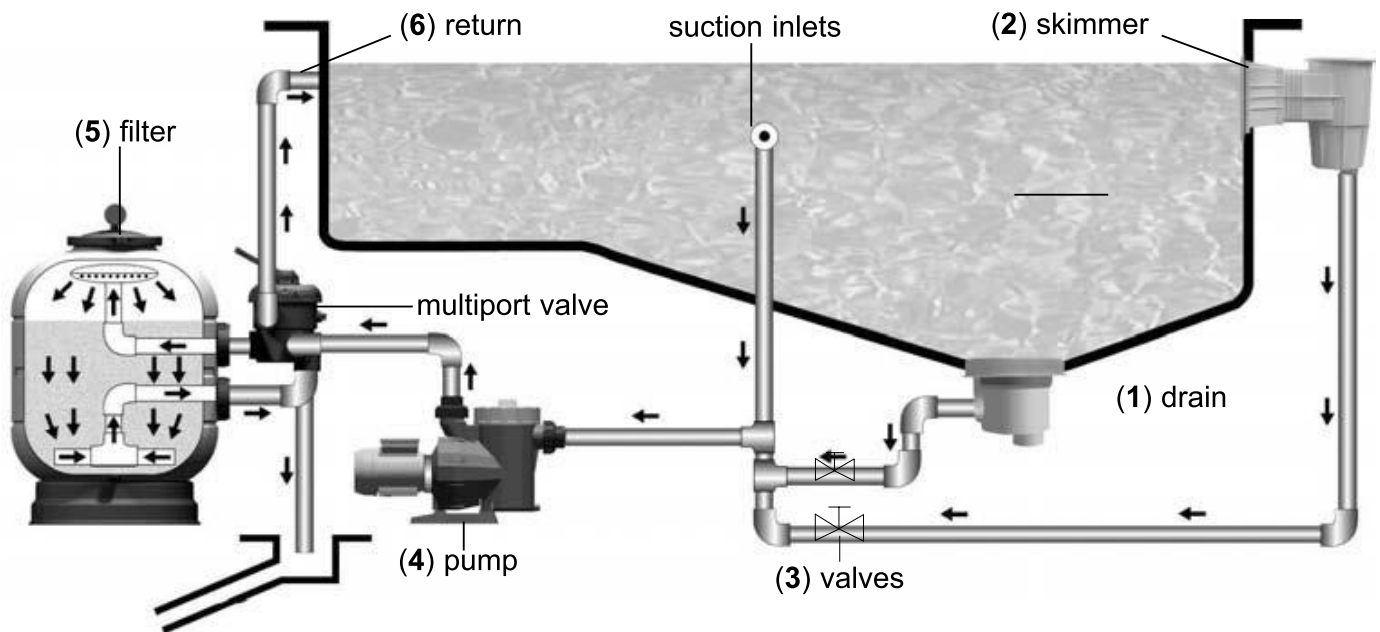
## **FILTRATION**

---

It is essential that the filtration is accompanied by chemical treatment of the pool water.

The two processes are complimentary to each other.

## WORKING PRINCIPLES



A suction is taken from the main drains (1) on the bottom of the pool and the skimmers (2) at the pool surface and fed via separate pipework with their corresponding valves (3), through the pump (4) to the sand filter (5).

After filtration, the water is returned to the pool via return inlets (6), which are installed on the opposite side of the pool to the skimmers and main drains.

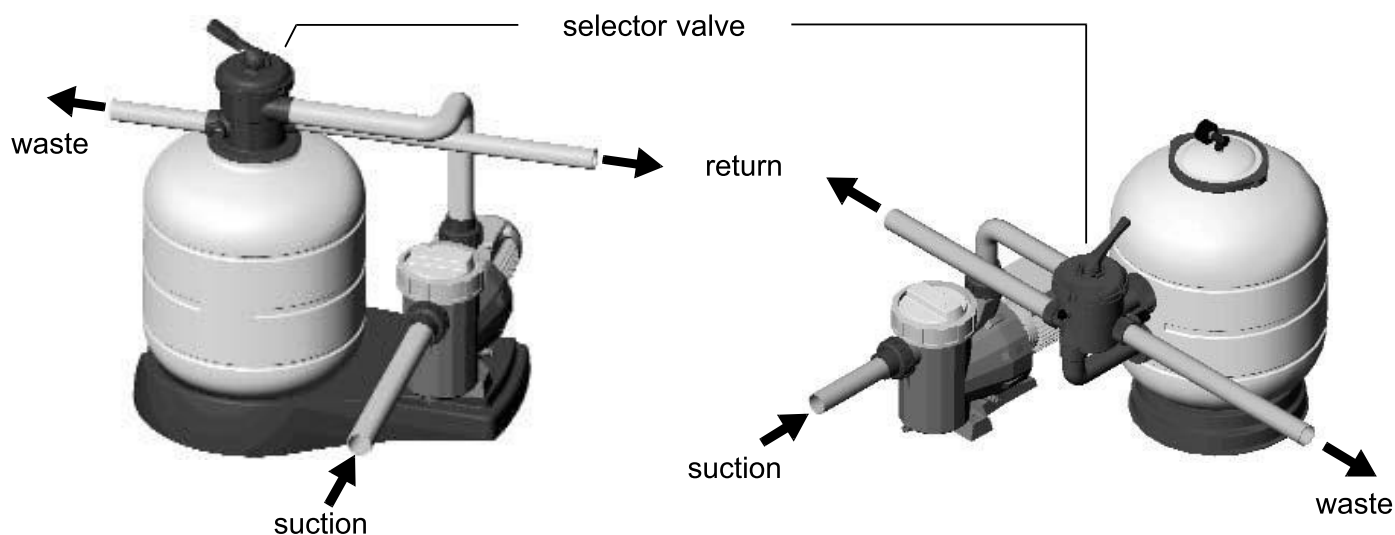
Once in the filter, the water is circulated downwards through silica sand and suspended particles are retained.

The filter sand needs to be washed at intervals to remove the particles it has retained backwash.

This is achieved by reversing the flow through the filter and directing the water containing the dislodged particles to drain.

When the filter pressure reaches over 1,3 Kg/cm<sup>2</sup> means that the sandfilter needs to be backwashed.

Bearing these principles in mind, the following installation and operation instructions should not represent any problem.



## INSTALLATION

---

The filter should be installed as close as possible to the swimming pool and preferably at a level of 0,50 metres below the surface of the water in the swimming pool. Make sure there is drainage available at the place where the filter is to be installed.

**⚠ IMPORTANT:** Do not use an iron and hemp pipe for the selector valve connection, it is essential to use plastic accessories and TEFLON tape. Pipe terminals are available threaded fixing in 1 ½ “ and 2”.

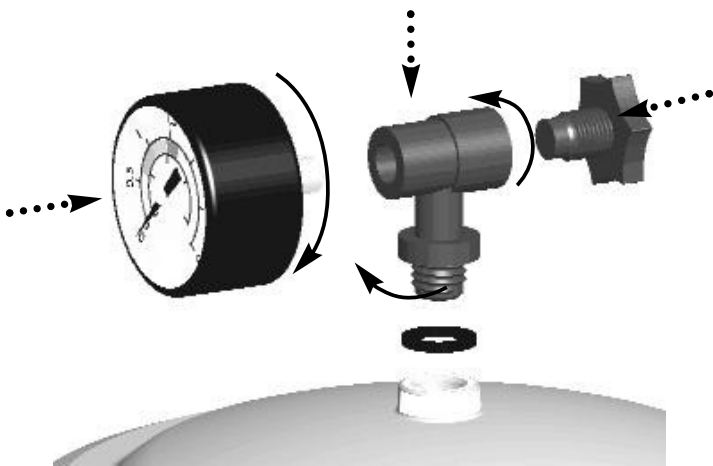
**Always leave enough space round the filter in order to perform the necessary examinations and maintenance during the filter's life, minimum 20cm.**

## ASSEMBLY

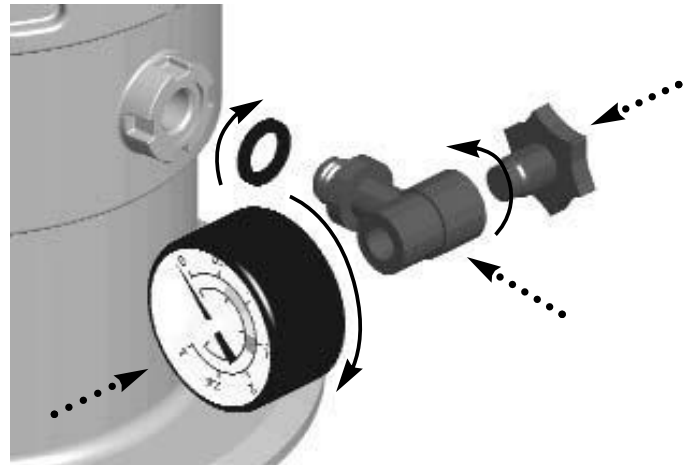
---

Follow these indications for a correct assembly of the filter:

- 1.- Place the filter on a horizontal and clean surface.
- 2.- Place the filter in its final location.
- 3.- In case of a filter with a lateral valve, install the selector valve in the filter. Make sure that the joints between the valve and the filter are correctly placed.
- 4.- Perform the three connections of the selector valve: pump piping to the valve, valve to the waste drain and valve to the pool return. Each of these three outlets is clearly identified on the valve.
- 5.- Set the manometer T, the joint, the manometer and the air drainage (see exploded view). It is not necessary to use Teflon tape, as the watertightness is guaranteed in this case by the joint. Do not tighten the manometer T with a tool, as manually will be sufficient.



Assembly of the manometer (with lateral valve)



Assembly of the manometer (with top valve)

## SAND LOAD

---

In order to obtain maximum efficiency from your filter, it should be filled with silica sand with a grain size classification of 16 / 32 inches. With the quantity indicated on the plate specifying the characteristics; proceed as follows:

- 1.- Load up when the filter is installed in position and the connection pipes have been joined.
- 2.- Take off the lid and joint.
- 3.- Fill the filter with water to half capacity.
- 4.- Pour the required quantity of sand inside the filter.
- 5.- Clean the seating of the lid joint.
- 6.- Fix the filter lid in place.

## FILTRATION PROCESS

---

The selector valve has a handle of 6 positions that selects any of the necessary operations to obtain the maximum efficiency from the filter.

**⚠ IMPORTANT: Always switch off the pump, when changing the position of the selector valve.**

## FILTRATION

---

With the pump switched off, place the handle of the selector valve in the FILTERING position.

Switch on the pump.

During this operation, it is advisable to observe the pressure gauge from time to time as this indicates the degree of saturation of the filter. When the pressure reaches 18.5 PSI a "BACKWASH" should be carried out. The main drain and skimmer valves will be regulated according to the quantity of floating material found on the surface of the water. Bear in mind that with the main drain valve fully open there will be little suction from the skimmers. If the surface sweep of the skimmers is to be stronger, reduce the flow from the main drain.



**0,8 kg/cm<sup>2</sup> - 11,4 PSI:** Normal pressure at the beginning of a filtering cycle.



**1,3 kg/cm<sup>2</sup> - 18,5 PSI:** This pressure indicates that it is necessary to "BACKWASH".

## BACKWASH

---

Each load of sand forms thousands of channels which pick up all the material contained and caught up in the filtering process, the number of free channels allowing the water to pass is continually decreasing. This is why the pressure rises progressively until it reaches 1,3 Kgs/cm<sup>2</sup>. At this pressure the filtering sand is unable to collect any more impurities and must be cleaned as follows:

Turn the selector valve to the "BACKWASH" position and with the main drain and return valves open, switch on the pump and run it for 2 minutes. When this operation is completed, the dirt blocking the filter will have been removed.





## RECIRCULATE

In this position, the selector valve allows the water from the pump to go directly to the swimming pool without passing through the inside of the filter.



## WASTE

If the swimming pool needs to be drained, this can be done using the filter pump. In order to do this, the selector valve should be in the “WASTE” position. The motor is run with the main drain valve fully open, for the pump to have sufficient suction. For the pump to suction, keep the prefilter and the main drain pipes full of water. Before drainage, make sure that the skimmer valves and the bottom cleaner valves are closed.



## RINSE

After the carrying out the “BACKWASH” operation on the filter and placing the installation in the “FILTER” position, the water flowing into the swimming pool will be cloudy for a few seconds, so to prevent it from reaching the swimming pool there is a “RINSE” position for the selector valve which is operated as follows: immediately after the “BACKWASH” put the valve in the “RINSE” position and switch on the pump for 1 minute, after which the pump is switched off and the valve placed in the “FILTER” position.

This position ensures that the filtered water goes directly to the drain.



## CLOSED

---

As its name indicates, this position is for closing off the water from the filter to the pump and it is used for opening the collector prefilter of the pump.



## START-UP

---

When the filter has been loaded, the sand must be washed. Proceed as follows:

- 1.- Place the selector valve in the "LAVADO" (BACKWASH) position.
- 2.- Open the valves controlling the swimming pool suction pipes and run the pump for 4 minutes.
- 3.- Stop the pump, place the handle of the selector valve into the "RINSE" position and rinse for 1 min. Then, stop the pump and place the handle of the selector valve into "FILTRATION" (FILTERING) position.

When this has been done, the filter will be ready to start the filtering cycles for the water in the swimming pool.

**⚠ IMPORTANT: The pump should be switched off when the position of the selector valve handle is being changed.**

## MAINTENANCE

---

Do not use solvents for cleaning the filter, this could damage the filter, especially its finish.

Always replace the joints and pieces that may not be in good condition.

Backwash and rinse when needed, as per the instructions specified in this manual.

Clean the sand every year for a better performance with solid or liquid ASTRAL Filnet product. It's recommended to change the sand inside the filter approximately every 3 years.

**Winter period:**

In order not to damage the filter during the winter period, please follow the instructions below:

Perform a backwash and a rinse as previously detailed.

Remove the water from the filter.

Take off the lid to ventilate the filter in the period of inactivity.

When you need to start up the filter again after a period of inactivity, follow the instructions stated in the paragraph "START UP".

**THE MOST COMMON PROBLEMS**

EFFECT	POSSIBLE CAUSE	SOLUTION
The filter only provides a small volume of the filtered water. Vacuum heads have poor suction.	Prefilter blocked.	Clean filter.
	Motor turning the wrong way.	Check by the arrow on the body of the prefilter which way the motor is turning, if this is not correct, reverse the motor connections*.
	Suction pipes are blocked.	Proceed to clean.
The pressure rises rapidly during a filter cycle.	Water pH is high (Cloudy water).	Decrease the pH with ASTRAL pH-MINOR.
	Lack of chlorine (Greenish coloured water).	Add chlorine.
The pressure gauge varies considerably.	The pump is taking in air.	Check for leaks in the prefilter and suction pipes.
	Suction is half closed.	Check that the suction valves are completely open.

\*If there is no arrow, the direction of the motor can be checked as follows:

Stand in front of the pump, i. e. where the inlet pipe is situated (with the motor behind). Make sure that the direction of the motor is anticlockwise.

## SAFETY WARNINGS

---

Never start up the system without water.

Whenever you operate the filter or the selector valve, switch off the pump first.

Never allow children or adults to sit on the system.

Do not connect the filter directly to the water network, as the pressure of the water may be too high and exceed the maximum work pressure allowed by the filter.

Do not clean the lid with solvents, as it may damage its properties (finish, transparency ...).

As all the connections are made with joints, it is not necessary to tighten the nuts excessively in order to avoid that some plastic pieces could break.

## **QU'ARRIVE-T-IL À L'EAU DE VOTRE PISCINE?**

---

Logiquement c'est la première question à se poser. Avant, la plupart des piscines ne disposaient pas d'installation de dépuración. Elles étaient simplement remplies d'eau propre et après quelques jours, quand l'eau avait un aspect désagréable, elles étaient vidées, nettoyées et remplies à nouveau. Cela, sans aucun doute, présentait divers inconvénients : gaspillage d'eau, insalubrité de la piscine et bain peu agréable dû à une insuffisante transparence de l'eau. La société actuelle exige : économie, hygiène et commodité. Pour ces raisons, nous devons équiper les piscines des installations et traitements appropriés.

Quand la piscine est remplie avec de l'eau du réseau public ou d'un puit, généralement, nous pouvons observer qu'elle est propre mais son exposition au soleil et à l'air produit les deux phénomènes suivants :

- 1.- L'eau se contamine des microorganismes de l'atmosphère, plus ceux introduits par les baigneurs et, en ne s'oxygénant pas, les parasites se reproduisent dans la piscine en formant des algues. Cette formation de vie est favorisée par la température ambiante élevée qui accompagne généralement le traitement de la piscine (l'été dans les piscines découvertes, chauffage dans les piscines couvertes). L'eau prend alors une coloration verte.
- 2.- L'air et la pluie introduisent dans l'eau des quantités de poussières, terre et feuilles qui la troublent.

L'introduction de ces deux éléments dans l'eau donne le résultat suivant en très peu d'heures ou en quelques jours : une piscine pas du tout hygiénique et désagréable au bain.

Le moyen de combattre ces deux problèmes est le suivant :

### 1.- TRAITEMENT "CHIMIQUE"

Il faut maintenir dans l'eau une quantité de désinfectant (chlore, brome, oxygène...) suffisante pour que les bactéries et microorganismes introduits puissent être détruits de suite.

Nous vous conseillons le chlore, car c'est la méthode la plus utilisée.

### 2.- TRAITEMENT "PHYSIQUE"

Equiper la piscine d'un filtre qui par intermédiaire d'une pompe retiendra en son intérieur toutes les matières en suspension dans l'eau.

## **LE pH**

---

Le PH est le degré d'acidité de l'eau. Les taux de PH sont compris entre 0 et 14, le taux 7 correspondant au degré neutre, les taux entre 0 et 7 à des degrés acides et entre 7 et 14 à des degrés alcalins. Les taux habituels dans une piscine sont compris entre 6,8 et 8,4.

## **Pourquoi le PH est-il important?**

“LE TAUX IDÉAL DU PH DANS UNE PISCINE DOIT ÊTRE SITUÉ ENTRE 7,2 ET 7,6”.

Avant il était conseillé de maintenir dans l'eau une quantité de chlore résiduel suffisante pour la destruction des bactéries. Mais ce chlore n'agira efficacement comme bactéricide que quand l'eau où se dissoudra aura un PH compris entre 7,2 et 7,6.

Si vous voulez donc détruire les bactéries, il faut maintenir le PH au taux indiqué.

D'autres éléments obligent à maintenir le PH correctement. S'il est supérieur à 7,6 le calcaire de l'eau est visible, trouble l'eau et lui donne un aspect laiteux, obturant rapidement le filtre et s'accrochant aux parois et aux accessoires. Si le taux de PH est inférieur à 7,2, l'eau est corrosive produisant des irritations des yeux et des muqueuses nasales et pouvant même détruire les parties métalliques de l'installation de filtration.

Il apparaît donc que la qualité de l'eau dépend beaucoup du taux du PH.

## **LE CHLORE**

---

### **Normes légales**

Les réglementations sanitaires en vigueur préconisent le taux de chlore libre dans l'eau des piscines compris entre 0,20 et 0,60 milligrammes par litre. (On dit aussi – c'est identique- que le contenu de chlore libre est de 0,2 à 0,6 ppm- parts par million).

### **Ce que nous appelons chlore libre ou résiduel**

Dans l'eau, même après la filtration, il reste un certain nombre d'ennemis invisibles qu'il faut détruire.

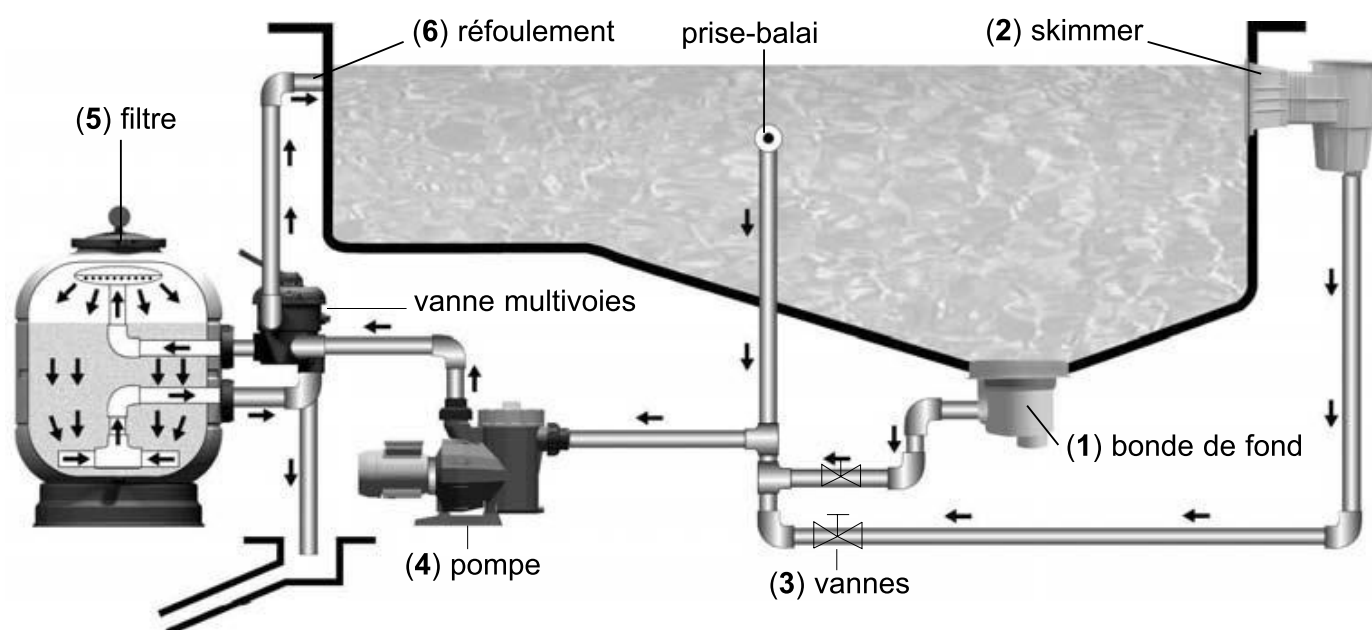
Pour cette destruction, il faut une quantité déterminée de chlore qui agit sous forme d'acide chlorhydrique. Le chlore ajouté au dessus du taux nécessaire pour détruire les bactéries et oxyder la matière organique reste libre dans l'eau sous la forme d'acide hypochloridique dans l'attente d'agir contre quelques ennemis bactéries, matières organiques, etc... qui sont introduits à nouveau dans l'eau soit par le baigneur, soit par les agents atmosphériques : vent, pluie, etc... ou par une autre cause.

Le chlore qui reste dans l'eau sous forme d'acide hypochloridique dans l'attente d'agir, apporté au-dessus des nécessités immédiates, s'appelle chlore libre ou résiduel.

## LA FILTRATION

La filtration est seulement une partie du travail à réaliser pour maintenir l'eau de la piscine propre. Elle est inséparable du traitement chimique car l'un ne va pas sans l'autre pour obtenir le résultat escompté. On généralise l'idée, en achetant une installation que la machine fera tout, ce qui lui donne l'appellation de "dépurateur", alors qu'il ne s'agit que d'un filtre. La dépuración consiste en une parfaite conjonction des deux traitements, le physique et le chimique.

## PRINCIPES DE FONCTIONNEMENT



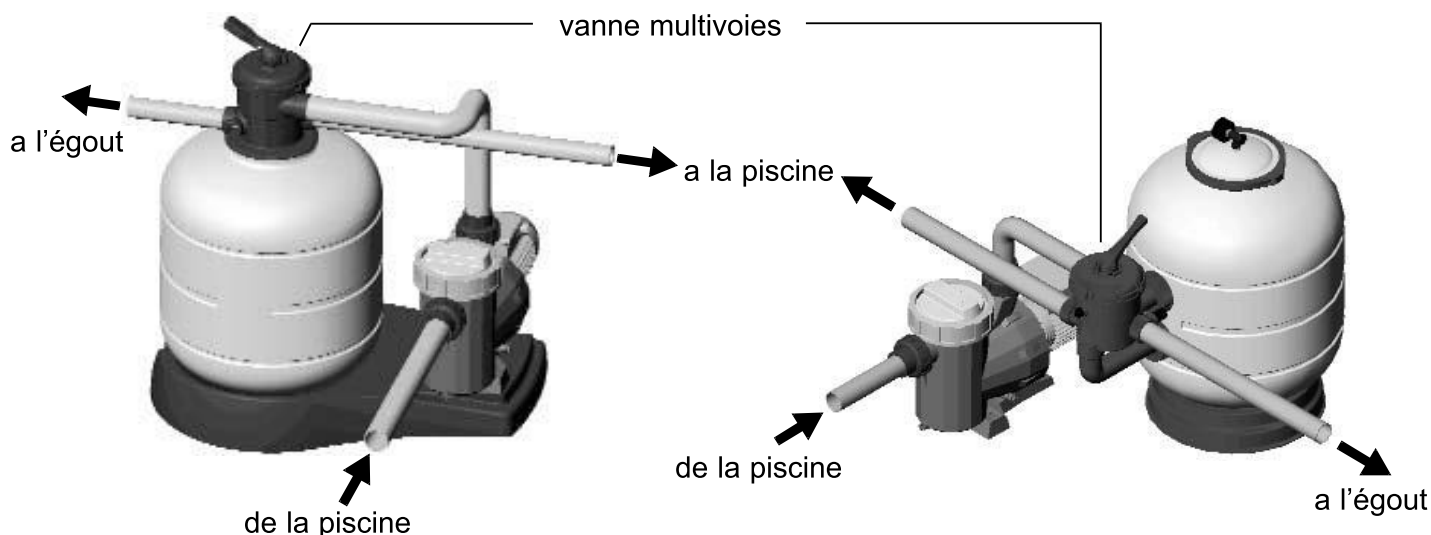
L'eau est aspirée du fond de la piscine par la bonde de fond (1) et à la surface par les skimmers (2) et arrivés au filtre (5) par des conduits séparés équipés chacun de vannes (3). L'eau filtrée est ensuite refoulée à la piscine par les bouches (6). Ces bouches de refoulement sont installées du côté opposé des skimmers et de la bonde de fond renouvelant ainsi toute l'eau de la piscine.

Le filtre proprement dit comprend la charge de sable silice au travers de laquelle circule l'eau dans le sens descendant, retenant ainsi les matières en suspension dans l'eau.

Quand le cycle de filtration fonctionne parfaitement et au bout d'un certain temps, il est nécessaire de laver le filtre car le sable est obstrué par les saletés qui empêchent l'eau de passer. Quand la pression dans le filtre est supérieure à 1,3 Kg/cm<sup>2</sup>, il est nécessaire d'effectuer un lavage.

Le lavage à contre courant permet d'inverser le sens de circulation de l'eau dans le filtre et ainsi les impuretés sont rejetées dans l'égout.

En appliquant ces informations, le fonctionnement ne doit poser aucun problème.



## L'INSTALLATION

Le filtre doit être installé le plus près possible de la piscine et de préférence à 0,50 m au-dessous du niveau de l'eau de la piscine. Prévoir un égout dans le local où sera situé le filtre.

**⚠ IMPORTANT : Ne pas utiliser pour le raccordement de la vanne multivoie des tuyauteries en fer, de la filasse et du dissolvant. Il est indispensable d'utiliser des accessoires plastiques et du téflon. Nous disposons pour cela de raccords 3 pièces en 1 ½" et 2" et de joints d'étanchéité caoutchouc. Demandez-les à votre fournisseur.**

**Toujours laisser espace suffisant autour du filtre afin de pouvoir réaliser les contrôles et l'entretien nécessaires pendant la vie utile du filtre, minimum 20cm.**

Il faut laisser un espace de 20 cm autour du filtre à fin de permettre son mouvement de travail tout obstacle du même peut le casser.

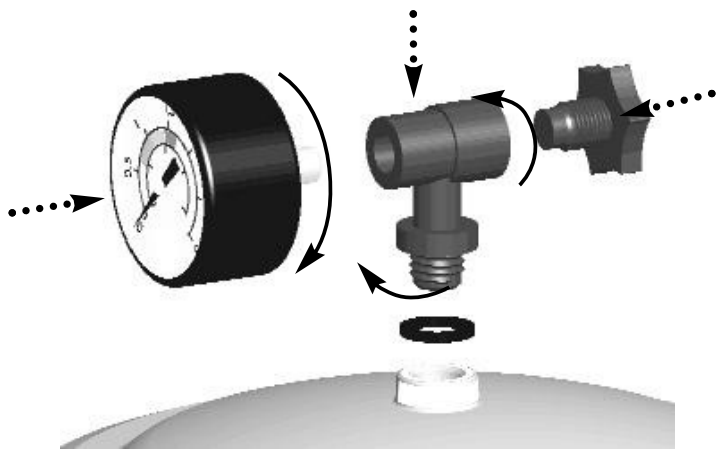
Il faut éviter les graisses, huiles et solvants, sur les pièces en plastique parce qu'elles peuvent être endommagées.

## MONTAGE

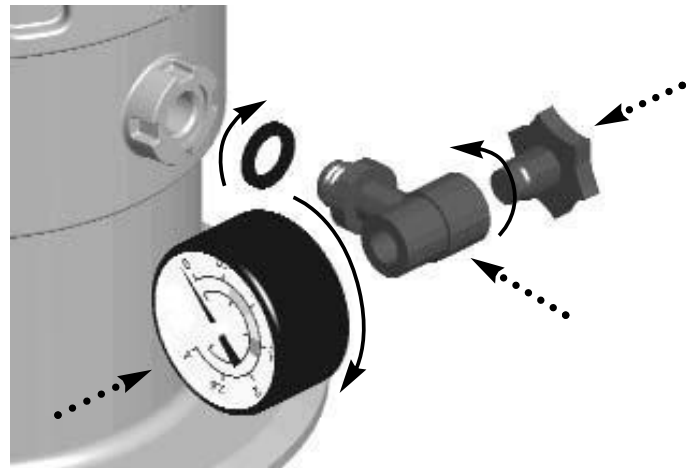
Procédez comme suit pour un correct montage du filtre:

- 1.- Son installation doit toujours être réalisée sur une surface horizontale et complètement propre.
- 2.- Installer le filtre sur l'emplacement final.
- 3.- Dans le cas d'un filtre avec vanne latérale, installer la vanne multivoie dans le filtre. Faire attention à que les joints entre la vanne et le filtre sont correctement positionnés.
- 4.- Réaliser les trois connexions de la vanne multivoie: tuyauterie de la pompe à la vanne, de la vanne à l'égout, et de la vanne au retour de la piscine. Sur la vanne, chaque sortie est dûment identifiée.
- 5.- Installer le Té manomètre, le joint, le manomètre et le bouchon de dégazage (purge) d'eau (voir schéma). Il n'est pas nécessaire l'utilisation de Téflon, car l'étanchéité est garantie par le joint. Ne





Montage du manomètre (avec vanne latérale)



Montage du manomètre (sans vanne Top)

## CHARGE DE SABLE

---

Pour obtenir le meilleur rendement de ces filtres il faut les remplir de silice, granulométrie de 0,5 à 0,7 mm, avec la quantité indiquée sur la plaque des caractéristiques.

Procéder comme suit :

- 1.- Mettre le filtre en place et raccorder les tuyauteries
- 2.- Enlever le couvercle et le joint
- 3.- Remplir le filtre avec de l'eau jusqu'à la moitié du même.
- 4.- Verser à l'intérieur du filtre la quantité de sable nécessaire
- 5.- Nettoyer la rainure du joint de couvercle
- 6.- Placer et serrer le couvercle du filtre

## MISE EN MARCHE

---

La vanne multivoie possède une manette à 6 positions qui permette sélectionner les opérations nécessaires pour le bon fonctionnement du filtre.

**⚠ IMPORTANT: Tout changement de position de la manette de la vanne multivoie doit se faire avec la pompe arrêtée.**

## FILTRATION

---

La pompe arrêtée, mettre la manette de la vanne multivoies en "FILTRATION".

Démarrer la pompe.

Pendant le fonctionnement, il est prudent de regarder de temps en temps le manomètre qui indique le degré de saturation du filtre. Quand la pression arrive à 1,3 kg/cm<sup>2</sup>, effectuer un lavage. Les vannes du fond de la piscine et les skimmers se règlent selon la quantité des matières qui flottent à la surface de l'eau. Si la vanne de la bonde de fond est complètement ouverte, l'aspiration par les skimmers est faible. Si vous désirez que les skimmers aspirent plus énergiquement à la surface de l'eau, il suffit de refermer un peu le passage de la bonde de fond.



**0,8 kg/cm<sup>2</sup> - 11,4 PSI:** Pression normale au début du cycle de filtration.



**1,3 kg/cm<sup>2</sup> - 18,5 PSI:** Cette pression indique qu'il est nécessaire de procéder à un LAVAGE.

## LAVAGE

---

Le sable forme des milliers de canaux de passage qui retiennent toutes les matières en suspension. Au fur et à mesure, les canaux se bouchent et l'eau ne peut pas passer. Pour cette raison, la pression s'élève progressivement jusqu'à atteindre 1,3 kg/cm<sup>2</sup>, ce qui indique que le sable est encombré de saletés et qu'il est nécessaire de le nettoyer de la façon suivante :

Placer la vanne multivoies en position "LAVAGE". Ouvrir les vannes de la bonde de fond et des bouches de refoulement. Démarrer la pompe. Effectuer cette manœuvre pendant 2 minutes. Cette opération permet de verser toute la saleté qui obstruait le filtre sans l'égout.



## RECIRCULATION

Dans cette position, la vanne multivoies effectue le passage de l'eau provenant de la pompe directement à la piscine sans passer par l'intérieur du filtre.



## VIDANGE

Dans le cas où il n'existe pas de vidange au fond de la piscine allant directement à l'égout, la vidange peut se faire à l'aide la pompe. Pour cette opération, placer la vanne multivoies en position de " VIDANGE ". Démarrer la pompe avec la vanne de la bonde de fond ouverte. Pour que la pompe aspire, il faut que les conduits d'eau de la bonde et le préfiltre soient pleins d'eau.

Avant de commencer la vidange, vérifier que les vannes des skimmers et de la bouche prise balai soient bien fermées.



## RINÇAGE

Après avoir procédé au " LAVAGE " du filtre, mettre en position " FILTRATION ". Pendant quelques secondes, l'eau qui arrive à la piscine est trouble. Pour éviter cela, il existe une position "RINÇAGE". Procéder comme suit : Immédiatement après de "LAVAGE", placer la vanne en position " RINÇAGE " et faire marcher la pompe pendant une minute. Puis arrêter la pompe et placer la vanne en position " FILTRATION ".



Cette position envoie l'eau sale directement à l'égout.

## FERMETURE

---

Comme le nom l'indique, cette position s'utilise pour fermer le passage de l'eau du filtre à la pompe.

Elle permet d'ouvrir le préfiltre de la pompe.



## MISE EN MARCHÉ

---

Une fois le sable versé, il est nécessaire de le laver:

- 1.- Place la vanne multivoies en position "LAVAGE"
- 2.- Ouvrir les vannes des tuyauteries d'aspiration de la piscine et mettre en marche la pompe pendant 4 minutes.
- 3.- Arrêter la pompe et placer la manette de la vanne multivoies en position "FILTRATION".  
Cette opération réalisée, le filtre est prêt à commencer les cycles de filtration de la piscine.

Cette opération réalisée, le filtre est prêt à commencer les cycles de filtration de la piscine.

**⚠ IMPORTANT : Tout changement de position de la manette de la vanne multivoies doit se faire avec la pompe arrêtée.**

## ENTRETIEN

---

Dans le nettoyage du filtre, ne pas utiliser de dissolvants qui peuvent endommager et enlever le brillant du même.

Remplacer les joints et les pièces quand nécessaire.

Réaliser les lavages et les rinçages nécessaires selon les instructions antérieurement spécifiées.

Nettoyer le sable tous les ans pour un bon service avec ASTRAL Filnet solide ou Filnet liquide. Il est conseillé de changer le sable tous les 3 ans environ.

**Hivernage:**

Afin de ne pas endommager le filtre pendant la période d'hiver, veuillez suivre les indications suivantes:

Réaliser un lavage et un rinçage selon les indications dans ce manuel.

Vider le filtre d'eau.

Enlever le couvercle du filtre pour le maintenir ventilé pendant la période d'inactivité.

Pour mettre le filtre en fonctionnement, suivre les instructions spécifiées dans le paragraphe MISE EN SERVICE.

**PANNES LES PLUS FRÉQUENTES**

EFFET	CAUSES	SOLUTION
Le filtre a un faible débit d'eau filtrée. Débit de l'aspiration insuffisant.	Panier préfiltre bouché.	Nettoyer le panier.
	La pompe tourne à l'envers.	Vérifier que la pompe tourne dans le sens de la flèche qui est gravée sur le corps du préfiltre. Dans la négative, inverser le branchement du moteur *.
	Les tuyauteries d'aspiration ou de refoulement sont bouchées.	Nettoyez-les.
La pression s'élève rapidement pendant le cycle de filtration.	pH de l'eau élevé (eau trouble).	Diminuer le pH avec Astral PH Minor.
	Manque de chlore (eau verte).	Ajouter du chlore.
Le manomètre oscille violemment.	Prise d'air de la pompe.	Supprimer les fuites d'eau dans le panier préfiltre et les tuyauteries d'aspiration.
	Aspiration à moitié fermée.	Vérifier que les vannes d'aspiration sont totalement ouvertes.

\*Dans les cas où la flèche n'existe pas, on peut aussi vérifier le sens de la façon suivante:

Se placer devant la pompe, ou plutôt devant la partie où se trouve l'aspiration (le moteur derrière). Vérifier que le moteur tourne dans le sens inverse des aiguilles d'une montre.

## AVERTISSEMENTS DE SÉCURITÉ

---

Ne pas faire fonctionner l'appareil sans eau.

Ne pas manipuler le système avec le filtre branché.

Ne pas laisser enfants ou adultes s'asseoir sur le système.

Ne pas faire une connexion directe du filtre au réseau d'eau, car la pression de l'eau peut être très élevée et supérieure à la pression maximale de travail permise du filtre.

Ne pas nettoyer l'ensemble du couvercle avec dissolvant, car on risque à perdre les propriétés (brillant, transparence...)

Faire attention à ne pas casser les différentes pièces en plastique: il n'est pas nécessaire de serrer les écrous en excès car tout l'assemblage est fait par des joints d'étanchéité.

## QUÉ OCURRE CON EL AGUA DE SU PISCINA?

---

Lógicamente ésta es la primera pregunta que debemos hacernos. Antiguamente la mayoría de las piscinas no disponían de una instalación de depuración y funcionaban sencillamente llenándolas con agua limpia y en el transcurso de ciertos días cuando el agua presentaba un aspecto desagradable, se vaciaban, limpiaban y se llenaban nuevamente. Esto sin lugar a dudas representaba varios inconvenientes: Gastos de agua, insalubridad de la piscina y un baño poco agradable debido a la insuficiente transparencia del agua. La sociedad actual exige: Economía, higiene y comodidad, por estas razones debemos dotar a las piscinas de las instalaciones y tratamientos necesarios.

Cuando se llena en verano la piscina con agua de suministro público o pozo, generalmente se observa que ésta es limpia, pero al estar expuesta al sol y al aire ocurren dos fenómenos básicos:

- 1.- El agua se contamina de los microorganismos que existen en la atmósfera más los que introducen los bañistas y al no haber oxigenación por estar estancada, estos parásitos se reproducen en la piscina, formándose algas. Esta formación de vida se ve favorecida por la temperatura ambiente elevada que suele acompañar al tratamiento de la piscina (verano en piscinas descubiertas, calefacción en cubiertas) tomando el agua una coloración verde.
- 2.- El aire y la lluvia introducen en el agua cantidades de polvo, tierra y hojas que la enturbian.

Estos dos factores que inciden sobre la piscina logran en pocas horas o en escasos días obtener un resultado: Una piscina totalmente anti-higiénica y nada agradable para el baño.

El modo de combatir estos dos problemas es:

### 1.- TRATAMIENTO “QUÍMICO”

Se mantendrá en el agua una cantidad de desinfectante (cloro, bromo, oxígeno...) suficiente para que las bacterias y microorganismos que se introduzcan en ella puedan ser destruidos al momento.

Tomaremos el cloro como referencia ya que es el método más utilizado.

### 2.- TRATAMIENTO “FÍSICO”

Dotando a la piscina de un filtro que por medio de una bomba retenga en su interior toda la materia en suspensión del agua.

## **EL pH**

---

El pH es el grado de acidez del agua. Los valores de pH están comprendidos entre 0 y 14, correspondiendo el valor 7 al grado neutro, los valores entre 0 y 7 a los grados ácidos y entre 7 y 14 a los alcalinos, si bien los valores usuales en una piscina son los comprendidos entre los valores 6, 8 y 8,4.

### **¿Por qué es importante el pH?**

“EL VALOR IDEAL DE pH EN LA PISCINA DEBE ESTAR SITUADO ENTRE 7,2 Y 7,6”.

Anteriormente se indica que para la destrucción de bacterias, debemos mantener en el agua una cantidad de cloro residual suficiente para ello; pero este cloro sólo actuará eficazmente como bactericida cuando el agua donde se diluye tenga un pH comprendido entre 7,2 y 7,6. Por lo indicado, es indispensable que si se tienen que destruir las bacterias se debe de mantener el pH entre los valores mencionados.

Existen otros factores que obligan a mantener el pH correcto. De ser superior a 7,6, el calcio (la cal) disuelto en el agua se precipitará de forma visible, enturbiando el agua y dándole un aspecto lechoso, obstruyendo rápidamente el filtro y precipitándose en las paredes y accesorios de la piscina. Cuando el valor de pH sea inferior a 7,2 el agua será corrosiva, produciendo irritaciones en los ojos y mucosas nasales, pudiendo llegar a dañar las partes metálicas de la instalación de filtración.

La calidad del agua de la piscina, depende de que se mantenga un valor pH correcto.

## **EL CLORO**

---

### **Normas legales**

Las disposiciones sanitarias españolas vigentes determinan que el contenido de CLORO LIBRE en el agua de las piscinas debe estar comprendido entre 0,20 a 0,60 miligramos por litro. (También se dice -es lo mismo- que el contenido de CLORO LIBRE es de 0,2 a 0,6 ppm. -partes por millón-).

### **Qué se entiende por cloro libre o residual**

En el agua aún después de filtrada, existen una serie de enemigos invisibles que es preciso destruir.

Para esta destrucción se necesita una cantidad determinada de cloro que actuará bajo la forma de ácido hipocloroso. El que se añade por encima de esa cantidad, es decir por encima del necesario para destruir las bacterias y oxidar la materia orgánica, queda libre en el agua bajo la forma de ACIDO HIPOCLOROSO en espera de actuar contra cualquier enemigo.

Este cloro que queda en el agua en espera de actuar se denomina CLORO LIBRE O RESIDUAL.

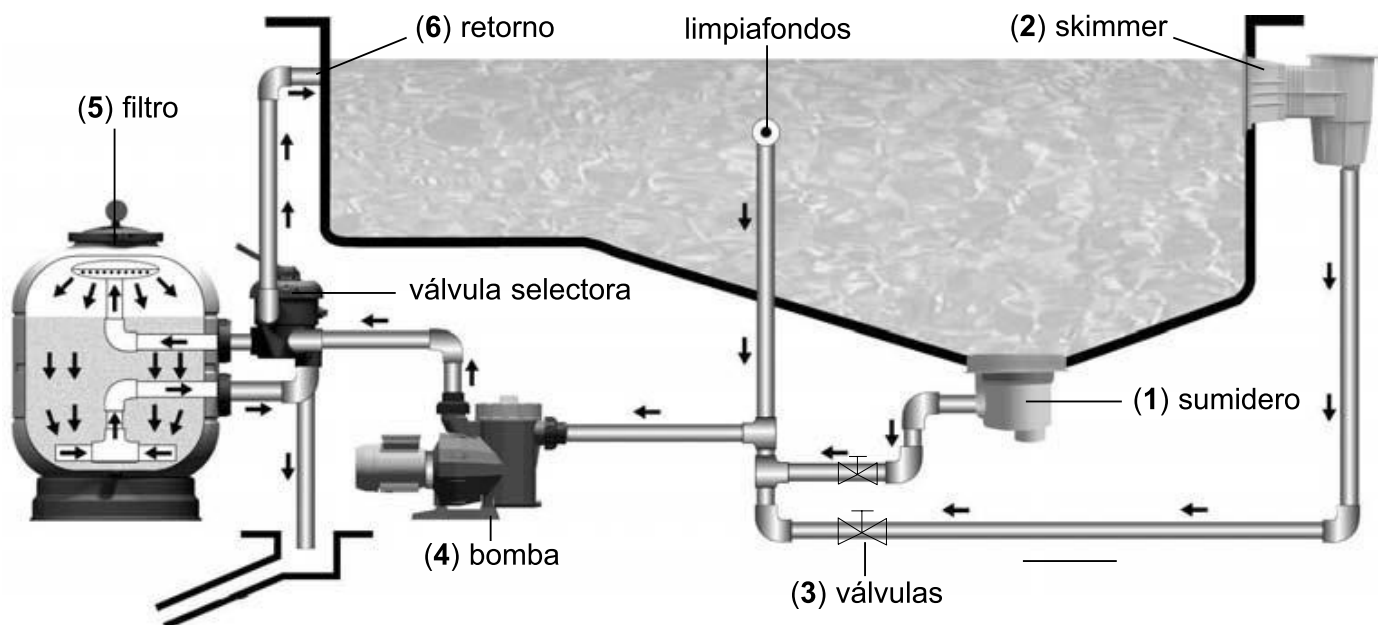


## LA FILTRACIÓN

La filtración, es sólo una parte del trabajo a realizar para mantener limpia una piscina y además inseparable del tratamiento químico, ya que la una sin la otra por sí solas no consiguen el fin buscado. Con esto queremos indicar que sólo con el filtro no se conseguirá nada si no va acompañado de un buen tratamiento químico.

Está muy generalizada la idea al adquirir una instalación que la máquina lo hará todo, hasta el punto de que ésta la llamamos “depurador” cuando verdaderamente es sólo un filtro, y la depuración consiste en una perfecta conjunción de los dos tratamientos, el químico y el físico.

## PRINCIPIOS DE FUNCIONAMIENTO



El agua se aspira del fondo de la piscina a través del sumidero (1) y de la superficie por medio de los skimmers (2), llegando a través de la bomba (4) al filtro (5) por conducciones separadas provistas de sus correspondientes válvulas (3) y retornándolo a la piscina a través de unos distribuidores (6, boquillas de impulsión). Las boquillas van instaladas en el lado opuesto del sumidero y skimmers, proporcionando de esta manera una renovación total del agua de la piscina.

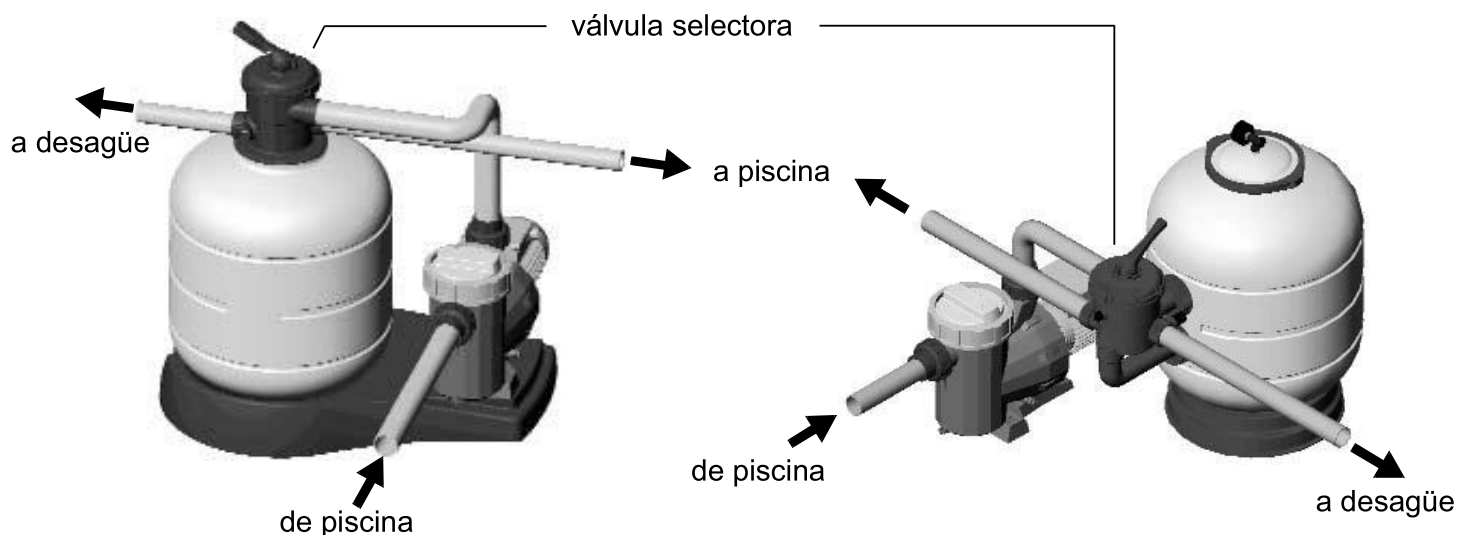
El filtro propiamente dicho lo compone la carga de arena sílica a través de la cual se hace circular el agua en sentido descendente, reteniendo entre ella las materias en suspensión del agua a filtrar.

Una vez iniciado el ciclo de filtración y al cabo de cierto tiempo será preciso lavar el filtro, ya que la arena se habrá obstruido con la suciedad, impidiendo el paso del agua.

Cuando la presión en el filtro ha subido por encima de 1,3 Kg./cm<sup>2</sup>, significa que es la hora de un lavado.

Con el lavado a contra-corriente se consigue invertir el sentido de circulación del agua en el filtro y con ello se expulsa al desagüe las materias filtradas.

Teniendo presente estos datos importantes, las instrucciones de manejo que a continuación se detallan no deben de ofrecer dificultad para su aplicación.



## INSTALACIÓN

El filtro deberá instalarse lo más cerca posible de la piscina y con preferencia a un nivel de 0,50 mts. por debajo de la superficie de agua de la piscina. Prever que exista un desagüe para el local en donde radique el filtro.

**⚠ IMPORTANTE:** No usar para el empalme de la válvula selectora tubería de hierro y cáñamo, es imprescindible usar accesorios plásticos y cinta de teflón. Disponemos para estos empalmes de terminales roscados a 1½" y 2" y juntas de goma de estanqueidad, solicítelos a su proveedor.

Alrededor del filtro tiene que haber el espacio suficiente para poder hacer las inspecciones y mantenimientos requeridos durante la vida del mismo, mínimo 20cm.

Dejar un espacio de 20 cm alrededor del filtro para permitir su movimiento en trabajo, cualquier impedimento del mismo puede provocar una rotura.

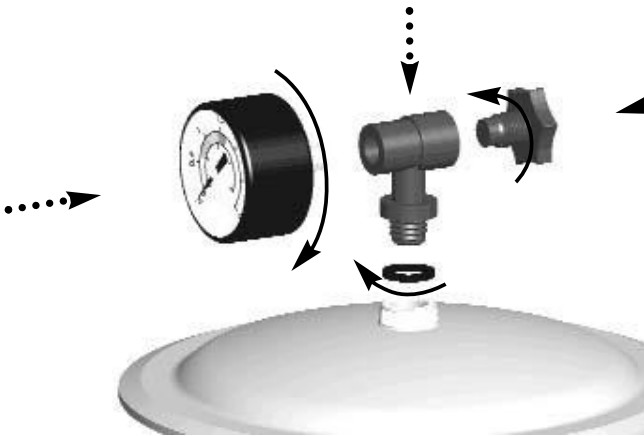
No se deben poner grasas, aceites o disolventes en las piezas de plástico, esto podría dañarlas.

## MONTAJE

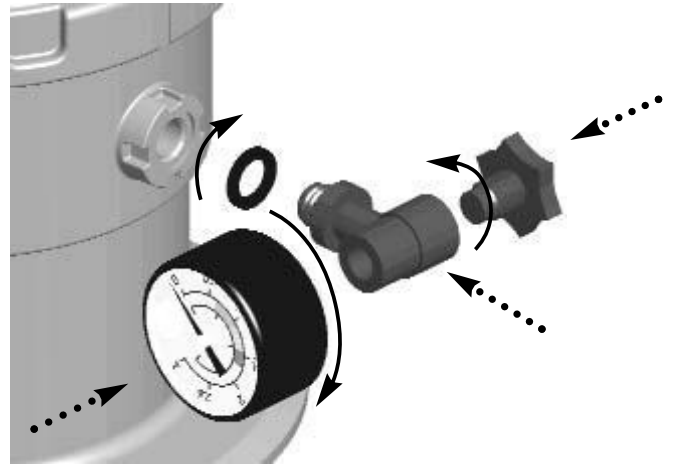
Para un correcto montaje del filtro proceder de la siguiente manera:

- 1.- Procurar que la superficie donde se instale el filtro sea horizontal y esté completamente limpia.
- 2.- Instalar el filtro en su emplazamiento final.
- 3.- En el caso de un filtro con válvula lateral, instalar la válvula selectora en el filtro, procurando que las juntas entre la válvula y el filtro queden correctamente posicionadas.
- 4.- Realizar las tres conexiones pertinentes de la válvula selectora: tubería de la bomba a la válvula, de la válvula al desagüe y de la válvula al retorno de la piscina. En la válvula se identifica cada una de las tres salidas.

- 5.- Montar la te manómetro, la junta, el manómetro y el tapón purga aire (ver despiece). No es necesario utilizar cinta de teflón, ya que la estanqueidad en este punto se hace con la junta. No apretar la te manómetro con ninguna herramienta ya que con las manos es suficiente.



**Montaje manómetro (con válvula lateral)**



**Montaje manómetro (con válvula top)**

## CARGA DE ARENA

Para obtener el máximo rendimiento de este filtro deberá rellenarse con arena silíceas de una granulometría de 0,5 a 0,7 mm. Con la cantidad indicada en la placa de características, proceder como sigue:

- 1.- Efectuar la carga una vez esté situado el filtro en su emplazamiento e instaladas las tuberías de unión.
- 2.- Retirar la tapa y la junta.
- 3.- Llenar el filtro con agua hasta la mitad del mismo.
- 4.- Verter en el interior del filtro la cantidad de arena necesaria.
- 5.- Limpiar el alojamiento de la junta de la tapa.
- 6.- Colocar y sujetar la tapa del filtro.

## FUNCIONAMIENTO

La válvula selectora dispone de una palanca con 6 posiciones que permite seleccionar cualquier de las operaciones necesarias para un correcto funcionamiento del filtro.

**⚠ IMPORTANTE:** Efectuar siempre los cambios de posición de la válvula selectora, con la bomba parada.

## FILTRACIÓN

---

Con la bomba parada situar la maneta de la válvula selectora en "FILTRACIÓN".

Poner en marcha la bomba.

Durante el funcionamiento es conveniente observar periódicamente el manómetro, el cual nos indica el grado de saturación del filtro. Cuando la presión llegue a 1,3 kg/cm<sup>2</sup>, se realizará un "LAVADO". Las válvulas del fondo de la piscina y skimmers se regularán según la cantidad de materias flotantes que se encuentren en la superficie del agua. Téngase presente que con la válvula del sumidero totalmente abierta la aspiración por los skimmers será pequeña. Si se desea que el barrido superficial de los skimmers sea más enérgico basta con estrangular el paso del sumidero.



**0,8 kg/cm<sup>2</sup> - 11,4 PSI:** Presión normal al iniciar un ciclo de filtración.



**1,3 kg/cm<sup>2</sup> - 18,5 PSI:** Esta presión indica que es necesario proceder al LAVADO

## LAVADO

---

Cada carga de arena forma miles de canales de paso, que recogen todas las materias que contienen y que quedan retenidas en la arena filtrante y en consecuencia el número de canales libres el paso del agua va disminuyendo constantemente. Es por este motivo que la presión se eleva progresivamente hasta alcanzar 1,3 kgs/cm<sup>2</sup>. Esto indica que la arena filtrante no puede admitir más suciedad y es necesaria su limpieza procediendo de la siguiente forma:

Se colocará la válvula selectora en posición "LAVADO", y con las válvulas de sumidero y retorno abiertas, se pondrá en funcionamiento la bomba. Efectuar esta maniobra durante 2 minutos. Con esta operación se habrá vertido al desagüe toda la suciedad que obstruía el filtro.



## RECIRCULACIÓN

En esta posición la válvula selectora efectúa el paso del agua procedente de la bomba directamente a la piscina, sin pasar por el interior del filtro.



## VACIADO

En el caso de que la piscina no pueda desaguar directamente al alcantarillado, por no existir desagüe a nivel del fondo de la piscina, el vaciado puede realizarse por medio de la bomba del filtro. Para efectuar esta operación se deberá situar la válvula selectora en posición de "VACIADO". Con la válvula de sumidero abierta se conectará el motor. Para que la bomba aspire, tienen que mantenerse llenos de agua el prefiltro y toda la conducción de agua del sumidero.



Antes de conectar el vaciado se asegurará que las válvulas de skimmers y limpiafondos están cerradas.

## ENJUAGUE

Después de haber realizado un "LAVADO" del filtro y poner la instalación en posición de "FILTRACIÓN", el agua durante unos segundos afluye a la piscina de color turbio, con el fin de evitar que esta agua turbia circule a la piscina existe esta posición de la válvula selectora "ENJUAGUE". Operar como sigue: Inmediatamente después del "LAVADO" situar la válvula en posición de "ENJUAGUE" y conectar la bomba durante 1 minuto, transcurrido éste parar la bomba y situar la válvula en "FILTRACIÓN".



Esta posición envía el agua filtrada directamente al desagüe.

## CERRADO

---

Como su nombre indica se utiliza para cerrar el paso del agua del filtro a la bomba, se utiliza para poder abrir el cesto recoje-cabellos (prefiltro) de la bomba.



## PUESTA EN MARCHA

---

Una vez cargado el filtro de arena es necesario efectuar un lavado de la misma. Proceder del modo siguiente:

- 1.- Colocar la válvula selectora en la posición de "LAVADO".
- 2.- Abrir las válvulas que controlan las tuberías de aspiración de piscina y conectar la bomba, durante 4 minutos.
- 3.- Parar la bomba, colocar la válvula en posición "ENJUAGUE" y enjuagar durante 1 minuto. Después, parar la bomba y colocar la maneta de la válvula selectora en posición "FILTRACIÓN".

Una vez realizada esta operación dispondremos del filtro preparado para empezar los ciclos de filtración del agua de la piscina.

**⚠ IMPORTANTE:** Efectuar los cambios de posición de la maneta de la válvula selectora con la bomba desconectada.

## MANTENIMIENTO

---

Para limpiar el filtro no utilizar disolventes, ya que puede desaparecer el brillo del mismo y resultar dañado.

Sustituir cuando lo precisen las piezas y juntas deterioradas.

Realizar los lavados y enjuagues necesarios según las instrucciones de funcionamiento.

Limpiar la arena anualmente para un mejor servicio con ASTRAL Filnet sólido o Filnet líquido. Se recomienda cambiar la arena cada 3 años aproximadamente.

**Invernaje:**

Para no dañar el filtro durante el periodo de invernaje es necesario realizar las siguientes operaciones: Realizar un lavado y enjuague según las instrucciones anteriores.

Vaciar el filtro de agua.

Quitar la tapa del filtro para mantenerlo ventilado durante el periodo de inactividad.

Quando sea necesario volver a poner el filtro en funcionamiento, seguir las instrucciones de PUESTA EN MARCHA.

**AVERÍAS MÁS USUALES**

PROBLEMA	POSIBLE CAUSA	SOLUCION
El filtro da poco caudal de agua filtrada. El limpiafondos aspira poco agua.	Filtro cabellos taponado.	Limpiar filtro cabellos.
	Motor gira al revés.	Comprobar mediante la flecha que existe en el cuerpo del filtro de cabellos el sentido de giro del motor, caso de no ser correcto invertir el conexionado del motor*.
	Tuberías de aspiración o impulsión taponadas.	Proceder a su limpieza.
La presión se eleva rápidamente durante el ciclo de filtración.	pH del agua elevado (agua turbia).	Disminuir pH con ASTRAL pH Minor.
	Falta de cloro (agua verdosa).	Añadir cloro.
Manómetro de presión oscila de forma violenta.	La bomba toma aire.	Repasar fugas de agua en filtro de cabellos y tuberías aspiración.
	Aspiración semicerrada.	Comprobar que las válvulas de aspiración estén totalmente abiertas.

\*En caso de no existir la flecha indicadora también podemos comprobar el giro de la siguiente forma:

Situarse delante de la bomba, o sea, en la misma parte donde está la tubería de admisión (el motor detrás). Se asegurará que el giro del motor sea a la inversa del sentido de giro de las manecillas del reloj.

## **ADVERTENCIAS DE SEGURIDAD**

---

No haga funcionar el equipo sin agua.

Siempre que deba manipular el filtro o válvula, desconéctelo de la toma de corriente.

No permita a niños o adultos sentarse sobre el equipo.

No conectar directamente el filtro a la red de agua, ya que la presión de la misma puede ser muy elevada y exceder la presión máxima de trabajo del filtro.

No limpiar el conjunto de la tapa con ningún tipo de disolvente, ya que podría perder sus propiedades (brillo, transparencia,...)

Debido a que todas las uniones se hacen con juntas, no es necesario apretar las tuercas excesivamente a fin de evitar la rotura de las diferentes piezas de plástico.



## COSA OCCORRE CON L'ACQUA DELLA SUA PISCINA?

---

Logicamente questa è la prima domanda che dobbiamo porci. In passato la maggior parte delle piscine non disponevano della installazione di un depuratore e funzionavano semplicemente riempiendo con acqua limpida e, trascorso un certo numero di giorni quando l'acqua presentava un aspetto sgradevole, si svuotavano, si pulivano e si riempivano nuovamente. Questa soluzione senza alcun dubbio rappresenta vari inconvenienti: spese dia acqua, insialubrità della piscina e un bagno poco gradevole dovuto alla insufficiente limpidezza dell'acqua. La società attuale esige: economia, igiene e comodità, per queste ragioni dobbiamo dotare alle piscine delle installazione e trattamenti necessari.

Quando si riempie in state la piscina con acqua potabile o del pozzo, generalmente si deve osservare che questa sia limpida, però restando esposta al sole e all'aria si verificano due fenomeni comuni:

- 1.- L'acqua si contamina dai microorganismi che esistono nell'atmosfera più quelli che introducono i bagnanti e non avendo ossigenazione si ristagna riproducendo parassiti nella piscina formando alghe. Questa formazione di vita viene favorita per la temperatura ambiente elevata prendendo l'acqua una colorazione verde.
- 2.- L'aria e la pioggia introduce nell'acqua quantità di polvere, terra e foglie che la intorbidiscono.

Questi due fattori che incidono sopra la piscina, logorano in poche ore o in pochi giorni con il seguente risultato: una piscina totalmente amigienica e niente piacevole per il bagno.

Il modo di combattere questi due problemi sono:

### 1.- TRATTAMENTO "CHIMICO"

Si manterrà nell'acqua una quantità di disinfettante (cloro, bromo, ossigeno...) sufficiente perchè i bacteri e i microorganismi che si introducono in essa possono essere distrutti al momento.

Indichiamo il cloro perchè è che il metodo più usuale per questo fine.

### 2.- TRATTAMENTO "FISICO"

Dotando la piscina di un filtro che per mezzo di una pompa trattenga all'interno tutta la materia in sospensione dell'acqua.

## IL pH

---

Il pH è il grado di acidità dell'acqua. I valori del pH sono compresi entro 0 e 14, corrispondendo al valore 7 grado neutro, i valori entro 0 e 7 i gradi acidi e entro 7 e 14 sono alcalini. I valori usuali in una piscina sono compresi entro il 6,8 e 8,4.

## **PERCHE E IMPORTANTE IL pH?**

---

“IL VALORE IDEALE DEL PH NELLA PISCINA DEVE ESSERE SITUATO ENTRO 7,2 E 7,6”.  
Precedentemente si indica che per la distruzione dei batteri, dobbiamo mantenere nell'acqua una quantità di cloro residuo sufficiente per esso; però questo cloro sarà efficace come battericida quando il valore dell'acqua avrà il pH compreso tra il 7,2 e 7,6. Per distruggere i batteri si devono mantenere i valori menzionati.

Esistono altri fattori che obbligano a mantenere il pH perfetto. Se è superiore a 7,6 il calcio disciolto nell'acqua precipiterà in forma visibile intorbidando l'acqua, dandole un aspetto latiginoso, ostruendo rapidamente il filtro precipitando sul fondo e intaccando gli accessori della piscina. Quando il valore del pH è inferiore a 7,2, l'acqua sarà corrosiva, producendo irritazione agli occhi e mucose nasali, potendo arrivare a distruggere le parti metalliche che possono comporre la piscina.

Per quanto detto si può dedurre che il grado di qualità dell'acqua della piscina dipende dal valore del pH che ha.

## **IL CLORO**

---

### **Norme legali**

Le disposizioni sanitarie vigenti determinano che il contenuto di cloro libero nell'acqua della piscina deve essere compreso entre 0,20 a 0,60 miligrammi per litro (0,2 a 0,6 ppm.).

### **Cosa si intendere per cloro libero o residuo**

Nell'acqua, dopo filtrata, esistono una serie di nemici invisibili che è giusto distruggere.

Per questa distruzione è necessaria una quantità determinata di cloro che abbassi la forma di acido ipocloroso. I batteri, la materia organica ecc. si introducono nell'acqua attraverso bagnanti, agenti atmosferici (vento, pioggia, ecc.).

Il cloro che rimane nell'acqua sotto forma di acido ipocloroso si denomina CLORO LIBERO o RESIDUO.

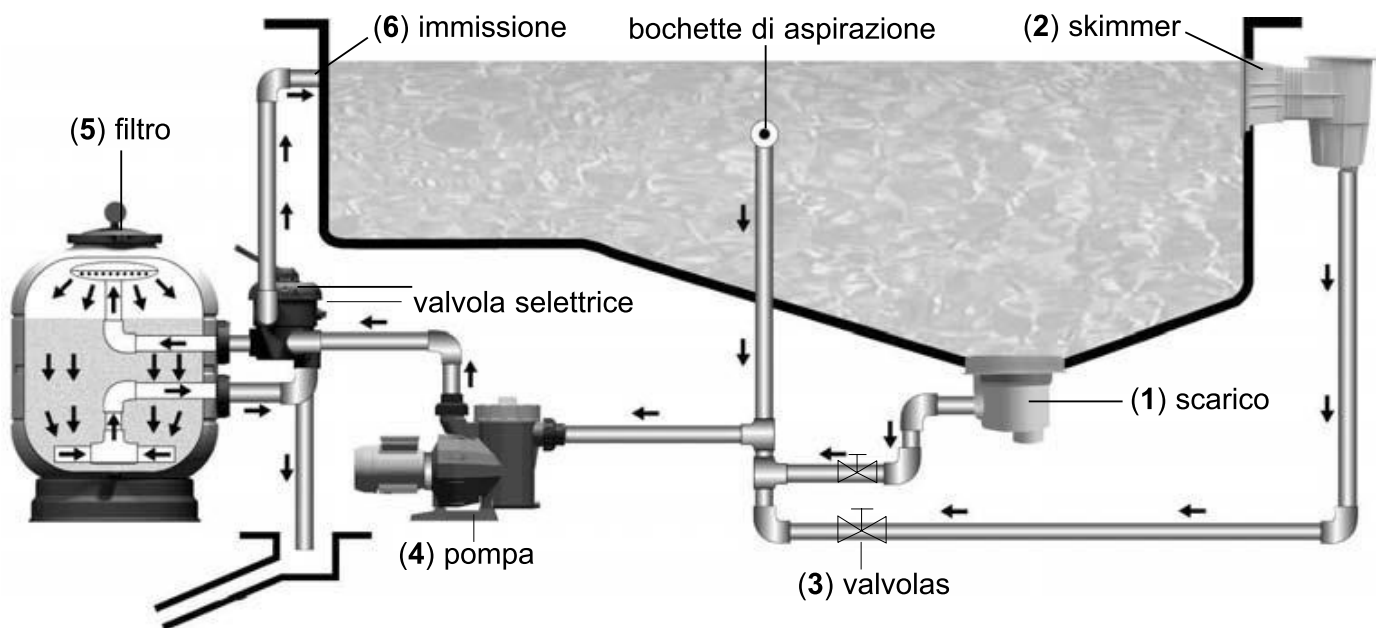
## **LA FILTRAZIONE**

---

La filtrazione, è solo una parte del lavoro da realizzare per mantenere limpida una piscina oltre al trattamento chimico.

Sia l'una che l'altra da sole non possono conseguire un buon risultato.

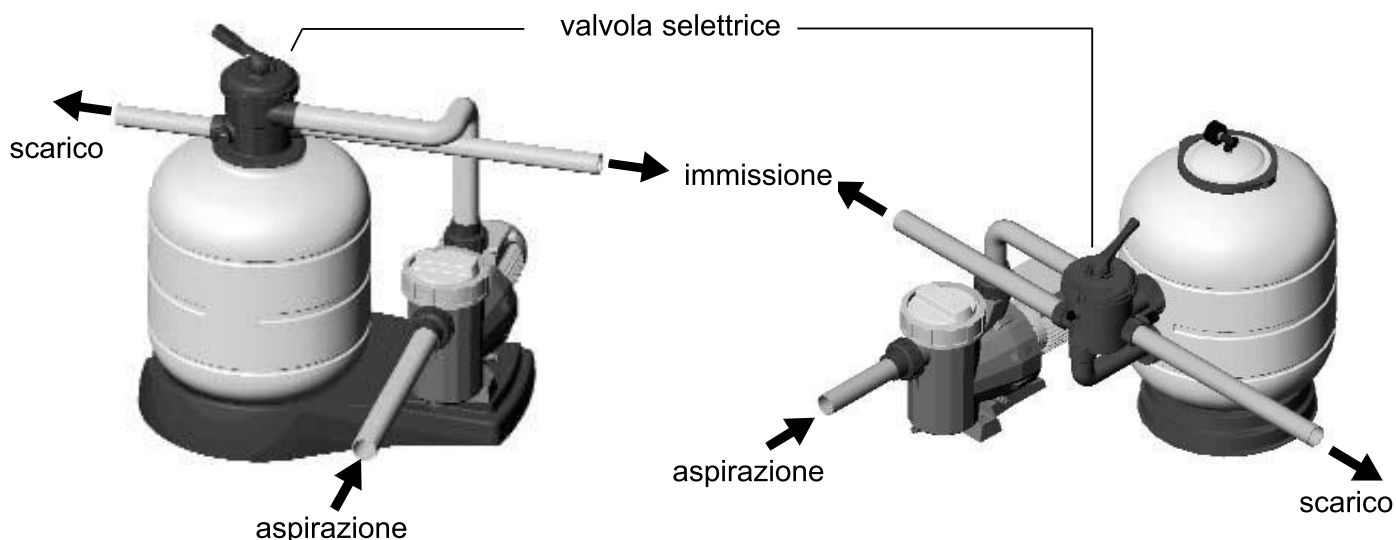
## PRINCIPIO DI FUNZIONAMENTO



L'acqua si aspira dal fondo delle piscine attraverso lo scarico (1) e dalla superficie tramite gli skimmers (2), arrivando al filtro (5) con tubi separati provvisti dalle rispettive valvole (3) e ritornando alla piscina attraverso le bocchette (6). Le bocchette di immissione vanno installati sul lato opposto dello scarico e degli skimmers, proporzionando in questa maniera una rinnovazione totale dell'acqua della piscina. Il filtro propriamente detto lo compone la sabbia quarzifera o silicea attraverso al quale si fa circolare l'acqua dall'alto verso il basso, trattenendo in esso i materiali in sospensione dell'acqua da filtrare. Una volta iniziato il ciclo di filtrazione, dopo un certo tempo, sarà necessario lavare il filtro per sottrarre alla sabbia lo sporco che si è venuto a depositare favorendo così il passaggio dell'acqua che si era venuta ad ostruire. Quando la pressione nel filtro è superiore a  $1,3 \text{ kg/cm}^2$ , bisogna effettuare un lavaggio.

Con il lavaggio in contro corrente si inverte la circolazione dell'acqua nel filtro e con ciò si espelle a scarico il materiale filtrato.

Tenendo presente questi dati importanti, le istruzioni di trattamento e alcuni dettagli, non si avrà alcuna difficoltà ad avere efficienza in tutto.



## INSTALLAZIONE

Il filtro dovrà installarsi il più vicino possibile all' piscina e preferibilmente ad un livello di 0,50 mt. sotto il livello dell'acqua della piscina. Precedere uno scarico nel locale dove è situato il filtro.

**⚠ IMPORTANTE:** Non usare per il montaggio della valvola selettiva tubi di ferro e canapa, è indispensabile usare accessori in plastica e nastro di TEFLON. Disponiamo per questo montaggio raccordi filettati da 1 ½" e 2" e guarnizioni in gomma di tenuta, chiedeteli al vostro fornitore. Intorno al filtro lasciare lo spazio sufficiente per poter realizzare le ispezioni e le operazioni di manutenzione necessarie durante il corso della vita utile dello stesso, minimo 20cm.

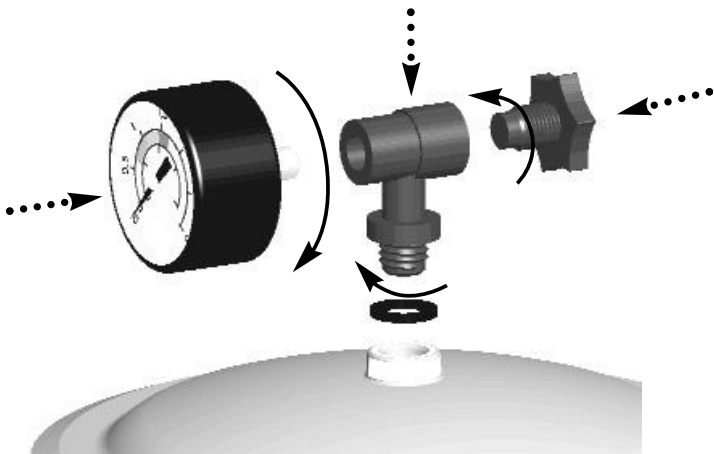
Lasciare uno spazio di 20 cm attorno al filtro per permettere il suo movimento quando è in funzione, qualsiasi impedimento potrebbe provocare la sua rottura.

Non si devono mettere grassi, oli o solventi nei pezzi in plastica, potrebbero danneggiarli.

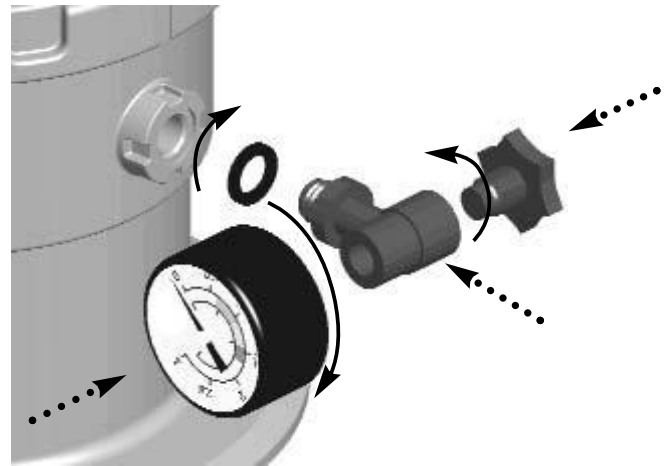
## MONTAGGIO

Per un montaggio corretto del filtro, si renderà necessario procedere nella seguente maniera:

- 1.- Fare in modo tale che la superficie dove venga installato il filtro sia orizzontale e completamente pulita.
- 2.- Installare il filtro nella sua sede finale.
- 3.- Nel caso in cui si tratti di un filtro con valvola laterale, si renderà necessario installare la valvola di selezione nel filtro, facendo in modo tale che le giunture tra la valvola e il filtro vengano posizionate in modo corretto.
- 4.- Realizzare i tre allacci pertinenti della valvola selettiva: tubatura dalla pompa alla valvola, dalla valvola allo scarico e dalla valvola al ritorno della piscina. Nella valvola sono identificate tutte le tre uscite.
- 5.- Montare il manometro e il tappo per la purga dell'aria (vedi illustrazione di montaggio). Non è necessario



Montaggio manometro (con valvola laterale)



Montaggio manometro (con valvola top)

## CARICO DI SABBIA

---

Per ottenere il massimo rendimento di questo filtro dovrà riempirsi con sabbia quarzifera o silicea di una granulometria da 0,5 a 0,7 mm., in quantità sufficiente descritta sull'etichetta e procedere come segue:

- 1.- Togliere il coperchio e la guarnizione.
- 2.- Effettuare il carico una volta situato il filtro ed installata la tubazione.
- 3.- Riempire il filtro con la quantità di sabbia necessaria.
- 4.- Riempire il filtro con acqua fino a metà dello stesso.
- 5.- Pulire la sede della guarnizione del coperchio.
- 6.- Rimettere la guarnizione ed il coperchio e stringere con le viti.

## FUNZIONAMENTO

---

La valvola di selezione dispone di una leva con 6 posizioni che consente di selezionare ciascuna delle operazioni necessarie a un corretto funzionamento del filtro.

**⚠ IMPORTANTE:** effettuare sempre i cambi di posizione della valvola di selezione con la pompa spenta.

## FILTRAZIONE

---

Con la pompa spenta situare la maniglia della valvola selettiva in posizione di "FILTRAZIONE".

Mettere in funzione la pompa.

Durante il funzionamento è consigliabile controllare periodicamente il manometro. Ciò permetterà di gradire i gradi di saturazione del filtro. Quando la pressione arriva a 1,3 Kg/cm<sup>2</sup> si effettuerà un lavaggio. Le valvole del fondo e degli skimmers della piscina si regoleranno secondo la quantità del materiale in superficie dell'acqua. Da tener presente che la valvola dello scarico di fondo totalmente aperta, l'aspirazione dello skimmer sarà inferiore. Se si desidera un'aspirazione dello skimmer più forte sarà sufficiente strozzare il passo dello scarico di fondo.



**0,8 kg/cm<sup>2</sup> - 11,4 PSI:** Pressione normale per il ciclo di filtrazione.



**1,3 kg/cm<sup>2</sup> - 18,5 PSI:** Questa pressione indica che è necessario procedere al LAVAGGIO.

## LAVAGGIO

---

Quando si riempie il filtro di sabbia, si creano molti canali preferenziali ma, poiché essa contiene materiale estraneo ciò evita gradualmente il passaggio dell'acqua. Ed è per questo motivo che la pressione si eleva progressivamente fino a 1,3 Kgs/cm<sup>2</sup>. Questo indica che il letto filtrante non può sopportare più sporcizia quindi, sarà necessario pulirlo procedendo nella seguente maniera:

Si colloca la valvola selettiva in posizione di Lavaggio (LAVADO) e con le valvole dello scarico di fondo e mandata aparte si metterà in funzione la pompa. Effettuare questa operazione per due minuti.



Con questa manovra si scaricherà a fogna tutta la sporcizia che ostruiva il filtro.

## RICIRCOLAZIONE

In questa posizione la valvola selettiva effettuerà il passaggio dell'acqua procedendo direttamente alla piscina senza passare dal filtro.



## SCARICO

Nel caso che la piscina non si possa scaricare direttamente alla fognatura, poichè non esiste scarico al livello del fondo, lo scarico si può effettuare tramite la pompa del filtro. Per effettuare questa operazione si dovrà situare la valvola selettiva in posizione di scarico (VACIADO).

Con la valvola dello scarico di fondo aperta si attacherà il motore. Perchè la pompa aspiri è necessario mantenere pieno di acqua il cestello e tutta la tubazione dello scarico di fondo.



Prima di iniziare lo scarico assicurarsi che le valvole degli skimmers e delle bocchette aspirafango siano chiuse.

## RISCIACQUO

Dopo aver realizzato il LAVAGGIO del filtro e messa la valvola selettiva in posizione di "FILTRAZIONE", l'acqua, per alcuni secondi, affluisce in piscina con un colore torbido. Per evitare che l'acqua torbida circoli in piscina esiste questa posizione della valvola selettiva RISCIACQUO (ENJUAGUE).

Operare come segue: subito dopo il lavaggio situare la valvola in posizione di RISCIACQUO ed attaccare la pompa per un minuto, trascorso tale tempo spegnere la pompa e situare la valvola in posizione di "FILTRAZIONE".



## CHIUSO

---

Si utilizza per chiudere il passaggio dell'acqua del filtro alla pompa.  
Si utilizza per poter aprire il coperchio della pompa dovendo pulire il cestello.



## MESSO IN FUNZIONE

---

Una volta caricato il filtro di sabbia è necessario effettuare un lavaggio della stessa e procedere nel seguente modo:

- 1.- Collocare la valvola selettiva in posizione di lavaggio
- 2.- Aprire le valvole che controllano le tubazioni di aspirazione ed attaccare la pompa per 4 minuti
- 3.- Staccare la pompa e collocare la maniglia della valvola selettiva in posizione di FILTRAZIONE.

Una volta realizzata questa operazione disporremo del filtro pronto per iniziare i cicli di filtrazione dell'acqua della piscina.

**⚠ IMPORTANTE: Effettuare i cambi di posizione della maniglia della valvola selettiva con la pompa ferma.**

## MANUTENZIONE

---

Per pulire il filtro non bisogna utilizzare solventi, dato che ciò può danneggiarlo e eliminare la brillantezza dello stesso.

Quando necessario, bisogna sostituire le giunte e i pezzi deteriorati.

Realizzare i lavaggi e gli sciacqui necessari in base alle istruzioni di funzionamento.

Lavare la sabbia annualmente per un miglior servizio con ASTRAL Filnet solido oppure Filnet liquido. Si consiglia di cambiare la sabbia circa tutti i 3 anni.

### **Conservazione durante il periodo di svernamento:**

Per non danneggiare il filtro durante il periodo invernale, si renderà necessario realizzare le seguenti operazioni:



Realizzare un lavaggio e uno sciacquo secondo le istruzioni precedentemente indicate.

Svuotare l'acqua dal filtro.

Togliere il coperchio del filtro per mantenerlo ventilato durante il periodo d'inattività.

Quando sia necessario rimettere il filtro in funzionamento, basterà seguire le istruzioni di MESSA IN MARCIA.

## **AVARIE PIÙ USUALI**

EFFETTO	CAUSA	SOLUZIONE
Il filtro da poca portata di acqua filtrata. L'aspirafango aspira con poca acqua.	Filtro con capelli intasato.	Pulire il filtro dai capelli.
	Motore che gira nel senso inverso.	Controllare la freccia che esiste sul corpo del motore, ne caso girase nel senso inverso, invertire il collegamento dei fili *.
	Tubi di aspirazione e di mandata intasati.	Procedere alla pulizia.
La pressione si eleva rapidamente durante il ciclo di filtrazione.	pH dell'acqua elevato (acqua torbida).	Diminuire il pH con Astral pH Minor.
	Mancanza di cloro (Acqua verde).	Aggiungere Cloro.
Manometro di pressione che oscilla con una certa violenza.	La pompa aspira aria.	Pulire il cestello del prefiltro ed eventualmente le tubazioni di aspirazione.
	Aspirazione semi-chiusa.	Controllare che le valvole di aspirazione siano totalmente aperte.

\*Se non c'è nessuna freccia sul motore, si può controllare il giro come segue:

Situarse davanti alla pompa, comprovare che il giro del motore è al senso antiorario.

## **AVVERTIMENTI DI SICUREZZA**

Non metta in funzionamento il sistema senza acqua.

Quando deve manipolare il filtro o la valvola, disinserisca la presa di corrente.

Non consenta a bambini o adulti di sedersi sul sistema.

Non bisogna connettere direttamente il filtro alla rete dell'acqua, dato che la pressione della stessa può essere molto elevata ed eccedere la pressione massima di lavoro del filtro.

Non bisogna pulire l'insieme del coperchio con nessun genere di solvente, dato che potrebbe perdere le sue proprietà (brillantezza, trasparenza,...)

Dato che tutte le unioni vengono realizzate con giunte, non è necessario stringere eccessivamente i bulloni, per evitare la rottura dei vari pezzi di plastica.

**WAS GESCHIEHT MIT DEM WASSER IN IHREM SCHWIMMBAD?** 

---

Logischerweise ist dies die erste Frage, die wir uns stellen müssen. Früher waren die meisten Schwimmbäder nicht mit Reinigungsanlagen ausgestattet und wurden betrieben, indem einfach sauberes Wasser eingefüllt wurde und nach einigen Tagen, wenn das Wasser ein unangenehmes Aussehen bekam, wurden sie entleert, gereinigt und wieder gefüllt. Dieses Vorgehen hatte zweifellos einige Nachteile: Wasserkosten, ungesunde Bedingungen des Schwimmbades und wenig angenehmes Baden auf Grund der ungenügenden Transparenz des Wassers. Unsere heutige Gesellschaft fordert: Wirtschaftlichkeit, Hygiene und Bequemlichkeit. Aus diesen Gründen müssen wir die Schwimmbäder mit den nötigen Einrichtungen versehen und ihnen die notwendigen Behandlungen zukommen lassen.

Wenn im Sommer das Schwimmbad mit Wasser aus dem öffentlichen Versorgungsnetz oder Brunnen gefüllt wird, kann man im allgemeinen beobachten, dass das Wasser sauber ist; bald jedoch werden, wegen der Sonneneinstrahlung und Einwirkungen der Umweltluft folgende grundlegende Erscheinungen auftreten:

- 1.- Das Wasser wird durch Mikroorganismen aus der Umweltluft verunreinigt, sowie durch solche, die durch die Badegäste eingebracht werden. Da es sich um ein stehendes Gewässer handelt, wird kein Sauerstoff eingebracht, was dazu führt, dass sich die Parasiten im Schwimmbad vermehren und Algen produzieren. Diese Bildung von Leben wird noch durch hohe Temperaturen gefördert, (Sommer in Freibädern, Heizung in Hallen-Bädern), was dazu führt, dass das Wasser eine grünliche Farbe bekommt.
- 2.- Luft und Regen bringen in das Wasser Mengen von Staub, Erde und Blättern ein, welche zur Trübung beitragen.

Diese beide Faktoren, welche auf das Schwimmbad einwirken, bewirken in wenigen Stunden oder Tagen folgendes Ergebnis: ein absolut unhygienisches Schwimmbad, welches nicht zum Baden einlädt.

Diese beiden Probleme werden auf folgende Weise bekämpft:

**1.- "CHEMISCHE" BEHANDLUNG (WASSERPFLEGE)**

Dem Wasser wird eine ausreichende Menge von Entkeimungsmittel (Chlor, Brom, Sauerstoff...) zugesetzt, das die Bakterien und Mikroorganismen, sofort zerstören kann.

Als Referenzprodukt wird Chlor genommen, da dieses das am häufigsten eingesetzte Desinfektionsmittel ist.

**2.- "PHYSISCHE" BEHANDLUNG**

Das Schwimmbad wird mit einem Filter ausgerüstet, welcher mit Hilfe einer Pumpe in seinem Inneren alles im Wasser schwebende Partikel zurückhält.

## **pH-WERT**

---

Die pH-Wert-Skala liegt zwischen 0 und 14, wobei Wert 7 "Neutral" bedeutet, Werte zwischen 0 und 7 bedeuten "sauer" und zwischen 7 und 14 "basisch". Die Werte in einem Schwimmbad schwanken normalerweise zwischen 6,8 und 8,4.

### **Warum ist der pH-Wert wichtig?**

"DER IDEALE pH-WERT IN EINEM SCHWIMMBAD LIEGT ZWISCHEN 7,2 UND 7,6".

Wir wissen bereits, dass wir zur Zerstörung von Bakterien einen ausreichenden Restchlorgehalt im Wasser beibehalten müssen; aber dieses Chlor wirkt nur dann wirkungsvoll als Bakterizid, wenn das Wasser, in dem es gelöst wird, einen pH-Wert zwischen 7,2 und 7,6 aufweist. Aus diesem Grund ist es unabdingbar, dass zur Zerstörung der Bakterien der pH-Wert zwischen den genannten Werten gehalten wird.

Ausserdem gibt es noch andere Faktoren, die einen richtigen pH-Wert zwingend machen. Bei Werten über 7,6 schlägt sich die gelöste Härte (Kalk) sichtbar nieder und trübt das Wasser mit einem milchigen Aussehen, verschmutzt schnell den Filter und schlägt sich an den Wänden und Zubehör im Schwimmbad nieder. Wenn der pH-Wert unter 7,2 liegt, wird das Wasser ätzend, und verursacht Reizungen in Augen und Nase und kann sogar Metallteile des Schwimmbads in Mitleidenschaft ziehen.

Aus den genannten Gründen hängt die Qualität des Schwimmbadwassers zu einem Grossteil von einem korrekten pH-Wert ab.

## **DAS CHLOR**

---

### **Gesetzliche Vorschriften**

Die Vorschriften zum Chlorgehalt im Schwimmbad-Wasser sind von Land zu Land verschieden. Die gültigen spanischen Gesundheitsvorschriften bestimmen, dass der FREIE CHLORGEHALT im Schwimmbadwasser zwischen 0,20 und 0,60 mg pro Liter betragen muss, (oder, was das gleiche ist, das der FREIE CHLORGEHALT 0,2 bis 0,6 ppm – Teile pro Million- betragen muss).

### **Was bedeutet freies oder Restchlor**

Im Wasser befinden sich, auch nach dem Filtern, eine Reihe von unsichtbaren "Feinden", die zerstört werden müssen.

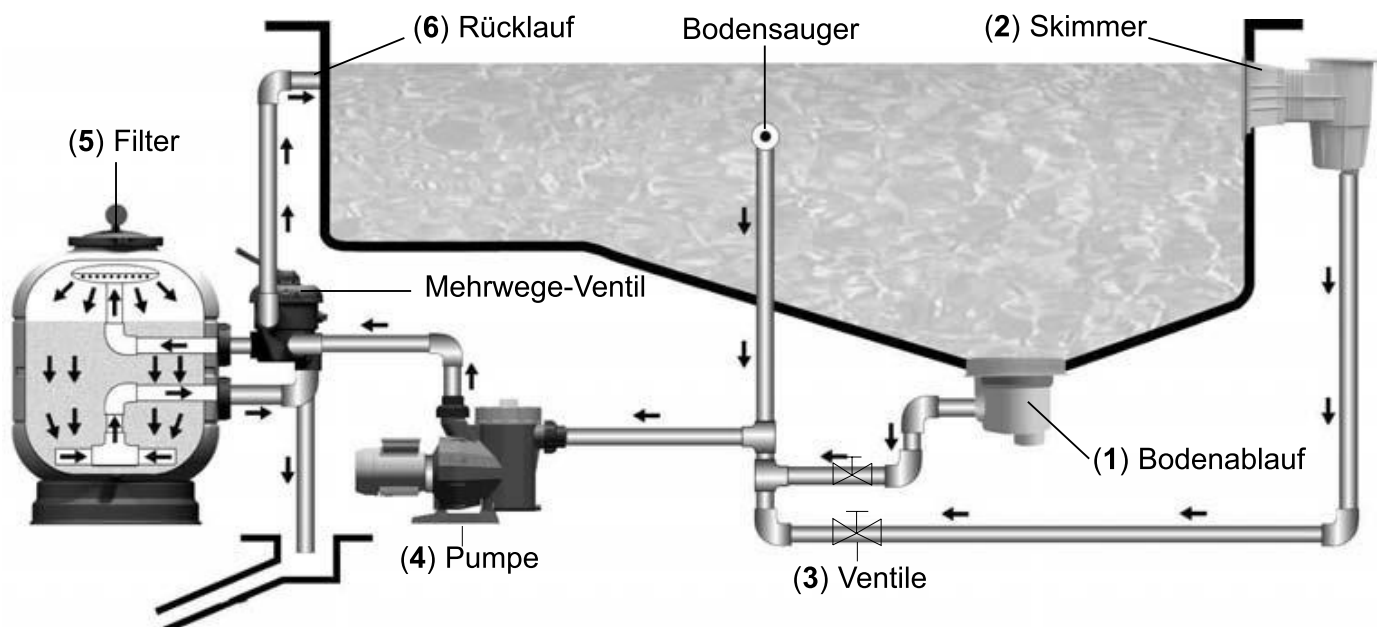
Zu diesem Zweck braucht man eine gewisse Menge von Chlor. Die überschüssige Menge, d. h. die Menge, die nach der Zerstörung der Bakterien und der organischen Substanzen, noch vorhanden ist, bleibt frei im Wasser in der Form von unterchloriger Säure.

Dieses Chlor, das im Wasser auf seinen "Einsatz" wartet, wird FREIES ODER RESTCHLOR genannt.

## DAS FILTERN

Filtern ist nur ein Teil der Arbeit, welche zur Reinhaltung des Schwimmbades nötig ist und ausserdem untrennbar von der chemischen Behandlung, da eines ohne das andere nicht das gewünschte Ergebnis bringt. Damit wollen wir darauf hinweisen, dass nur mit einem Filter nichts erreicht wird, wenn nicht zusätzlich eine gute chemische Wasserpflege durchgeführt wird. Die Idee ist weitverbreitet, dass, mit der Anschaffung einer Filteranlage, diese alles macht. Dies geht soweit, dass wir sie als „Reinigungsanlage“ bezeichnen, obwohl es sich in Wirklichkeit nur um einen Filter handelt und die Reinigung in einer perfekten Kombination beider Behandlungen besteht, der chemischen und der physischen.

## ARBEITSWEISE



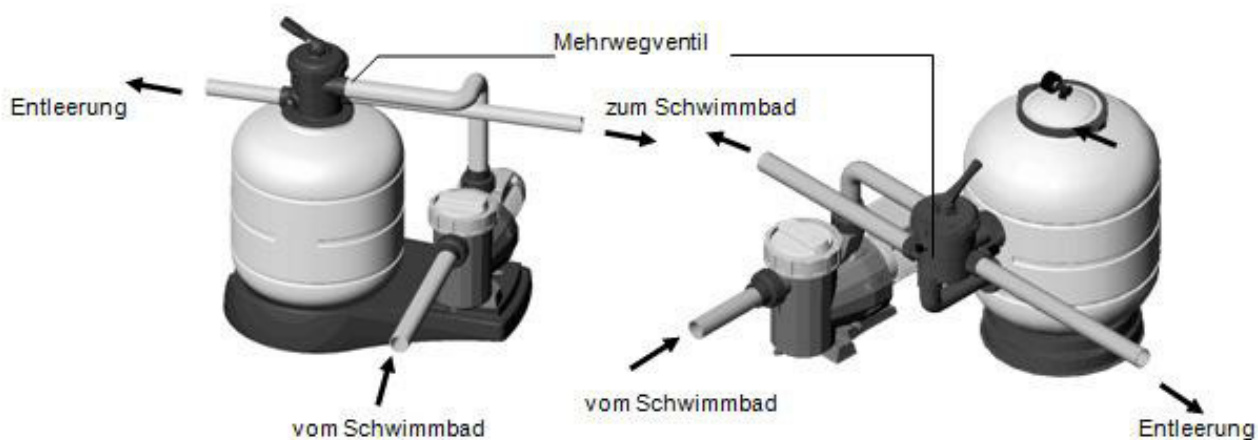
Das Wasser wird vom Boden des Schwimmbades durch den Bodenablauf (1), und an der Oberfläche durch die über die Pumpe (4) Skimmer (2), angesaugt und kommt durch getrennte Leitungen mit ihren entsprechenden Ventilen (3) über die Pumpe (4) zum Filter (5). Anschliessend wird das Wasser über Verteiler (6, Einlaufdüsen) wieder ins Schwimmbad gebracht. Die Einlaufdüsen sind an der dem Bodenablauf und den Skimmern gegenüberliegenden Seite angebracht, wodurch eine völlige Erneuerung des Schwimmbadwassers erreicht wird.

Der eigentliche Filter ist der Silex-Sand, durch welchen das Wasser von oben nach unten läuft, wobei im Sand die im Wasser schwebenden Teilchen zurückgehalten werden.

Erreicht der Wasserdruck im Filter mehr als 1,3 Kg/cm<sup>2</sup>, muss dieser rückgespült werden.

Nachdem der Filtriervorgang begonnen worden ist, muss nach einer gewissen Zeit der Filter "gewaschen" werden, da der Sand mit Schmutz gefüllt wird und damit den Wasserdurchfluss verhindert. Beim Rückspülen wird die Wasserströmungsrichtung im Filter umgekehrt und damit die gefilterten Teilchen über den Ablauf ausgestossen.

Wenn diese wichtigen Hinweise berücksichtigt werden, dürften die nachfolgenden Bedienungsanleitungen keine Schwierigkeiten für ihre Anwendung darstellen.



## **EINBAU**

Der Filter sollte so nah wie möglich am Schwimmbad eingebaut werden und vorzugsweise ca. 0,50 m. unter dem Wasserspiegel des Schwimmbades. Einen Wasserablauf im Filterraum vorsehen.

**WICHTIG:** Für den Anschluss des Mehrweg-Ventils keine Eisenrohre und Hanf verwenden, sondern unbedingt Plastikzubehör und TEFLON-Band verwenden. Wir verfügen für diese Anschlüsse über Gewindeteile in 1 ½" und 2", sowie Gummidichtungen. Verlangen Sie diese von Ihrem Lieferanten.

Lassen Sie genug Platz um den Filter herum, damit die nötigen Überprüfungen und die Wartung des Filters durchgeführt werden können.

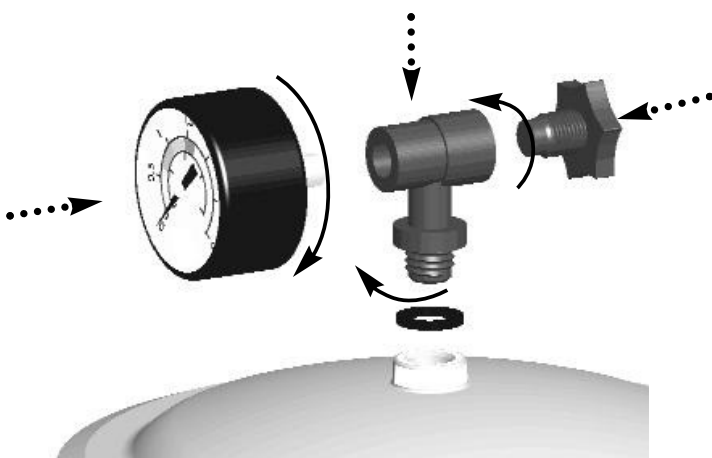
Der Filter bewegt sich, er vergrößert sich beim Einschalten der Pumpe. Aus diesem Grund muss um den Filter herum ein Freiraum von mindestens 20 cm eingehalten werden. Sofern nicht genügend Freiraum vorhanden ist und der Filter sich nicht frei ausdehnen kann, sind Beschädigungen am Tank möglich.

Um Beschädigungen am Filter zu vermeiden, darf dieser nicht mit Fett, Öl oder anderen Lösungsmitteln in Kontakt kommen oder gereinigt werden.

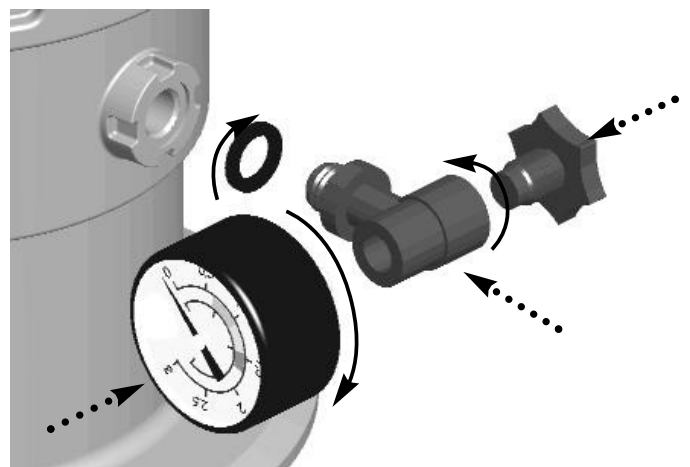
## **MONTAGE**

Um eine richtige Montage des Filters zu erzielen, folgen Sie die folgenden Anweisungen:

- 1.- Stellen Sie den Filter auf eine horizontale und saubere Oberfläche.
- 2.- Installieren Sie den Filter an seinen endgültigen Platz.
- 3.- Wenn der Filter mit Seitenventil ist, installieren Sie es. Achten Sie darauf, dass die Dichtungen zwischen Ventil und Filter richtig gestellt sind.
- 4.- Verbinden Sie die drei Anschlüsse des Mehrwegventil wie folgt: Verrohrung von Pumpe zum Ventil, vom Ventil zum Wasserablauf und vom Ventil zu den Einlaufdüsen des Schwimmbeckens. Auf dem Ventil sind diese drei Ausgänge entsprechend markiert.
- 5.- Montieren Sie das Manometer, T-Stück, die Dichtung, das Manometer und den Entlüftungsknopf (siehe Zeichnung). Es ist nicht nötig, Teflonband zu verwenden, da die Dichtigkeit hier durch die Dichtung garantiert wird. Das T-Stück nicht mit einem Werkzeug anziehen, nur mit den Händen reicht aus.



**Montage des Manometers (Bei Seiten-Ventil)**



**Montage des Manometers (Bei Top-Ventil)**

## **SAND EINFÜLLEN**

Für beste Filterleistung, muss dieser mit Silex-Sand von einer Körnung von 0,5-0,7 mm gefüllt werden. Die Menge ist auf dem Etikett angegeben. Dabei wie folgt vorgehen:

- 1.- Den Sand einfüllen, wenn der Filter aufgestellt und die Verbindungsrohre angebracht sind.
- 2.- Dazu Deckel und Dichtung abnehmen.

- 3.- Den Filter zur Hälfte mit Wasser füllen.
- 4.- Die nötige Sandmenge in den Filter füllen.
- 5.- Den Dichtungssitz des Deckels reinigen.
- 6.- Deckel aufsetzen und festziehen.

## BETRIEB

---

Das Mehrwegventil hat einen Handhebel mit 6 Stellungen. Mit Hilfe dieses Handhebels können Sie die benötigten Operationen wählen.

**⚠ WICHTIG: Mehrwegventil nur bei ausgeschalteter Pumpe betätigen**

## FILTERN

---

Bei ausgeschalteter Pumpe, Mehrweg-Ventil auf Position "FILTERN" stellen.

Pumpe einschalten.

Während die Pumpe arbeitet, ist es empfehlenswert, periodisch das Manometer zu beobachten, welches uns den Grad der Sättigung des Filters anzeigt. Wenn der Druck 1,3 Kg/cm<sup>2</sup> erreicht, muss ein „SPÜLEN“ durchgeführt werden. Die Ventile für den Boden des Schwimmbades und Skimmer werden je nach Menge der schwebenden Teilchen reguliert, die sich an der Wasseroberfläche befinden. Dabei ist zu berücksichtigen, dass, bei völlig offenen Ventil des Bodenablaufs, die Ansaugung über die Skimmer schwach ist. Wenn man eine stärkere Oberflächenabsaugung wünscht, genügt es, die Bodenabsaugung zu mindern.



**0,8 kg/cm<sup>2</sup> - 11,4 PSI:** Normaldruck bei Beginn des Filtriervorganges.



**1,3 kg/cm<sup>2</sup> - 18,5 PSI:** Dieser Druck zeigt an, dass ein "SPÜLEN" notwendig ist.



## SPÜLEN

Jede Sandladung formt tausende von Kanälen, welche alle Schwebeteilchen aufnehmen und im Filtersand zurückhalten, was bewirkt, dass sich die Zahl der für das Wasser freien Kanäle laufend vermindert. Aus diesem Grund erhöht sich der Druck im Filtersand wenn er 1,3 kg/cm<sup>2</sup> erreicht und nicht mehr Schmutz aufnehmen kann, ist seine Reinigung notwendig, die wie folgt durchgeführt wird:

Mehrweg-Ventil auf Position "SPÜLEN" stellen und, bei offenen Ventilen des Bodenablaufs und Rücklaufs, die Pumpe in Betrieb setzen. Pumpe 2 Minuten laufen lassen. Mit diesem Vorgang wird aller Schmutz aus dem Filter in den Wasserablauf abgeführt.



## ZIRKULIEREN

In dieser Position des Mehrweg-Ventils wird das Wasser von der Pumpe direkt ins Schwimmbad geleitet, ohne durch das Innere des Filters zu gehen.



## ENTLEEREN

Im Falle, dass das Schwimmbad nicht direkt in die Kanalisation entleert werden kann, weil kein Wasserablauf im Schwimmbeckenboden vorhanden ist, kann die Entleerung mit Hilfe der Filterpumpe erfolgen. Um diesen Vorgang durchzuführen, wird das Mehrweg-Ventil auf Position „ENTLEEREN“ gestellt. Bei offenem Ventil des Bodenablaufs wird der Motor eingeschaltet. Damit die Pumpe ansaugt, muss darauf geachtet werden, dass das Haarsieb und die ganze Verrohrung des Bodenablaufs ständig mit Wasser gefüllt bleiben.

Bevor die Entleerung durchgeführt wird, sicherstellen, dass die Ventile der Skimmer und Bodenabsauger geschlossen sind.



## NACHSPÜLEN

---

Nach einer „SPÜLUNG“ des Filters und nachdem die Anlage auf Position „FILTERN“ gestellt wurde, läuft das Wasser einige Sekunden lang trüb zum Schwimmbad. Um zu vermeiden, dass dieses trübe Wasser in das Schwimmbad gelangt, gibt es diese Position „NACHSPÜLEN“ am Mehrwegventil. Wie folgt vorgehen: Sofort nach dem „SPÜLEN“ das Mehrwegventil auf Position „NACHSPÜLEN“ stellen und die Pumpe 1 Minute lang einschalten. Diese Position schickt das gefilterte Wasser direkt zum Ablauf.



## GESCHLOSSEN

---

Wie der Name sagt, wird dabei der Wasserdurchlauf vom Filter zur Pumpe geschlossen, was dazu dient, das Haarsieb (Vorfilter) der Pumpe öffnen zu können.



## INBETRIEBNAHME

---

Nachdem der Filter mit Sand gefüllt ist, muss der Sand gewaschen werden, was wie folgt geschieht:

- 1.- Mehrweg-Ventil auf Position „SPÜLEN“ stellen.
- 2.- Ventile, welche die Ansaugrohre vom Schwimmbecken kontrollieren, öffnen und die Pumpe 4 Minuten einschalten.
- 3.- Pumpe ausschalten und Mehrweg-Ventil 1 min lang auf Position „NACHSPÜLEN“ stellen. Danach Pumpe ausschalten und Mehrweg-Ventil auf Position „FILTERN“ stellen.  
Nun ist der Filter für das Filtern des Schwimmbadwassers vorbereitet.

**⚠ WICHTIG: Mehrweg-Ventil nur bei ausgeschalteter Pumpe betätigen.**

## WARTUNG

---

Zur Filterreinigung kein Lösungsmittel verwenden. Der Filter könnte beschädigt werden und seinen Glanz verlieren.

Wenn nötig, ersetzen Sie immer die beschädigten Teile oder Dichtungen.

Spülen und Nachspülen gemäss den Anleitungen vornehmen.

Für eine bessere Leistung des Filters, Filtersand jährlich mit ASTRAL Filnet reinigen. Es ist empfehlenswert, den Filtersand circa alle 3 Jahre zu erneuern.

**Überwinterung:**

Während der Überwinterung, ist es empfehlenswert, die folgenden Hinweise zu befolgen:

Spülen und Nachspülen gemäss den vorherigen Anweisungen.

Das Wasser aus dem Filter auslassen.

Entfernen Sie den Filterdeckel, damit der Filter während der Überwinterung belüftet bleibt.

Wenn Sie den Filter wieder in Betrieb nehmen, folgen Sie den Anweisungen unter "INBETRIEBNAHME".

**TROUBLE-SHOOTING**

PROBLEM	MÖGLICHE URSACHE	BEHEBUNG
Der Filter gibt wenig Filterwasser. Bodensauger saugen lassen.	Haarfilter verstopft.	Haarfilter reinigen.
	Motor läuft in verkehrter Richtung.	Motorlaufrichtung mit Hilfe des Pfeiles auf dem Haarfilter kontrollieren. Falls verkehrt, Motoranschluss umpolen*.
	Ansaug- oder Einlaufrohre verstopft.	Reinigen.
Der Druck erhöht sich schnell während des Filtrier-Zyklus.	pH-Wert des Wassers hoch (Wasser trüb).	pH-Wert mindern mit Astral pH Minor
	Fehlt Chlor (Wasser grün).	Chlor zugeben.
Druckmanometer schwankt sehr stark.	Pumpe saugt Luft an.	Wasserlecks im Haarfilter und Ansaugleitungen suchen.
	Ansaugung halb geschlossen.	Kontrollieren, ob die Ansaugventile völlig offen sind.

\*Falls der Pfeil nicht vorhanden ist, kann die Drehrichtung auf folgende Art überprüft werden:

Sich vor die Pumpe stellen, d. h. , auf die Seite, wo sich die Zulaufleitungen befinden (Motor hinten). Kontrollieren, ob die Drehrichtung des Motors gegen den Uhrzeigersinn ist.

## SICHERHEITSHINWEISE

---

Nie die Filteranlage ohne Wasser einschalten.

Immer Stromverbindung unterbrechen, wenn Sie am Filter oder am Ventil arbeiten müssen.

Erlauben Sie nie, dass Kinder oder Erwachsene sich an die Anlage anlehnen oder sich auf sie darauf setzen.

Filterbehälter darf nicht direkt an die Trinkwasserleitung angeschlossen werden, da der Trinkwasserleitungsdruck höher als der im Filter erlaubte Druck sein könnte.

Filterdeckel nie mit Lösungsmittel reinigen, da dieser seine Eigenschaften verlieren kann (Glanz, Durchsichtigkeit, usw.).

Da alle Verbindungen mittels Dichtungen gemacht werden, braucht man die Muttern nicht allzu fest anzuziehen. So vermeidet man, Kunststoffteile zu brechen.

## QUE ACONTECE COM A ÁGUA DA SUA PISCINA?

---

Logicamente, esta é a primeira pergunta com que nos defrontamos. Antigamente a maioria das piscinas não dispunha de uma instalação de depuração e funcionavam soamente enchendo-as com água limpa, mas passados alguns dias a água apresentava um aspecto desagradável, eram despejadas, limpas e novamente cheias, isto sem dúvida alguma representava vários inconvenientes: consumo de água, insalubridade da piscina e um banho nada agradável devido à insuficiente transparência da água.

A sociedade actual exige: economia, higiene e comodidade. Por estas razões devemos dotar as piscinas de instalações e tratamentos necessários.

No Verão quando se enche uma piscina com água da rede pública ou de um furo, observa-se que está limpa, mas após a sua exposição ao sol e ao ar ocorrem dois fenómenos básicos:

- 1.- A água contamina-se com os microorganismos existentes na atmosfera, os introduzidos pelos banhistas e por falta de oxigenação pelo facto da mesma se encontrar estagnada, os parasitas reproduzem-se formando as chamadas algas. As algas reproduzem-se rapidamente em função da temperatura ambiente e da elevada temperatura da água, tomando esta uma cor verde.
- 2.- O ar e a chuva introduzem na água, pó, terra e folhas que a tornam turva.

Com estes dois factores que incidem sobre a piscina, em poucas horas e em escassos dias, transmite-se o seguinte resultado:

Uma piscina totalmente anti-higiénica e nada agradável para o banho.

A forma de combater estes dois problemas é:

### 1.- TRATAMENTO “QUÍMICO”

Manter a água com uma quantidade suficiente de desinfectante (cloro, bromo, oxigénio) para que as bactérias e microorganismos que nela se introduzam possam ser destruídos de imediato.

Indicamos o cloro por ser o método mais usual para este fim.

### 2.- TRATAMENTO “FÍSICO”

Dotando a piscina dum filtro que através de uma electrobomba retenha no seu interior todas as matérias em suspensão na água.

## O pH

---

O pH é o grau de acidez da água. Os valores do pH estão compreendidos entre 0 e 14, correspondendo o valor 7 ao grau neutro. Os valores entre 0 e 7 são os graus ácidos e entre 7 e 14 aos alcalinos, embora os valores mais usuais numa piscina são os compreendidos entre 6,8 e 8,4.

### Porque é importante o pH?

“O VALOR IDEAL DO PH NUMA PISCINA DEVE SITUAR-SE ENTRE 7,2 E 7,6”.

Anteriormente indicámos, que para a destruição de bactérias, deveríamos manter a água com uma quantidade de cloro residual suficiente para o efeito, porém este cloro só actua eficazmente como bactericida, quando a água onde se dilue tenha um pH compreendido entre 7,2 e 7,6. Assim, verifica-se que para destruir as bactérias é fundamental manter o pH nos valores indicados.

Existem outros factores que obrigam a manter o pH correcto, sendo superior a 7,6 o ácido dissolvido na água precipitar-se-á de forma visível turvando a água, dando-lhe um aspecto leitoso, obstruindo rapidamente o filtro e precipitando-se nas paredes e acessórios da piscina. Sendo inferior a 7,2 a água sera corrosiva, produzindo irritações nos olhos e nas mucosas nasais, podendo chegar a destruir partes metlicas da instalação de filtração.

Pelo exposto conclui-se que a grande qualidade da água da piscina, depende bastante do valor do pH.

## O CLORO

---

### Normas legais

As disposições sanitárias portuguesas vigentes determinam que a quantidade de cloro livre na água das piscinas deve estar compreendido entre 0,20 a 0,60 mg por litro (0,2 a 0,6 p.p.m.).

### O que entendem por: cloro livre residual

Na água mesmo depois de infiltrada existem uma série de inimigos invisíveis que é preciso destruir.

Para os destruímos é necessário uma quantidade determinada de cloro que actue sob a forma de ácido hipoclorosos.

A quantidade de cloro adicina-se acima da necessária para destruir bactérias e oxidar a materia organica que fica livre na água sob a forma de ácido hipocloroso á espera de actuar contra qualquer inimigo: bactérias, matéria orgánica, etc. , que se introduzam novamente na água através dos banhistas, agentes atmosféricos (chuva, vento, etc), ou por qualquer outro meio.

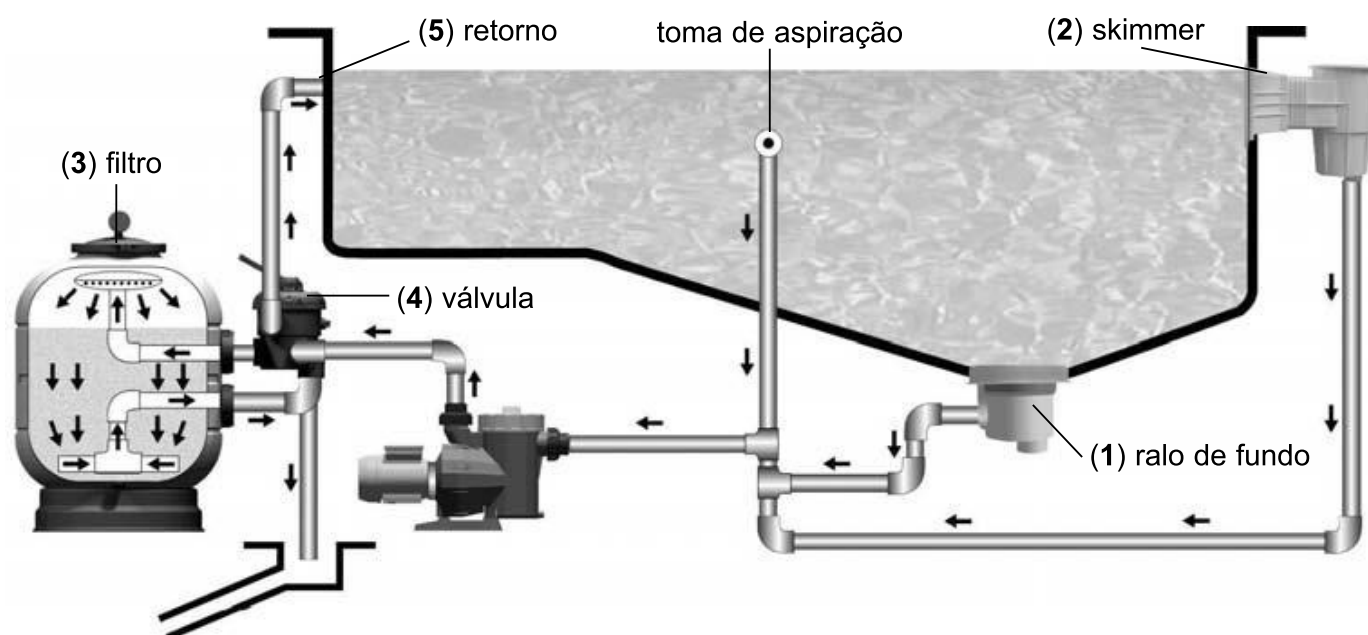
O cloro que fica sob a forma de ácido hipocloroso á espera de actuar e que sobrou da necessidade imediata denomina-se cloro livre ou residual.

## A FILTRAÇÃO

A filtração, é somente uma parte do trabalho, a realizar para manter limpa uma piscina é inseparável do tratamento químico, já que um sem o outro não consegue os fins em vista. Queremos dizer que apenas com o filtro nada se conseguirá senão for acompanhado dum bom tratamento químico.

Está generalizada a ideia de que adquirir uma instalação filtrante resolverá todo o problema, a ponto de lhe chamarmos depurador, quando, na verdade, se trata apenas dum filtro. A depuração consiste na perfeita conjugação de dois tratamentos, o químico e o físico.

## PRINCIPIOS DE FUNDAMENTO



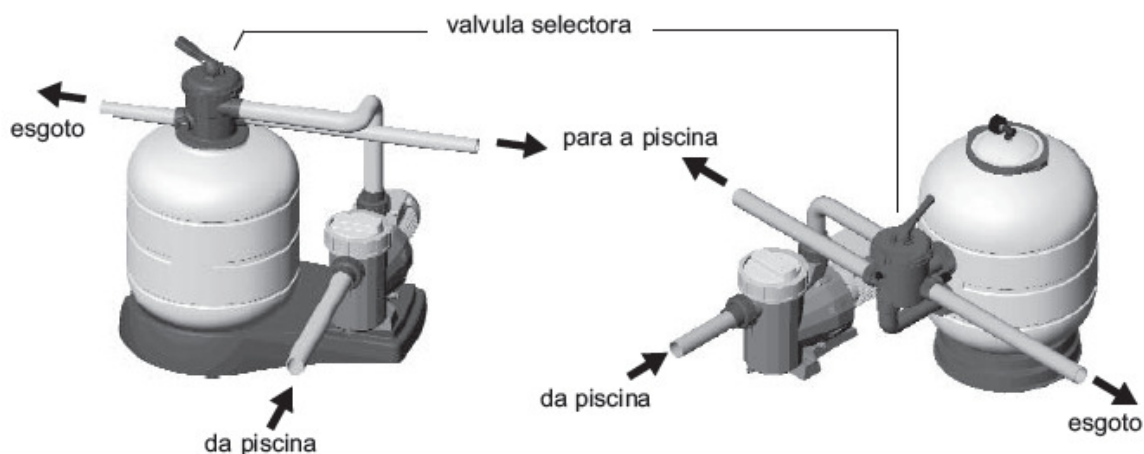
A água é aspirada pelo fundo através de um ralo de fundo (1) da superfície por meio de dos Skimmers (2), chegando ao filtro (3) por tubagens separadas providas das válvulas (4) correspondentes e retorna á piscina através dos distriduidores (5), (entradas de água). As entradas de água, normalmente designadas por “BICOS” devem ser instaladas no lado oposto ao Ralo de fundo e aos Skimmers para proporcionar desta maneira uma renovação total da água da piscina.

O filtro propriamente dito compõe-se de carga de areia sílica, através da qual se faz circular a água em sentido descendente, retendo nela as matérias em suspensão existentes na água a filtrar.

Uma vez iniciado o ciclo de filtração e ao fim de algum tempo será necessário lavar o filtro, uma vez

que a areia ficará obstruída com impurezas, impedindo a passagem da água, com a lavagem de contra-corrente consegue-se inverter o sentido de circulação da água no filtro e enviar para o esgoto as matérias filtradas. Se a pressão da água no filtro atingir 1,3 Kg/cm<sup>2</sup>, dever-se-á efectuar uma lavagem.

Tendo presente estes dados importantes, as instruções de manuseamento que a seguir descrevemos não oferecerão qualquer dificuldade para a sua aplicação.



## **INSTALAÇÃO**

---

O filtro deverá ser instalado o mais próximo possível da piscina, de preferência a um nível de 0,50 m abaixo do nível da água da piscina. Deve estar previsto um esgoto no local da instalação do filtro.

**IMPORTANTE:** Na ligação da tubagem da válvula seletora não utilizar acessórios galvanizados. É imprescindível a utilização de acessórios plásticos e cinta de Teflón. Dispomos para esta instalação de terminais de roscas a 1 ½" e 2" e juntas de borracha estanque. Solicite-os ao seu fornecedor.

Ao redor do filtro deve haver um espaço suficiente para poder realizar as inspecções e as operações de manutenção necessárias durante a vida útil do filtro.

Deixar um espaço de 20 cm em redor do filtro para que seja permitido o movimento do filtro, qualquer impedimento pode provocar a rotura do filtro.

Não se deve colocar material gorduroso e dissolventes nas peças de plástico, poderá danificá-las.

## **MONTAGEM**

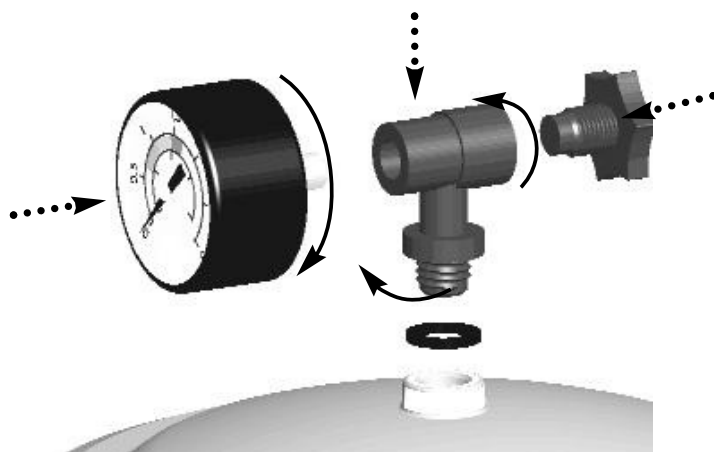
---

Para a correcta montagem do filtro, proceda da seguinte forma:

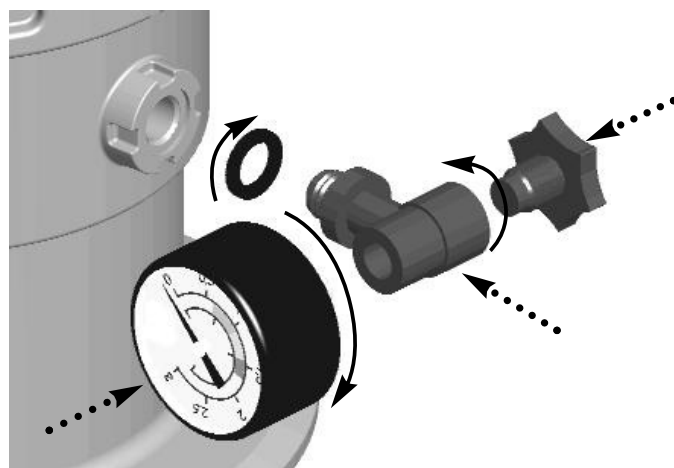
1.-Procure instalar o filtro numa superfície horizontal e completamente limpa.



- 2.- Instale o filtro no lugar definitivo.
- 3.- No caso de um filtro com válvula lateral, instale a válvula selectora no filtro, procurando que as juntas entre a válvula e o filtro fiquem correctamente posicionadas.
- 4.- Realize as três ligações pertinentes da válvula selectora: tubagem da bomba à válvula, da válvula ao tubo de escoamento e da válvula ao retorno da piscina. Poderá identificar as três saídas na válvula.
- 5.- Monte o T manómetro e o tampão purga ar (ver lista de peças). Não é necessário utilizar fita de teflon, já que nesse ponto a estanqueidade é realizada com a junta. Não aperte o T manómetro com nenhuma ferramenta, com as mãos já é suficiente.



**Montagem manómetro (válvula lateral)**



**Montagem manómetro (válvula top)**

## **CARGA DE AREIA**

Para obter o máximo rendimento deste filtro deverá enchê-lo de areia sílica com uma granulometria de 0,5 a 0,7 mm e na quantidade indicada na placa de características. Proceder do seguinte modo:

- 1.- Efectuar a montagem do filtro em local apropriado e proceder á ligação das tubagens de união.
- 2.- Retirar a tampa e a junta.
- 3.- Encha o filtro com água até à metade.
- 4.- Encher de água até os difusores ficarem cobertos encher o interior do filtro com a quantidade de areia necessária.
- 5.- Limpar a abertura onde assenta a junta da tampa.

6.- Colocar e apertar a tampa do filtro.

## FUNCIIONAMENTO

---

A válvula selectora dispõe de uma alavanca com 6 posições que permite seleccionar todas as operações necessárias para o correcto funcionamento do filtro.

**⚠ IMPORTANTE:** Efectue sempre as mudanças de posição da válvula selectora com a bomba parada.

## FILTRAÇÃO

---

Com a bomba parada, colocar o manipulador da válvula selectora na posição de “Filtracion” (Filtração).

Ligar a bomba.

Durante o funcionamento é conveniente observar periodicamente o manómetro que nos indica o grau de saturação do filtro. Quando a pressão acusar 1,3 Kg/cm<sup>2</sup>, deve realizar-se uma lavagem “Lavado”.

As válvulas do ralo de fundo e Skimmers devem regular-se em função da quantidade de matérias flutuantes na superfície da água da piscina. É necessário ter presente que quando a válvula do ralo de fundo está totalmente aberta reduz bastante a aspiração feita através dos Skimmers. Para uma mais eficaz limpeza da superfície deve fechar-se ligeiramente a válvula do ralo de fundo.



**0,8 kg/cm<sup>2</sup> - 11,4 PSI:** Pressão normal ao realizar o ciclo de filtração.



**1,3 kg/cm<sup>2</sup> - 18,5 PSI:** Esta pressão indica que é necessário proceder á lavagem “Lavado”.

## “LAVADO” – LAVAGEM

Cada carga de areia forma milhares de canais de passagem que recolhem todas as matérias que ficam retidas na camada filtrante. Em consequência, o número de canais livres vai diminuindo e a passagem da água passa a fazer-se com mais dificuldade. Por esse motivo a pressão aumenta progressivamente até alcançar 1,3 Kg./cm<sup>2</sup>. Isto indica que a areia filtrante não recebe mais sujidade e é necessário proceder á sua lavagem da seguinte forma:

Colocar a válvula colectora no posição “Lavado” (Lavagem).

Abrir as válvulas do ralo de fundo e do retorno

Por a bomba em funcionamento 2 Minutos.

Com esta operação toda a sujidade que obstrua o filtro passou para o esgoto.



## “RECIRCULACION” – RECIRCULAÇÃO

Nesta posição, a passagem de água faz-se directamente da bomba para a piscina sem passar através do filtro.



## “VACIADO” – Esvaziar

No caso de não haver um esgoto ao nível do fundo da piscina, pode esvaziar-se toda a água da piscina através da bomba do filtro, para efectuar esta operação proceder da seguinte forma:

Colocar a válvula selectora na posição “Vaciado”

Fechar as válvulas dos Skimmers e tomada de aspiração.

Abrir a válvula do Ralo de fundo.

Ligar a motor, depois de verificar que o pré-filtro está cheio de água e limpo.



## “ENJUAGUE”- ENXAGUAMENTO

---

Para evitar que após a lavagem, a água retorne á piscina com um aspecto turvo deve proceder-se do seguinte modo:

Colocar a válvula selectora ne posição “ENJUAGUE”

Ligar o motor durante 1 minuto

Parar a bomba e colocar a válvual na posição de “FILTRAÇÃO”.

Esta posição permite que a água filtrada siga directament para o esgoto. Procedede-se assim, ao enxaguamento de areia, após a sua lavagem.



## “CERRADO” – FECHADO

---

Tal como o nome indica, utiliza-se para fechar a passagem da água do filtro para a bomba, para assim se poder abrir o pré-filtro da bomba e proceder á sua limpeza.



## ARRANQUE

---

Uma vez carregado o filtro de areia é necessário efectuar uma lavagem da mesma, procedendo do seguinte modo:

- 1.- Colocar a válvula selectora na posição de "Lavado" (Lavagem).
- 2.- Abrir as válvulas que controlam as tubagens de aspiração da piscina e ligar a bomba durante 4 minutos.
- 3.- Parar a bomba e colocar o manipulador da válvula selectora na posição "Filtracion" (Filtração).

Uma vez realizada esta operação dispomos do filtro preparado para começar os ciclos normais de filtração da água da piscina.

 **IMPORTANTE:** Todas as manobras a efectuar com a válvula selectora devem ser feitas sempre com a electrobomba desligada.

## MANUTENÇÃO

Não limpe o filtro com dissolventes, já que poderá perder o brilho e resultar danificado.

Substitua as peças e as juntas deterioradas quando necessário .

Realize as lavagens e as enxaguaduras necessárias de acordo com as instruções de funcionamento.

Lave a areia anualmente para um melhor serviço com ASTRAL Filnet sólido ou Filnet líquido. Troque a areia como mínimo cada 3 anos.

### Período de inatividade:

Para não danificar o filtro durante o período de inatividade, realize as seguintes operações:

Lave-o e enxagúe-o seguindo as instruções acima.

Esvazie a água do filtro.

Retire a tampa do filtro para mantê-lo ventilado durante o período de inatividade.

Quando for necessário colocar o filtro novamente em funcionamento, siga as instruções de COLOCAÇÃO EM FUNCIONAMENTO.

## AVARIAS MAIS USUAIS

DEFEITO	CAUSA	SOLUÇÃO
O filtro dá pouco caudal de água filtrada. O aspirador aspira pouca água.	Pré-filtro entupido.	Limpiar pré-filtro da bomba.
	Motor trabalha ao contrário.	Verificar o sentido do motor*.
	Tubagem de aspiração ou impulsão entupidas.	Proceder á sua limpeza.
A pressão sobe rapidamente durante a filtração.	pH da água elevado (Água turva).	Diminuir o pH com Astral PH Minor
	Falta de cloro (Água verde).	Adicionar cloro.
Manómetro de pressão oscila violentamente.	A bomba tem entrada de ar.	Verificar fugas de água no pré-filtro e tubagens de aspiração.
	Aspiração semi-fechada.	Verificar se as válvulas de aspiração, estão totalmente abertas.

\*No caso de não existir seta indicadora, pode comprovar-se o sentido de seguinte modo:

Coloque-se de frente para a bomba, ou seja, de mesmo lado onde está a tubagem de admissão (lado oposto ao do pré-filtro). O sentido do motor será o inverso ao dos ponteiros do relógio.

## **ADVERTÊNCIAS DE SEGURANÇA**

---

Não faça o equipamento funcionar sem água

Antes de manipular o filtro ou a válvula, desligue-o sempre da tomada.

Não permita que crianças ou adultos se sentem sobre o equipamento.

Nunca ligue o filtro directamente à rede de água, já que a pressão pode ser muito elevada e ultrapassar a pressão de trabalho máxima do filtro.

Não limpe o conjunto da tampa com dissolventes, já que poderia perder as suas propriedades (brilho, transparência,...)

Em virtude de que as uniões são feitas com juntas, não é necessário apertar as porcas excessivamente. Um aperto excessivo poderia danificar as peças de plástico.

**HAVUZUNUZDAKI SUYA NE OLUR?**

Bu tüm havuz sahipleri için öncelikli önemli olan bir sorudur. Geçmişte bazı havuzlarda filitre sistemi bulunmazdı, havuz sahibi gerekli olduğunda havuzu temiz su ile doldurma gibi bir problemle karşılaşmaya kalırdı. Havuzu tekrar doldurmak zahmetli olduğu kadar, kullanılan su temiz olmadığından havuz sahibi sağlıklı bir havuzda yüzmek zorunda kalırdı.

Günümüzde havuz sahiplerinin istedikleri kesin sağlıklı, kristal berraklıkta su ve tasarruftur. Bu hedefler etkin filitreleme ve havuz suyunun kimyasal bakımı ile gerçekleşir.

- 1.- Biyolojik kirlilik, suya mikrop bulaşması hava yoluyla taşınan veya havuz kullanıcıları tarafından havuza getirilen mikro-organizmalar yüzünden olur. Bu parazitler ılık suda çok çabuk ürer ve beraberinde oluşan yosun havuz suyuna yeşilimsi bir görünüm verir.
- 2.- Yağmur ve rüzgar; toz, çamurlu yaprak ve tohumları havuza getirerek havuz suyunu kirletir.

**PROBLEMİN ÇÖZÜMLERİ;****1.- "Kimyasal" Bakım**

Dezenfekte etkileri sayesinde mevcut mikro-organizmaları yok etmek için suda kullanılacak kimyasal ürünleri (klor, brom, oksijen) doğru oranda kullanın.

Klor daha yaygın bir yöntem olduğundan referans olarak alınacaktır.

**2.- "Fiziksel" Bakım**

Suda bulunan partikülleri temizlemek için bir havuz filitresi kullanın.

**PH SEVİYESİ ;**

Ph oranı suyun mevcut asidik veya baz karakterini gösterir.

Nötr değer 7.0'dır. Ph değeri 0-7 arasında asidik ortamı 7-14 arasında alkalın ortamı belirtir. Havuzlar genellikle 6.8 ve 8.4 arasında değişiklik gösterirler.

**Ph Niçin Önemlidir?**

"Sudaki ideal ph değeri 7.2-7.6 arasında olmalıdır."

Daha önce ifade edildiği gibi, istenmeyen mikro-organizmaları yok etmek için havuzda yeterli artık klor mevcut olmalıdır. Gerçekte havuz suyu Ph oranı 7.2-7.6 arasında olduğunda klor havuz suyu içindeki mikro-organizmaları öldürebilir.

Doğru ph oranını ayarlamayı gerektiren başka sebeplerde vardır; PH oranı 7,6'dan büyük olduğunda havuz suyundaki kalsiyum bulanık görünüm kazandırır.(sert suda daha belirgindir.) Bu suya sütünümü bir görünüm verir ve filitreleme sürecini önler.

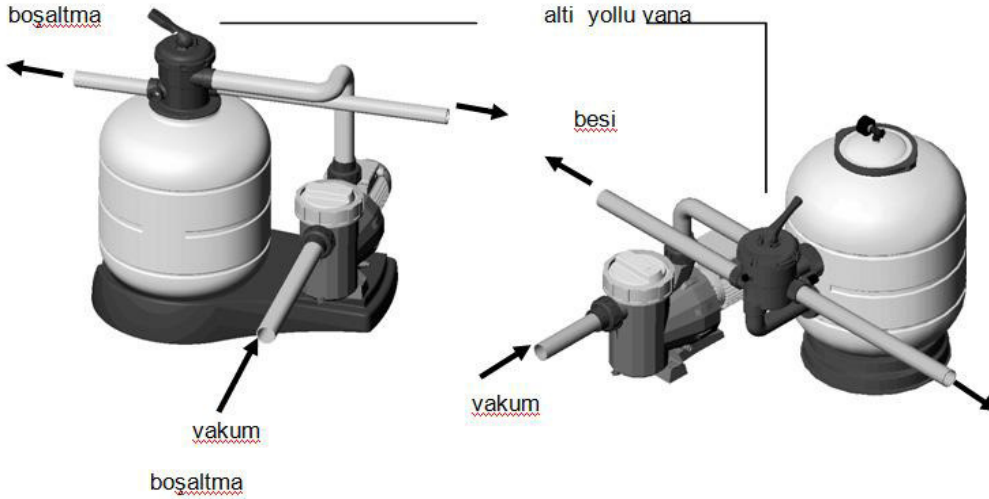
Sudaki tortular aynı zamanda bulanık su havuz aksesuarlarından geri gelir. PH oranı 7,0 seviyesinin altına düştüğünde havuz suyu göz ve mukozayı tahriş eden bir özelliğe bürünür. Bu uzun vadede havuzdaki metal aksamada zarar verir. Havuz suyunun kaliteli olması için özellikle doğru PH oranının tutturulması gerektiği çok açıktır.





Filtre kumunun ierde kalan partiküllerin temizlenmesi için belirli aralıklarla yıkanması gerekir .Bu işlem filtreye içindeki akış tersine çevrilerek ve partiküllerin yerinden çıkartılarak atılması ile gerçekleştirilir. Bu işlemlerin göz önünde tutulmasıyla ileride belirtilen tesisat ve işletme talimatları ile beraber herhangi bir sorun çıkmaz .

Filtre basıncı 1,3 kg/cm<sup>2</sup>'nin üzerine çıktığında kum filtresinin ters yıkanması gerekmektedir .



### TESİSAT:

Filtre yüzme havuzuna mümkün olduğunca yakın ve tercihen havuz su seviyesinin 0,50 mt. altına monte edilmelidir. Filtrenin monte edildiği yerde drenaj olmasına dikkat edilmelidir .

Önemli : Çok yollu vana bağlantısı için demir boru ve kenevir kullanmayın . Teflon bantı ve plastik aksesuarlar kullanılması gereklidir . 1½" ve 2" bağlantıya dişli yada yapıştırma boru bağlantıları uygundur.

**Gerekli bakımları yapabilmek ve filtrenin ömrünü uzun tutmak için her zaman filtre etrafında yeterli boşluk bırakın .**

**Filtre o gemiyi zarar verebilir bir hareket olamaz eğer, çalışma onun hareketini sağlamak için filtre etrafında 20 cm boş alan bırakın.**

**Plastik parçalar üzerinde gres, yağ veya solvent koymayın, plastik malzemeye zarar verebilir.**

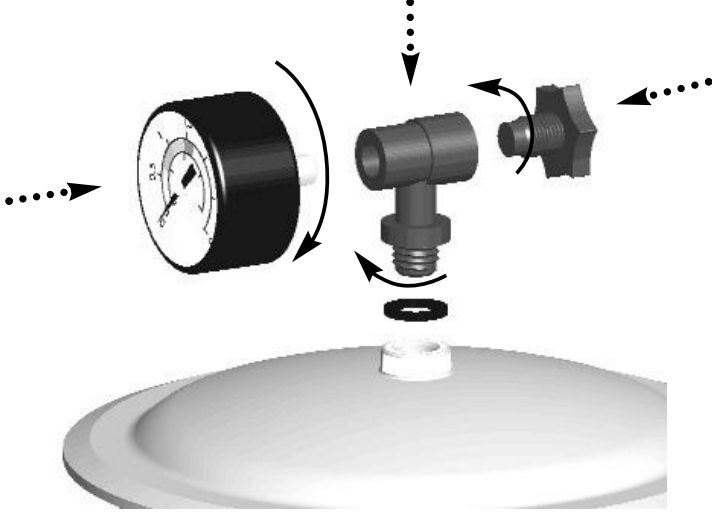
### MONTAJ ;

Filtrenin doğru montajı için şunları uygulayın :

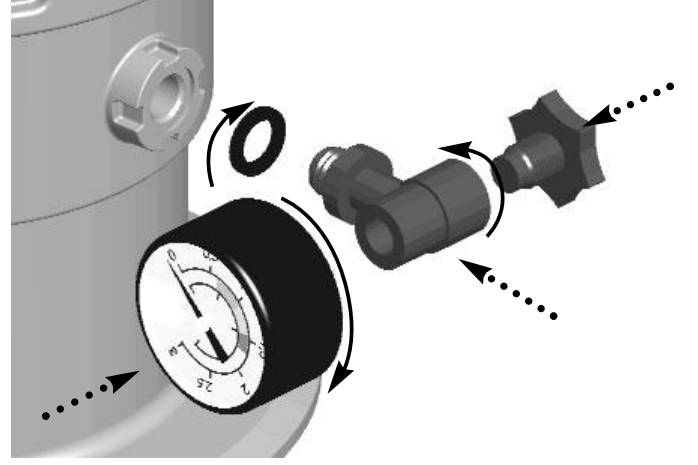
- 1.- Filtreyi yatay ve temiz bir yüzeye koyun
- 2.- Filtreyi nihai yerine yerleştirin
- 3.- Yandan vanalı bir filtre kullanıldığında , altı yollu vanayı filtreye bağlayın .Vana ve filtre arasında bağlantıların doğru bir şekilde yapıldığına emin olun .
- 4.- Altı yollu vananın şu üç bağlantısını yapın .
  - a) Pompadan vana ile altıyolluya bağlantı
  - b) altıyolludan roğara ( boşaltma) bağlantı ve
  - c) Altıyolludan besleme hattına bağlantı . Bu üç çıkış vana üzerinde belirtilmiştir .
- 5.- Manometre Te'sini hava alma vidasını, purjörü, manometreyi, ( şekilde belirtilmiştir ) yerleştirin . Su geçirmezlik conta ile garanti edildiğinde teflon bant kullanmak gerekli değildir . El ile sıkma yeterli olacağından manometre te'sini bir aletle sıkmayın .

## TURKÇE

5.- Manometre Te'sini hava alma vidasını, purjörü, manometreyi, (şekilde belirtilmiştir) yerleştirin. Su geçirmezlik conta ile garanti edildiğinde teflon bant kullanmak gerekli değildir. El ile sıkma yeterli olacaktır manometre te'sini bir aletle sıkmayın.



Manometrenin vanaya yatay bağlantısı



Manometrenin vanaya üstten bağlantısı

## KUM KOYULMASI

Filtrenizden en iyi randımanı alabilmeniz için filtrenin miktarı özellikleri filtre üzerindeki plakette belirtilen ve çapı 0,5-0,7 mm arasında olan kum ile doldurulması gerekmektedir.

Devamında:

- 1.- Filtreyi nihai yerinde, boru bağlantıları yapıldıktan sonra kum ile doldurun
- 2.- Kapağı ve contasını çıkartın
- 3.- Filtreyi yarısına kadar su ile doldurun
- 4.- Gereken kum miktarını filtreye dökün
- 5.- Kapak contasının oturma yerini temizleyin
- 6.- Filtre kapağını yerine takın

## FİLTRELEME İŞLEMİ

Altiyollu vanada filtreden en iyi randımanı alabilmek için gerekli işlemlerden birinin seçileceği 6 pozisyonlu bir kol bulunmaktadır.

**⚠️ Önemli :** Altiyollu vananın pozisyonu değişeceğinden her zaman pompayı stop ediniz.

## FILITRELEME

Pompayı kapalı tutarak altiyollu vana kolunu filitreleme pozisyonuna getirin.

Pompayı çalıştırın.

Bu operasyon sırasında basınç aygıtı filitrenin doyma derecesini gösterdiğinde zaman zaman tetkik edilmelidir. Basınç  $1,3\text{kg}/\text{m}^2$  ye ulaştığında Backwash (ters yıkama) işlemi uygulanmalıdır. Dip emiş ve skimmer vanaları havuz yüzeyinde kalan parçacıklara göre ayarlanmalıdır. Unutmayınızki dip emiş vanasını tam açtığınızda skimmerlerden emiş azalır. Eğer skimmerlerden emiş fazla ise, dip emiş vanasını kısın.



**0,8 kg/cm<sup>2</sup> - 11,4 PSI:** filitreleme sürecinin başındaki normal basınç



**1,3 kg/cm<sup>2</sup> - 18,5 PSI:** bu basınç (ters yıkama) zamanının geldiğini gösteriyor

## TERS YIKAMA

Her kum yükü, filitreleme işlemi sırasında tutulan partikülleri toplayan binlerce kanal oluşturur. Suyun içinden geçmesine olanak tanıyan bu serbest kanallar sürekli azalma gösterir. Bu yüzden basınç  $1,3\text{kgs}/\text{cm}^2$  ye ulaşana kadar devamlı yükselir. Bu noktada filitre kumu daha fazla partikül toplayamayacağından aşağıdaki gibi temizlenmelidir.

Altı yollu vanayı "Back wash" ters yıkama pozisyonuna getirin. Denge deposu ve Besi vanalarını açık tutarak ,pompayı açın ve 2dk.çalıştırın (Bu süre filitrenin kirliliğine göre değişebilir.) Bu işlem tamamlandığında filitreyi bloke eden tüm kir dışarı atılır.



## RESİRKÜLASYON

Bu pozisyonda altıyollu vana, pompadan gelen suyun filtre içinden geçmeden direkt olarak havuza gitmesine olanak tanır.



## BOŞALTMA (WASTE)

Eğer yüzme havuzunun suyunda direkt olarak ana rogara bağlayarak boşaltma durumunda pompa kullanılarak su boşaltılmalıdır. Bunu yapmak için altı yollu vana "waste" konumunda olmalıdır. Motor dip emiş vanası açık tutularak çalıştırılır. Pompa için yeterli emişi sağlamak için kollektör ve tüm boşaltma borusu su ile doldurulmalıdır



## DURULAMA (RINSE)

Altıyollu vana "Backwash" ( ters yıkama ) işlemi gerçekleştirildikten ve "filtre" pozisyonuna getirildikten sonra, yüzme havuzuna akan su 1-2 saniye bulanık olacaktır.

Bu şekilde suyun havuza ulaşmasını önlemek için çalışma şekli aşağıda belirtilen, altıyollu vana için bir "durulama" pozisyonu bulunmaktadır:

Ters yıkamadan hemen sonra vanayı durulama pozisyonuna getirin ve 1 dk. için pompayı çalıştırın. Pompayı kapadıktan sonra vanayı filtre pozisyonuna getirin.

Bu pozisyon durulanan suyun direkt olarak rögara gitmesini sağlar .



**KAPALI (CLOSED)**

Adındanda anlaşılacağı gibi bu konum filtreden pompaya giden suyu kapatmak için ve pompadaki kollektörü açmak için kullanılır.

**İŞLETME**

Kum filtreye konduğunda yıkanmalıdır. Bunun için aşağıdaki işlemleri takip edin.

- 1.- Altıyollu vanayı "Lavado" (wash) konumuna getirin.
- 2.- Havuz emiş borularını Kontrol eden vanaları açın ve pompayı 4 dk.çalıştırın.
- 3.- Pompayı kapatın ve altıyollu vana kolunu "Filtration" (Filtering) konumuna getirin. Bu işlemler yapıldıktan sonra, filtre havuz suyunu filtre etmeye hazır hale gelir.

**⚠️ Önemli: Altıyollu vana kolunun konumu değiştiğinde pompa kapatılmalıdır.**

**BAKIM**

Filtre kabuğunu temizlemek için solvent kullanmayın. Bu filtreye özellikle parlaklığına zarar verir. İyi durumda olmayan parça ve contaları her zaman değiştirin.

Ters yıkama ve durulama gerektiğinde kullanım kitapçığındaki talimatlara uyun.

Daha iyi bir performans için kimyasal ürünleriyle her yıl kumu temizleyin. Filtre içindeki kumun yaklaşık her üç yılda bir değiştirilmesi gerekmektedir.

**KIS DÖNEMİ**

Kış süresince filtreye zarar gelmemesi için aşağıdaki noktalara dikkat edilmelidir.

Yukarıdaki talimatları takiben ters yıkama ve durulama yapın.

Filtredeki suyu boşaltın.

Kullanılmadığında filtredeki kumu havalandırmak için kapağı çıkartın.

Kullanılmama periyodu bittiğinde tekrar filtreyi çalıştırmak için "başlatma" paragrafındaki talimatları uygulayın.

**EN SIK KARŞILAŞILAN PROBLEMLER;**

ETKİSİ	SEBEP	ÇÖZÜM
Filtreden çok az su geçmesi. Emmenin zayıf işlemesi.	Filtre bloke olmuştur	Filtreyi temizleyin.
	Motor Ters yöne çalıştırınız.	Motorun çalıştığı yönde motor gövdesindeki oku kontrol edin. Eğer yanlışsa motor bağlantılarını değiştirin.
	Vakum boruları bloke olur.	Temizleyin.
Filtreleme işlemi sırasında basınç hızla yükseliyor.	Suyun ph'ı yüksek (bulanık su).	Ph düşürücü ile ph oranını düşürün.
	Klor eksikliği (yeşilimsi su).	Klor ilave edin.
Basınç göstergesi sıkça değişiyor.	Pompa hava alıyor.	Filtre ve vakum borularındaki sızıntıları kontrol edin.
	Emiş yarı kapalı.	Emiş vanalarının tümüyle açık olduğunu kontrol edin.

\*Eğer ok yoksa motor yönü aşağıdaki gibi olmalıdır.

Pompanın önünde durun , yani giriş borusunun olduğu yerde ( motor arkadayken)  
Motor yönünün saat yönünün tersinden olduğundan emin olun.

**GÜVENLİK UYARILARI**

Sistemi kesinlikle susuz çalıştırmayın.

Filtre ve vanayı çalıştırdığınızda, ilk önce filtreyi kapatın.

Çocuk ve yetişkinlerin sistem üzerinde oturmalarına izin vermeyin.

Şebeke suyunun basıncı çok yüksek olabileceğinden ve filtrenin müsaade ettiği maksimum çalışma basıncını aşabileceğinden, filtreyi su şebekesine direkt olarak bağlamayın. Bir takım özelliklerine (parlaklık, şeffaflık ...) zarar verebileceğinden kapağı solvent ile temizlemeyin.

Bazı plastik parçalar kırılabileceğinden somunları çok sıkmayın. Unutmayinki tüm bağlantılar yapıldığında, fazla sıklığa gerek kalmaz.

## PROČ NEMÁME PRŮZRAČNOU VODU V BAZÉNU?

---

To je zpravidla první otázka, kterou si klademe po tom, co jsme si pořídili nový bazén. Dříve se stavěla většina bazénů bez filtračního zařízení. Bazén se jednoduše napustil čistou vodou a po určité době, když voda začala být špinavá, se vypustil, vyčistil a znovu naplnil čistou vodou. Tento způsob již patří minulosti, neboť neodpovídá současným nárokům na hygienu, ani ekonomickým kritériím. Proto je vhodné bazény vybavit nezbytnou technologií a vodu ošetřovat.

Na bazénovou vodu působí celá řada faktorů, které mění její kvalitu. Především dochází:

- 1.- Ke kontaminaci vody mikroorganismy pocházejícími ze vzduchu nebo zanesenými plavci. Ty se pak v teplém prostředí rozmnožují a během krátké doby dochází k vytváření různých kultur, především řas a k zezelenání vody v bazénu.
- 2.- Vzduchem a deštěm se do vody zanáší prach, bláto a listí, které způsobují zakalení vody.

Oba uvedené faktory mají za následek ztrátu hygienické nezávadnosti vody a navíc koupání v zakalené vodě není příjemné.

Abychom uvedeným jevům zabránili, je třeba:

### 1.- CHEMICKÉ OŠETŘENÍ VODY

Ve vodě je třeba udržovat stálé množství dezinfektantu (chlor, brom, aktivní kyslík, aj.), který zničí všechny bakterie a mikroorganismy. Způsob desinfekce vody závisí na předpisech a normách dané země. Dosud nejpoužívanější bazénový dezinfektant je chlor.

### 2.- MECHANICKÉ ČIŠTĚNÍ VODY

Bazén je vybaven čerpadlem a filtrem, ve kterém jsou zachycovány všechny nerozpustné nečistoty obsažené ve vodě.

## pH FAKTOR

---

pH faktor se měří na stupnici 0-14 a udává kyselost či zásaditost prostředí, v našem případě vody. Hodnotu pH 0-7 vykazují látky kyselé, pH 7-14 látky zásadité. Bazénová voda by měla mít pH 7,2-7,6.

### Proč je hodnota pH tak důležitá?

Důvodů je několik :

Chlór skutečně působí jako aktivní dezinfektant jen při dodržení pH v daném rozmezí.

Při vyšším pH než 7,6 se kyselé látky obsažené ve vodě srážejí a sedimentují, voda dostává mléčný zákal, filtrační zařízení se rychle zanáší a dochází k usazování sedimentů na stěnách a dnu bazénu.

Při nižším pH než 7,2 se voda stává agresivní, má korozivní účinky (i na nerezové části bazénu) a dochází k dráždění očí a nosohltanu.

Uvedené důvody nám dokazují, že kvalita vody v bazénu je značně ovlivňována hodnotou pH.

## CHLÓR

### Závazný předpis

Dle platné vyhlášky č. 464 MZ obsah VOLNÉHO CHLÓRU v bazénové vodě nemá přesáhnout hodnotu 0,3-0,5 mg/l (g/m<sup>3</sup>).

### Co se rozumí pod pojmem volný neboli zbytkový chlor ?

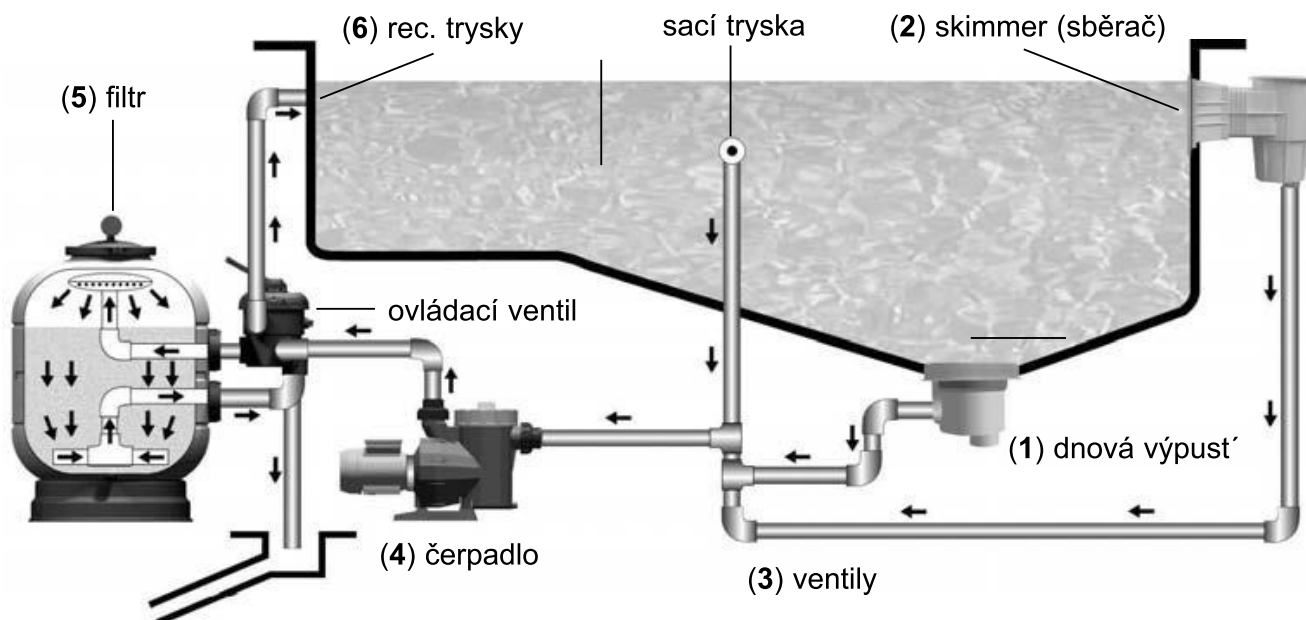
Ve vodě i po jejím přefiltrování zůstává celá řada bakterií a kultur, které je nutné zahubit.

K tomu je třeba nadávkovat do vody potřebné množství chlóru, který účinkuje ve své aktivní formě jako kyselina chlorná a ničí bakterie a organické zbytky obsažené ve vodě. Ty se do vody dostávají různým způsobem, např. větrem, vzduchem, deštěm nebo s plavci. Chlór, který jako kyselina chlorná "čeká" na to, aby zareagoval s dalšími bakteriemi a org. látkami, se nazývá VOLNÝ (ZBYTKOVÝ) CHLOR.

## FILTRACE

Filtrace je součástí celkové úpravy bazénové vody. To znamená, že samotné filtrační zařízení bez správného chemického ošetření vody nemůže zajistit požadované parametry vody. Stejně tak samotná chemická úprava vody bez filtrace není postačující.

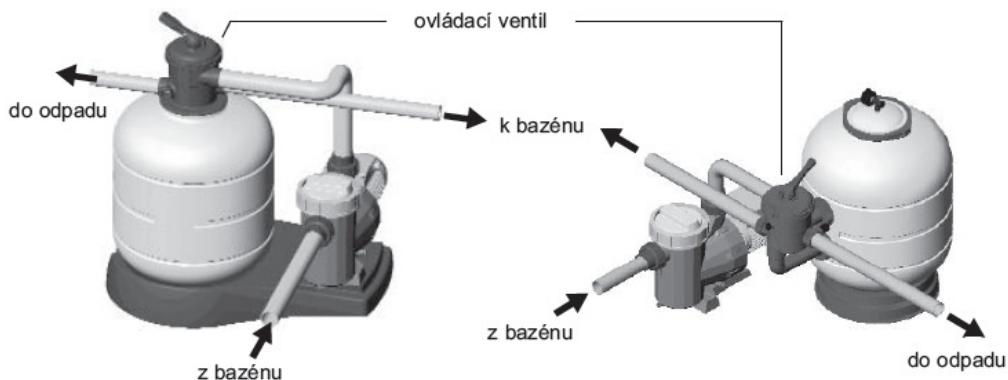
### PRINCIP FILTRACE



Voda je nasávána čerpadlem ze dna bazénu bazénovou výpustí (1) a z povrchu bazénu skimmerem /sběračem/ (2) přes ventil (3) do filtru (5), kde se čistí. Pak je vytlačována recirkulačními tryskami (6) zpět do bazénu. Trysky jsou umístěny na opačné straně, než je nainstalována dnová výpust' a skimmer. Vlastní filtr obsahuje pískovou náplň, ve které se zachycují nerozpustné nečistoty obsažené ve vodě. Po určité době filtrování dojde k zanesení písku, takže se pro vodu stává těžko prostupným. Je proto nutné písek proprat. Proprání neboli proplach se provádí tak, že se voda přivádí do filtru v opačném směru než při filtračním procesu.



Dochází ke zviření písku a uvolňování nečistot, které písek zachytil. Tato prací voda se odvádí do odpadu. Proplach filtru je třeba provést, když tlak na manometru filtru překročí hranici  $1,3 \text{ kg/cm}^2$ .



## UMÍSTĚNÍ FILTRU

Filtr má být umístěn co nejbližší bazénu a cca 0,5 m pod hladinou vody. Výhodné je umístění v blízkosti napojení na odpadní potrubí.

**Důležité :** pro připojení ovládacího 6-ti cestného ventilu na přívodní i výtlačné potrubí nepoužívejte železné potrubí a konopí, ale plastové rozvody a teflonovou pásku. Veškeré tvarovky by měly být též z PVC nebo polypropylenu. V okolí filtru by měl být dostatek místa pro údržbu a eventuální opravy. Ponechte po celém obvodu filtru minimálně 20 cm prostoru, aby byl

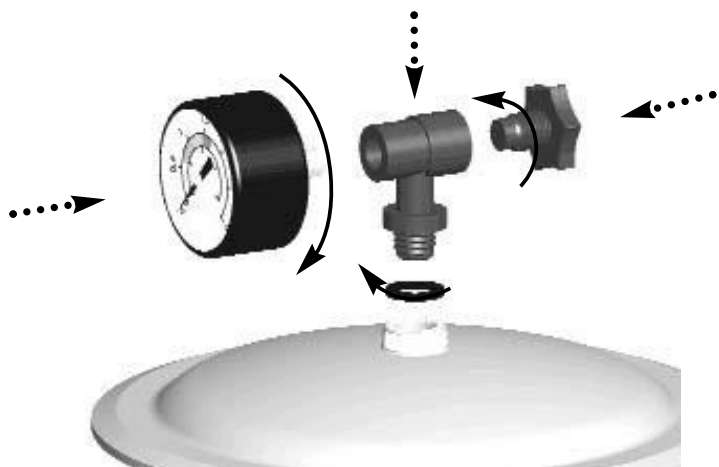
umožněn pohyb filtru během jeho provozu, jinak by mohlo dojít k poškození filtrační nádoby.

Neaplikujte na plastové součásti filtru žádná mazadla, oleje ani rozpouštědla, aby nedošlo k jejich poškození.

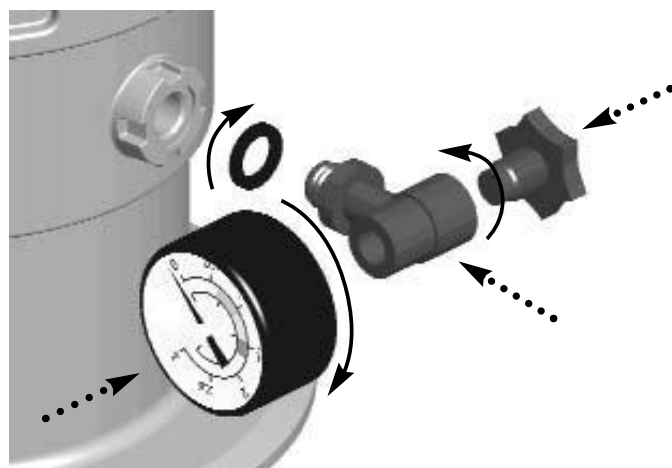
## MONTÁŽ FILTRAČNÍHO ZAŘÍZENÍ

Správnou montáž filtru provedte následovně:

- 1.- Zajistěte, aby podlaha, na které bude umístěn filtr, byla rovná a čistá.
- 2.- Filtr dejte na své místo.
- 3.- Pokud k filtru patří boční ovládací ventil, připojte jej. Ověřte správné nasazení všech těsnění mezi filtrem a ovládacím ventilem.
- 4.- Propojte všechny 3 otevřené vývody ovládacího ventilu s příslušným potrubím: potrubí od čerpadla do ovládacího ventilu, z ovládacího ventilu k recirkulačním tryskám a z ovládacího ventilu do odpadu. Označení vývodů je uvedeno přímo na ventilu.
- 5.- Na filtr našroubujte přiložený T-kus s podložkou, manometr a odvzdušňovací zátku (viz obrázek). Není třeba používat teflonovou pásku k dotěsnění závitů, neboť k utěsnění slouží gumová podložka. Současně se vyvarujte dotahování manometru jakýmkoli nástrojem, stačí dotáhnout rukou.



Montáž manometru u filtru s bočním ventilem



Montáž manometru u filtru s ventilem Top

## PÍSKOVÁ NÁPLŇ

---

Pro maximální účinnost filtru je třeba použít jako náplň křemičitý písek velikosti zrna (granulometrie) 0,5-0,7 mm (pokud výrobce filtru neurčí jinak). Množství písku se mění dle typu filtru.

Postup naplnění filtru pískem je následující:

1. Poté, co jste umístili filtr na své místo a připojili jej na potrubí, připravte si písek předepsané zrnitosti a v potřebném množství.
2. Sundejte víko filtru a opatrně sundejte i těsnění.
3. Do poloviny filtru nalijte vodu.
4. Po malých množstvích naložte písek.
5. Očistěte sedlo pro těsnění a těsnění vložte zpět.
6. Umístěte zpět víko filtru a dotáhněte šrouby (uzávěr).

## OVLÁDÁNÍ

---

Ovládací ventil je vybaven pákou pro přepínání 6-ti poloh ventilu. Každá z poloh odpovídá jedné funkci filtru.

**⚠ Důležité: Měnit polohu ovládacího ventilu je povoleno jen při vypnutém čerpadle, jinak může dojít k jeho poškození !**

## FILTROVÁNÍ (FILTRATION)

Při vypnutém čerpadle nastavte ovládací ventil do polohy "FILTRACE".  
Zapněte čerpadlo.

Během provozu občas zkontrolujte tlak, který ukazuje manometr, abyste měli představu o stavu zanesení filtru nečistotami. Když tlak dosáhne hodnoty 1,3 kp/cm<sup>2</sup>, proveďte "PROPLACH". Ventily na sacím potrubí ze dna bazénu a od skimmerů se přivírají nebo otevírají dle množství nečistot na vodní hladině. Je dobré si uvědomit, že při zcela otevřeném ventilu na potrubí ze dna bazénu, je sání skimmery na hladině nízké. Proto je při větším znečištění hladiny bazénu vhodné přiškrtnit ventil na dnovém potrubí.



**0,8 kg/cm<sup>2</sup> - 11,4 PSI:** běžný tlak ve filtru nezaneseném nečistotami



**1,3 kg/cm<sup>2</sup> - 18,5 PSI:** tlak ve filtru vyžadující provedení PROPLACHU

## PROPLACH (BACKWASH)

V každé pískové náplni se při filtraci vytvoří bezpočet prostupových cest, které zadržují nečistoty obsažené ve vodě. Zachycováním nečistot se počet prostupových cest neustále zmenšuje a dochází k zvyšování tlaku ve filtru. Při dosažení tlaku 1,3 kp/cm<sup>2</sup> filtrační písek již nedokáže zachytit více nečistot, a proto je potřebné provést "PROPLACH". Postup je následující:

Ovládací ventil přepněte při vypnutém čerpadle do polohy "PROPLACH"

Při plně otevřených ventilech na sání i na výtlaku zapněte čerpadlo na 2 minuty.

Po ukončení operace je filtr opět čistý a připraven pro další filtraci.



## RECIRKULACE (RECIRCULATION)

---

Při této poloze ovládacího ventilu se voda vrací přes čerpadlo zpět do bazénu, aniž by procházela filtrem. Používá se např. pro ohřev vody tepelným výměníkem, aniž by se voda filtrovala.



## VYPOUŠTĚNÍ (WASTE)

---

V případě, že Váš bazén nemá výpusť napojenou přímo na kanalizaci, je možné provést vypuštění bazénu přes čerpadlo. Pro tuto operaci je třeba přepnout ovládací ventil do polohy "VYPOUŠTĚNÍ". Při otevřeném ventilu na potrubí od dnové výpusti zapněte čerpadlo. Aby čerpadlo správně fungovalo, je nutné ověřit, že zachycovač hrubých nečistot čerpadla a sací potrubí je naplněno vodou.

Před tím, než provedete tuto operaci, se přesvědčete, že ventily na potrubí od skimmerů a na sání pro čistič dna jsou zavřeny.



## ZAFILTROVÁNÍ -USAZOVACÍ PROPLACH - (RINSE)

---

Kdybyste provedli "PROPLACH" filtru a hned zahájili "FILTROVÁNÍ", v prvních vteřinách by do bazénu přitékala zakalená voda obsahující drobné nečistoty, které se při proplachu nestačily odplavit do odpadu. Abyste tomuto jevu zabránili, používá se "ZAFILTROVÁNÍ". Proveďte jej následovně:

Ihned po "PROPLACHU" nastavte ovl. ventil do polohy "ZAFILTROVÁNÍ". Na 1 minutu zapněte čerpadlo. Vypněte čerpadlo a ovládací ventil přepněte do polohy "FILTROVÁNÍ".

Při poloze ventilu "ZAFILTROVÁNÍ" se voda nevrací do bazénu, ale jde do odpadu.



## ZAVŘENO (CLOSED)

Tato poloha se používá při čištění lapače hrubých nečistot čerpadla.



## UVEDENÍ DO PROVOZU

Po naplnění filtru pískem je nutné provést jeho propláchnutí, a to následovně:

1. Přepněte ovládací 6-ti cestný ventil do polohy "PROPLACH".
2. Otevřete ventily, které jsou napojeny na sací potrubí a na 4 minuty zapněte čerpadlo.
3. Zastavte čerpadlo a ovládací ventil přepněte do polohy "FILTRACE". Po těchto operacích je filtr připraven na normální filtrační provoz.

## ÚDRŽBA

K čištění povrchu filtru nepoužívejte žádná ředidla ani agresivní látky, které by mohly filtr poškodit. V případě výměny některých dílů filtru používejte jen originální náhradní díly výrobce.

Pravidelně provádějte proplachy a zafiltrování dle návodu.

1 x ročně vyčistěte písek ve filtru některým přípravkem z naší nabídky (např. CTX-55) tak, aby se nezhoršovaly jeho filtrační parametry. Přibližně po 3 letech provozu se doporučuje písek ve filtru vyměnit.

### Zazimování:

Aby nedošlo v zimním období k poškození filtru, je třeba:

- provést proplach a zafiltrování
- vypustit z filtru všechnu vodu
- otevřít horní víko filtru k jeho odvětrávání
- pokud chcete filtr používat, postupujte dle tohoto návodu - Uvedení do provozu

## NEJČASTĚJŠÍ ZÁVADY

DRUH ZÁVADY	PŘÍČINA	ŘEŠENÍ
filtr dává malý průtok vody sací tryska málo nasává	lapač nečistot je zanesený	vyčistěte lapač nečistot
	motor má obrácený chod	ověřte, zda šipka otáčení na víku motoru čerpadla souhlasí se skutečným směrem otáčení motoru, pokud ne, zaměňte 2 fáze motoru (platí jen u 3-fáz. motorů) *
	Sací nebo výtlačné potrubí je ucpané	potrubí vyčistěte
tlak ve filtru velmi rychle narůstá	vysoké pH vody (voda má mléčný zákal)	snižte pH vody
	nedostatek chlóru (voda má nazelenalou barvu)	nadávkujte potřebné množství chlóru a přípravku proti řase
tlak na manometru rychle kolísá	čerpadlo nasává vzduch	dotáhněte víko zachycovače hrubých nečistot a odstraňte netěsnosti na sacím potrubí
	ventily sacího potrubí jsou téměř zavřeny	otevřete ventily (dnový a od skimmeru)

\*Pokud na čerpadle nenaleznete šipku označující směr otáčení, lze správný směr ověřit následovně: při pohledu na zadní kryt ventilátoru elektromotoru čerpadla se musí ventilátor otáčet ve směru hodinových ručiček.

## BEZPEČNOSTNÍ OPATŘENÍ

Nespouštějte filtrační zařízení, aniž by byly filtr i čerpadlo naplněny vodou. Pamatujte na to, že při vysávání nečistot ze dna bazénu vysavačem, je nezbytné předem zavodnit vysavačovou hadici, jinak dojde k zavadušnění čerpadla a jeho poškození. Při jakékoli manipulaci s filtrem nebo čerpadlem odpojte zařízení od přívodu elektrického napětí.

Na filtrační zařízení je zakázáno si sedat.

Zamezte přímému napojení filtru na vodovodní řad, došlo by k jeho zničení nadměrným tlakem.

Filtr i jeho víko čistěte jen vodou s malým množstvím saponátu, nepoužívejte jiné látky, které by mohly způsobit jejich poškození.

Vzhledem k tomu, že všechny spoje jsou osazeny těsněním, není třeba nadměrně dotahovat šrouby a matky filtru. Vyhněte se tak deformaci či poškození plastových částí filtru.

## Что происходит с водой в вашем бассейне?

---

Это должен быть самый важный вопрос для всех владельцев бассейнов. Раньше для многих бассейнов не применялась фильтрация воды, и владельцам приходилось менять воду по мере необходимости.

Сегодня владельцы бассейнов предъявляют высокие требования к гигиене, хотят иметь кристально чистую воду в своем бассейне и при этом прилагать минимум усилий. Эти задачи могут быть достигнуты с помощью фильтрации и химической обработки воды.

1. Биологическое загрязнение. Вода загрязняется микроорганизмами, которые могут попадать из воздуха или поступать в воду с тела купающихся людей. Эти паразиты быстро размножаются в тёплой воде и могут даже формироваться в водоросли, которые придают воде зелёную окраску.
2. Дождь и ветер могут принести пыль и разные листья, которые также способствуют загрязнению воды.

### Решение проблем

1. Поддерживайте требуемое количество хлора в воде, чтобы бороться с микроорганизмами. Также могут быть использованы йод, бром и озон. Вещества, в состав которых входит хлор, обычно многофункциональны.
2. Пользуйтесь фильтром для очистки воды в бассейне.

## Уровень PH

---

Уровень PH указывает на кислотность или щелочность воды. Нейтральное значение pH-7.0. PH в диапазоне от 0-7 указывает на уровень кислотности, PH от 7-14 показывает уровень щелочности.

Нормальный уровень PH в бассейне может варьироваться между 6.8 и 8.4.

### Почему важен уровень PH?

**ИДЕАЛЬНЫЙ УРОВЕНЬ PH В БАСЕЙНЕ ДОЛЖЕН БЫТЬ МЕЖДУ 7.2 И 7.6.**

Хлор должен присутствовать в бассейне в достаточном количестве, чтобы предотвращать образование различных микроорганизмов. Но действие хлора будет эффективным, если уровень PH будет находиться между 7.2 и 7.6.

Существует ещё несколько причин, из-за которых уровень PH должен быть в норме. Если уровень PH выше показателя 7.6, то воздействие кальция приведет к помутнению воды.

Если уровень падает ниже 7.0, вода может вызвать раздражение глаз и слизистых оболочек, и такой уровень PH также негативно сказывается на металлических конструкциях бассейна.

Вполне очевидно, что качество воды в первую очередь зависит от уровня PH.

**Хлор**

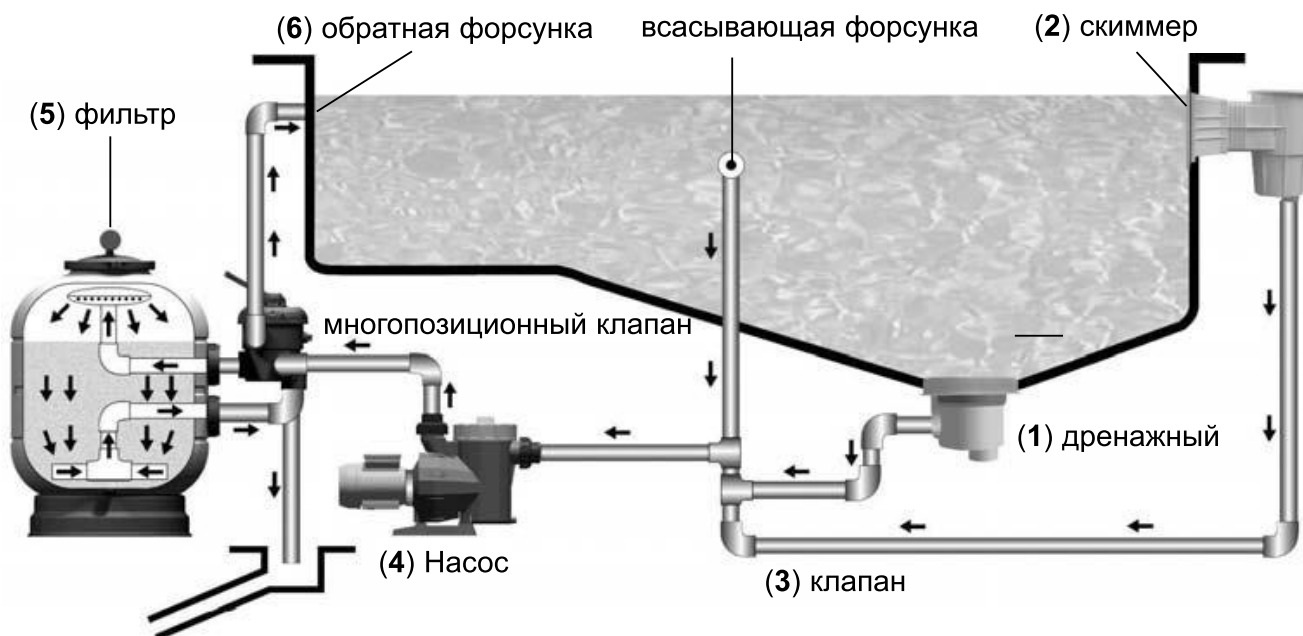
Стандарты, определяющие количество свободного хлора в воде бассейна в разных странах различные, но обычно это 0.2 - 0.6 миллиграмма на каждый литр воды.

**Что называется свободным хлором?**

Даже после процесса фильтрации в воде остается какое-то количество бактерий. Для дальнейшей борьбы с новыми бактериями в воду добавляется дополнительное количество хлора. Именно это количество хлора и называется свободным хлором.

**Фильтрация**

Очень важно, чтобы фильтрация сопровождалась химической обработкой воды в бассейне. Эти два процесса взаимно дополняют друг друга.

**Принцип работы**

Вода всасывается через дренажный коллектор (1), расположенный на дне бассейна и скиммер (2) на стенке бассейна, затем, через отдельный трубопровод с соответствующими клапанами (3), вода попадает в насос (4) фильтра (5), и после этого уже непосредственно в песочный фильтр. После фильтрации вода возвращается в бассейн через обратные форсунки (6), расположенные на противоположной стороне от скиммера и дренажного коллектора.

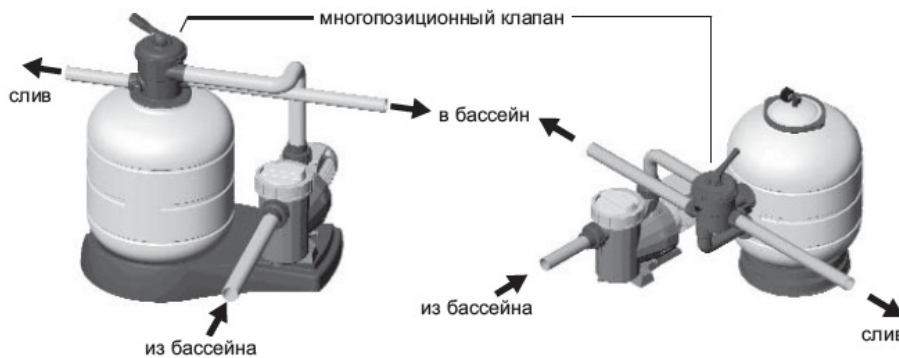
Вода в фильтр поступает сверху и проходит сквозь фильтрационный слой песка, таким образом, происходит очистка воды.



Для очистки песка в фильтре необходимо его периодически промывать.

Для этого следует применять функцию "ОБРАТНАЯ ПРОМЫВКА", которая обеспечивает противоположное направление потока воды. Принимая во внимание все вышесказанное, и следуя инструкции проблемы по монтажу не должны возникнуть.

Когда давление в фильтре достигнет  $1,3 \text{ кг/см}^3$ , фильтр необходимо промыть.



### Установка

Фильтр должен быть установлен как можно ближе к бассейну и желательно на уровне 0.50 метров ниже поверхности воды в бассейне. Убедитесь, что на месте установки фильтра есть дренажная труба.

**Внимание:** Для соединения клапана с трубой используйте только трубы ПВХ и тефлоновую ленту. Для данного фильтра подойдут трубы с резьбовыми либо клеевыми концами д.  $1 \frac{1}{2}$ " или 2".

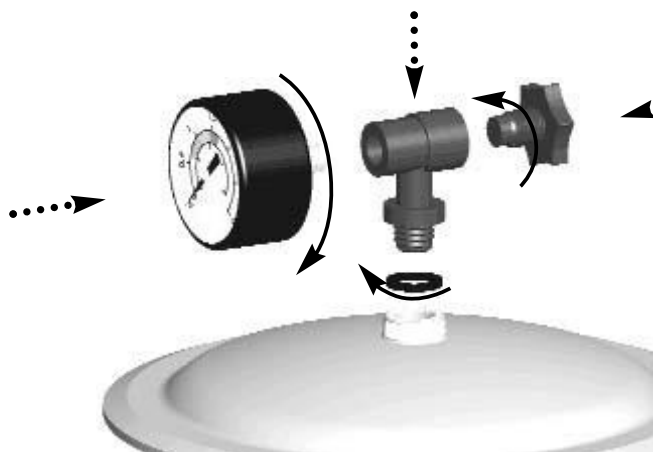
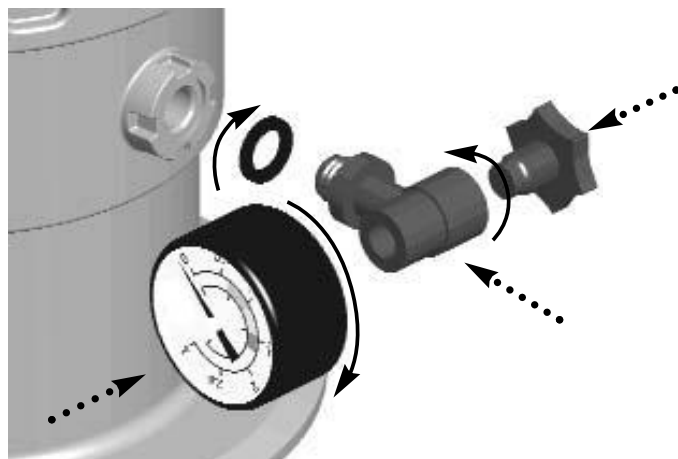
Вокруг фильтра оставьте свободное пространство достаточное для удобства его обслуживания.

Обязательно оставить вокруг фильтра свободное пространство не менее 20 см, это необходимо для предотвращения повреждения сосуда фильтра во время работы. (Во время работы возможны небольшие хаотичные смещения корпуса фильтра).

Не наносить смазку, технические масла или растворители на пластиковые части, это может привести повреждению пластика изделия.

### Сборка фильтра

1. Поместите фильтр на чистую горизонтальную поверхность
2. Установите боковой селекторный вентиль фильтра
3. Проверьте три следующих соединения: соединение трубы насоса с вентилем, сливного отверстия с вентилем, вентиля с обратным клапаном. Каждое из этих соединений четко обозначено на самом вентиле.
4. Установите манометр, для этого вам не потребуется ни тефлоновая лента, ни какие-либо дополнительные инструменты. Просто прикрутите манометр к фильтру.

**монтаж манометра при боковом вентиле****монтаж манометра при верхнем вентиле**

### **Загрузка фильтра песком**

---

Для максимально эффективной работы фильтра должен использоваться песок с гранулометрией 0.5-0.7 мм. Количество песка необходимого для загрузки фильтра указано на табличке, которая расположена непосредственно на самом фильтре.

1. Фильтр следует загружать песком, когда он уже установлен и подключен к трубопроводу.
2. Наполните фильтр водой ровно наполовину.
3. Снимите крышку фильтра.
4. Наполните фильтр необходимым количеством песка.
5. Очистите крышку фильтра от песка.
6. Установите крышку на место.

### **Фильтрационный процесс**

---

Селекторный клапан позволяет выбрать одну из шести способов работы фильтра, что обеспечивает его максимально эффективную работу.

**⚠ Внимание:** При смене позиции клапана насос всегда должен быть отключен.

## Фильтрация (FILTRATION)

Установите клапан в позицию "FILTRATION" при отключенном насосе.  
Включите насос.

Рекомендуется время от времени обращать внимание на показания манометра, так как он указывает на степень загрязнения фильтра. Когда давление достигает 18.5 PSI (1.3 кг/см<sup>2</sup>) необходимо выполнить промывку фильтра. Всасывающие клапаны на дне бассейна и скиммера необходимо регулировать в соответствии с количеством загрязнений в бассейне.



**0,8 кг/см<sup>2</sup> - 11,4 PSI:** Нормальное давление для начала фильтрационного цикла



**1,3 кг/см<sup>2</sup> - 18,5 PSI:** Данное давление указывает на необходимость выполнения операции "ОБРАТНАЯ ПРОМЫВКА"

## Обратная промывка (BACKWASH)

Слой песка содержит тысячи каналов, которые задерживают все загрязнения, содержащиеся в воде. Число свободных каналов, позволяющих воде свободно проходить через песок, непрерывно уменьшается. Поэтому давление внутри фильтра постоянно растет. Критическое давление - 1,3 кг/см<sup>2</sup>. При таком давлении песок уже не способен фильтровать воду и должен быть очищен следующим образом:

- отключите насос
- поместите вентиль в положение ОБРАТНАЯ ПРОМЫВКА
- включите насос на две минуты

После выполнения данной операции, вся грязь, скопившаяся в фильтре, промывается.



**Рециркуляция (RECIRCULATION)**

При этом положении вентиля вода из насоса, не проходя через фильтр, поступает напрямую в бассейн.

**Слив (WASTE)**

Если в бассейне не предусмотрен донный слив, то бассейн может быть опустошен при помощи насоса, при этом вентиль должен быть установлен в позицию СЛИВ. При осуществлении данной операции магистральный коллектор, скиммер и воздушные клапаны должны быть перекрыты

**Слив промывки (RINSE)**

После обратной промывки рекомендуется выполнить операцию СЛИВ ПРОМЫВКИ, чтобы остатки грязной воды не попали обратно в бассейн. Для этого отключите насос, установите вентиль в позицию СЛИВ ПРОМЫВКИ, включите насос на 1 минуту (обратите внимание на показатель в смотровом стекле, т.к. время работы насоса зависит от степени загрязнения воды в фильтре). Данная операция позволяет слить остатки промывной воды в канализацию.



## **Закрыто (CLOSED)**

Данная возможность фильтра предотвращает вытекание воды из фильтра, в случае если насос нужно отсоединить (например, для ремонта или замены).



## **Эксплуатация**

Когда фильтр установлен необходимо промыть песок в соответствие с следующими указаниями:

1. Установите клапан в положение "WASH" (промывание).
2. Откройте клапаны, контролирующие всасывание воды из бассейна в трубопровод. Включите насос на 4 минуты.
3. Остановите насос и поставьте клапан в положение "FILTRATION" (фильтрация).

После проделанных шагов фильтр готов к работе.

## **Уход за фильтром**

Не применяйте средства на основе растворителя для ухода за фильтром, так как это может привести к потере блеска.

Всегда вовремя заменяйте различные соединения и части фильтра, вышедшие из строя либо не отвечающие требованиям эксплуатации.

По мере необходимости выполняйте промывку фильтра.

Очищайте ежегодно песок в фильтре при помощи твердого или жидкого средства ASTRAL Filnet, специально предназначенного для этой цели.

Рекомендуется заменять песок в фильтре примерно каждые три года.

## **Уход за фильтром в зимний период**

К зимнему периоду необходимо подготовить фильтр следующим образом:

Выполните обратную промывку и слив промывки в соответствие с вышеприведенными инструкциями.

Удалите полностью всю воду из фильтра.

Снимите крышку фильтра, чтобы осуществлялось проветривание фильтра в течение внеэксплуатационного периода.

По окончании зимнего периода для подключения фильтра необходимо проделать все необходимые шаги как при первом включении (см. инструкцию).

**Наиболее распространенные проблемы**

Проблема	Причина	Устранение
Фильтр фильтрует воду небольшими объемами.  Плохо всасывает.	Фильтр заблокирован	Очистите фильтр
	Мотор крутится в обратную сторону	По стрелке на корпусе мотора определите направление его вращения, и в случае ошибки измените соединения двигателя.
	Всасывающие трубы заблокированы	Очистите трубы
Давление быстро растет в процессе фильтрации.	Высокий уровень pH воды (мутная вода).	Снизьте уровень pH
	Недостаток хлора (вода зеленоватого оттенка)	Добавьте в воду хлор.
Давление постоянно меняется.	Насос всасывает воздух.	Проверьте фильтр и трубы на герметичность
	Труба не полностью закрыта.	Проверьте, что бы клапаны были полностью закрыты.

**Меры предосторожности**

Фильтр можно включать только при наличии в нем воды

Не позволяйте детям или взрослым садиться на фильтр

Не подключайте фильтр напрямую к водопроводу, так как давление воды в водопроводе может превышать максимальное рабочее давление фильтра

Не применяйте растворители для очистки крышки фильтра, так как это может привести к потере блеска

Не затягивайте гайки слишком сильно, так как пластмассовые элементы фильтра могут дать трещину.

# **Certificado de Garantía**

## **1. ASPECTOS GENERALES**

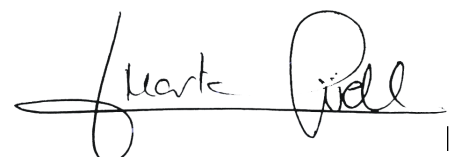
- 1.1 De acuerdo con estas disposiciones, el vendedor garantiza que el producto correspondiente a esta garantía no presenta ninguna falta de conformidad en el momento de su entrega.
- 1.2 El Periodo de Garantía para el Producto es de dos (2) años y se calculará desde el momento de su entrega al comprador. El fabricante del producto extiende la garantía para la cuba o recipiente exterior fabricado en composite a cinco (5) años que se calcularán desde la fecha de fabricación.
- 1.3 Si se produjera una falta de conformidad del Producto y el comprador lo notificase al vendedor durante el Periodo de Garantía, el vendedor deberá reparar o sustituir el Producto a su propio coste en el lugar donde considere oportuno, salvo que ello sea imposible o desproporcionado.
- 1.4 Cuando no se pueda reparar o sustituir el Producto, el comprador podrá solicitar una reducción proporcional del precio o, si la falta de conformidad es suficientemente importante, la resolución del contrato de venta.
- 1.5 Las partes sustituidas o reparadas en virtud de esta garantía no ampliarán el plazo de la garantía del Producto original, si bien dispondrán de su propia garantía.
- 1.6 Para la efectividad de la presente garantía, el comprador deberá acreditar el nº de fabricación del producto.
- 1.7 Cuando hayan transcurrido más de seis meses desde la entrega del Producto al comprador y éste alegue falta de conformidad de aquél, el comprador deberá acreditar el origen y la existencia del defecto alegado.
- 1.8 El presente Certificado de Garantía no limita o prejuzga los derechos que correspondan a los consumidores en virtud de normas nacionales de carácter imperativo.

## **2. CONDICIONES PARTICULARES**

- 2.1 Para la eficacia de esta garantía, el comprador deberá seguir estrictamente las indicaciones del Fabricante incluidas en la documentación que acompaña al Producto, cuando ésta resulte aplicable según la gama y modelo del Producto.
- 2.2 Cuando se especifique un calendario para la sustitución, mantenimiento o limpieza de ciertas piezas o componentes del Producto, la garantía sólo será válida cuando se haya seguido dicho calendario correctamente.

## **3. LIMITACIONES**

- 3.1 El presente garantía únicamente será de aplicación en aquellas ventas realizadas a consumidores, entendiéndose por "consumidor", aquella persona que adquiere el Producto con fines que no entran en el ámbito de su actividad profesional.
- 3.2 No se otorga ninguna garantía respecto del normal desgaste por uso del producto. En relación con las piezas, componentes y/o materiales fungibles o consumibles como arena, anillas, etc., se estará a lo dispuesto en la documentación que acompañe al Producto, en su caso.
- 3.3 La garantía no cubre aquellos casos en que el Producto: (i) haya sido objeto de un trato incorrecto; (ii) haya sido inspeccionado, reparado, mantenido o manipulado por persona no autorizada; (iii) haya sido reparado o mantenido con piezas no originales o (iv) haya sido instalado o puesto en marcha de manera incorrecta.
- 3.4 Cuando la falta de conformidad del Producto sea consecuencia de una incorrecta instalación o puesta en marcha, la presente garantía sólo responderá cuando dicha instalación o puesta en marcha esté incluida en el contrato de compra-venta del Producto y haya sido realizada por el vendedor o bajo su responsabilidad.
- 3.5 Daños o fallos del filtro debido a la exposición a temperaturas inferiores a 0°C (32º F) o superiores a 50°C (125º F).
- 3.6 Daños o fallos del filtro producidos por golpes de ariete o a consecuencia de un sobredimensionamiento de las bombas del sistema de filtración.
- 3.7 La garantía no cubre posibles desperfectos a otros equipos o a la propia instalación debidos a un fallo del filtro. No está cubierto por la garantía, cualquier gasto de demolición, modificación de la estructura, manipulación o cualquier otro daño relacionado con la eliminación del filtro de la instalación.



**Quality Department Manager**

# Guarantee Certificate

## **1. GENERAL TERMS**

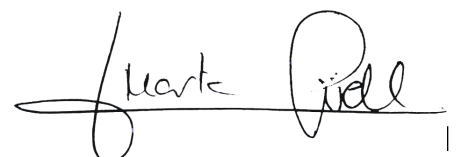
- 1.1. In accordance with these provisions, the seller guarantees that the product corresponding to this guarantee is in perfect condition at the time of delivery.
- 1.2. The Guarantee Term for the Product is two (2) years from the time it is delivered to the purchaser. The manufacturer of the product extends the guarantee of the GRP vessel to five (5) years from the date of manufacture.
- 1.3. In the event of any defect in the Product that is notified by the purchaser to the seller during the Guarantee Term, the seller will be obliged to repair or replace the Product, at his own cost and wherever he deems suitable, unless this is impossible or unreasonable.
- 1.4. If it is not possible to repair or replace the Product, the purchaser may ask for a proportional reduction in the price or, if the defect is sufficiently significant, the terminations of the sales contract.
- 1.5. The replaced or repaired parts under this guarantee, will not extend the guarantee period of the original Product, but will have a separate guarantee.
- 1.6. In order for this guarantee to come into effect, the purchaser must provide proof of the number of manufacture of the Product.
- 1.7. If, after six months from the delivery of the Product to the purchaser, he notifies a defect in the Product, the purchaser must provide proof of the origin and existence of the alleged defect.
- 1.8. This Guarantee Certificate is issued without prejudice to the rights corresponding to consumers under national regulations.

## **2. INDIVIDUAL TERMS**

- 2.1. For this guarantee to be effective, the purchaser must strictly follow the Manufacturer's instructions included in the documentation provided with the Product, in cases where it is applicable according to the range and model of the Product.
- 2.2. When a time schedule is specified for the replacement, maintenance or cleaning of certain parts or components of the Product, the guarantee will only be valid if this time schedule has been followed.

## **3. LIMITATIONS**

- 3.1. This guarantee will only be applicable to sales made to consumers, understanding by "consumer", a person who purchases the Product for purposes not related to his professional activities.
- 3.2. The normal wear resulting from using the product is not guaranteed. With respect to expendable or consumable parts, components and/or materials, such as batteries, light bulbs, etc. the stipulations in the documentation provided with the Product, will apply.
- 3.3. The guarantee does not cover those cases when the Product; (I) has been handled incorrectly; (II) has been repaired, serviced or handled by non-authorized people or (III) has been repaired or serviced not using original parts or (IV) has been installed or started-up in a wrong way.
- 3.4. In cases where the defect of the Product is a result of incorrect installation or start-up, this guarantee will only apply when said installation or start-up is included in the sales contract of the Product and has been conducted by the seller or under his responsibility.
- 3.5. Damage or faults of the filter owing to exposure to temperatures below than 0°C (32°F) or above 50°C (125°F).
- 3.6. Damage or faults of the filter caused by knocks or as a result of over sizing of the filtering system pumps.
- 3.7. Guarantee does not cover possible defect to other equipment or the own installation due to a failure with the filter. Guarantee does not cover, any cost of demolition, modification of the structure, manipulation or any other damage related to the elimination of the filter of the installation.



**Quality Department Manager**





