

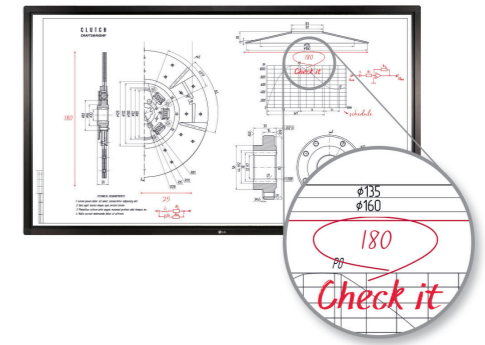
All-in-one Collaboration Solution Beyond Touch Display

The optimal solution for effective meetings with advanced touch technology.



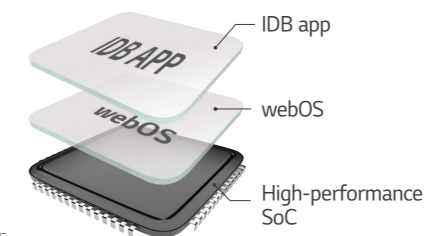
Quick Response and Detailed Writing

The screen recognizes even the smallest touch points accurately and instantly shows the response to the touch point.



Embedded Solution for Collaboration

webOS-based IDB app enhances collaboration efficiency during a meeting, by combining whole processes including screen sharing, writing, and saving annotation on Interactive Digital Board.



※ For TR3E, TC3D Series

Multi-touch

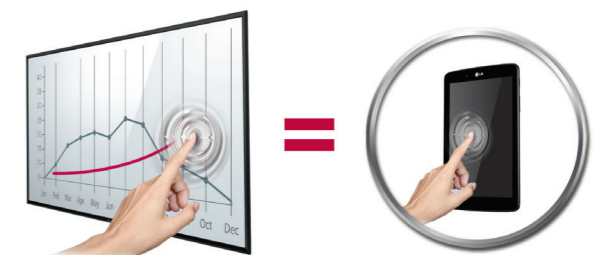
It provides a more realistic sense of touch since it can recognize simultaneous touches at once with no need for a separate pen.



※ Touch points can vary depending on the models and connection environment.

Intuitive Touch

Users will find the Interactive Digital Board easy to use because the touchscreen feels similar to their mobile phones or tablets.



※ For TR3E, TC3(C)D Series

Line-up



Interactive Digital Board

86" (TR3E)

webOS

- Ultra HD: 3,840 x 2,160
- Brightness¹: 410 cd/m²
- Built-in InGlass™ touch
- Multi-touch 20 points
- Embedded IDB app
- Built-in speaker



IR Touch Display

55"/49"/43"/32" (TA3E)

webOS

- Full HD: 1,920 x 1,080
- Brightness¹: 450 cd/m², 400 cd/m² (32")
- Built-in IR touch
- Multi-touch 10 points
- Embedded IDB app (Writing only)
- Built-in speaker



Interactive Digital Board

75"/65"/55" (TC3D)

webOS

- Ultra HD: 3,840 x 2,160 (75"), Full HD: 1,920 x 1,080
- Brightness¹: 500 cd/m² (75"), 450 cd/m² (65"/55")
- Built-in P-Cap touch
- Multi-touch 40 points
- Embedded IDB app
- Built-in speaker



Touch Overlay

(KT-T**E)

- IR Touch
- Multi-touch 10points
- Supported Operating System:
Windows 7, Windows 8, Windows 8.1, Windows 10,
Android (Kernal version 3.5+), Linux (Kernal version 3.5+),
Mac OS X (10.9/10.10, single touch only)



P-Cap Touch Display

55" (TC3CD)

webOS

- Ultra HD: 3,840 x 2,160
- Brightness¹: 500 cd/m²
- Built-in P-Cap touch
- Multi-touch 40 points

* Additional software is required for touch performance.

1) Brightness without protection glass
※ The model line-up is subject to change without notice and may differ depending on the region.

※ Specifications are subject to change without notice

		86TR3E	75/65/55TC3D	
Panel	Screen Size	86"	75", 65", 55"	
	Panel Technology	IPS	IPS	
	Aspect Ratio	16 : 9	16 : 9	
	Native Resolution	3,840 x 2,160 (UHD)	75": 3,840 x 2,160 (UHD) 65"/55": 1,920 x 1,080 (FHD)	
	Brightness ¹	410 cd/m ²	75": 500 cd/m ² 65", 55": 450 cd/m ²	
	Viewing Angle (H x V)	178 x 178	178 x 178	
Connectivity	Input	HDMI (3), DP, DVI-D, RGB, Audio, USB 3.0, USB 2.0, OPS USB 2.0, Touch USB 2.0 (2)		
	Output	-		
	External Control	RS232C In/out, RJ45 In		
Physical Specification	Bezel Width	50.7 mm (T/L/R), 62.2 mm (B)	75": 41.6 mm (Even) 65": 36.1mm (T/L/R), 42.2mm (B) 55" 31.6 mm (T), 32.3 mm (L/R), 37.7 mm (B)	
	Monitor Dimension (W x H x D)	2,026.9 x 1,180.3 x 79.5 mm (w/o Handle)	75": 1,760.9 x 1,011.1 x 69.7 mm (w/o Handle) 65": 1,530.8 x 883.8 x 71.7 mm (w/o Handle) 55" 1,276.4 x 751.9 x 63.9 mm	
	Weight (Head)	85.8 kg	75": 74.5 kg 65": 51 kg 55" 30.1 kg	
	Carton Dimensions (W x H x D)	2,190 x 1,470 x 371 mm	75": 1,870 x 1,264 x 285 mm (with pallet) 65": 1,650 x 1,035 x 228 mm 55" 1,369 x 890 x 210 mm	
	Packed Weight	114.6 kg	75": 94 kg 65": 59 kg 55": 36.1 kg	
	VESA™ Standard Mount Interface	600 x 400 mm	75": 600 x 400 mm 65", 55": 300 x 300 mm	
	Environment Conditions	Operation Temperature	0°C to 40°C	0°C to 40°C
Operation Humidity		10% to 80%	10% to 80%	
Power	Power Supply	100-240V~, 50/60Hz	100-240V~, 50/60Hz	
	Power Type	Built-In Power	Built-In Power	
	Power Consumption	Typ.	≤ 330 W	75": ≤ 240 W 65": ≤ 120 W 55": ≤ 100 W
		Smart Energy Saving	≤ 200 W	75": ≤ 170 W 65": ≤ 85 W 55": ≤ 70 W
Standard (Certification)	Safety	UL / cUL / CB / TUV / KC	UL / cUL / CB / TUV / KC	
	EMC	FCC Class "A" / CE / KC	FCC Class "A" / CE / KC	
Media Player Compatibility	OPS Type Compatible	Yes	Yes	
Software Compatibility*	Content Management Software	SuperSign CMS	SuperSign CMS	
	Control and Monitoring Software	SuperSign Control+	SuperSign Control+	
Accessories	Basic	Remote Controller (2ea Batteries Included), Power Cord, QSG, HDMI (3M), Regulation Book, Phone to RS232C Gender, Touch Pen (2ea), Eyebolt (2ea, 86" Only), Touch Pen Tip (1ea, TC3D Only), USB A to B Cable (1.8M)		
	Optional	OPS Kit (KT-OPSA)	OPS Kit (KT-OPSA), Wall Mount (75": LSW640A/B, 55": LSW350A/B)	
Touch Specifications	Touch Type	InGlass™ Touch (FTIR)	P-Cap (Ag Metal Mesh)	
	Available Object Size for Touch	More than Ø 3 mm	More than Ø 6 mm	
	Accuracy	2 mm	2 mm	
	Interface	USB 2.0	USB 2.0	
	Protection Glass Thickness	4T (Anti-Glare)	75": 4T (Anti-Glare) 65", 55": 3.2T (Anti-Glare)	
	Multi Touch Point ²	Max. 20 Points	Max. 10 Points	

		55TC3CD	55TA3E/49TA3E/43TA3E/32TA3E	
Panel	Screen Size	55"	55", 49", 43", 32"	
	Panel Technology	IPS	IPS	
	Aspect Ratio	16 : 9	16 : 9	
	Native Resolution	3,840 x 2,160 (UHD)	1,920 x 1,080 (FHD)	
	Brightness ¹	500 cd/m ²	450 cd/m ²	
	Viewing Angle (H x V)	178 x 178	178 x 178	
Connectivity	Input	HDMI (2), DP, DVI-D, Audio, USB 3.0, USB 2.0 (Type A for Wi-Fi Dongle), SD Card		
	Output	DP, Audio, External Speaker (L/R, 6ohm), Touch USB 2.0	DP, Audio Out	
	External Control	RS232C In/out, RJ45 In, IR&Light Receiver In, Pixel Sensor In	RS232C In/out, RJ45 In, IR Receiver In, Pixier Sensor In	
Physical Specification	Bezel Width	32.95 mm (T), 32.4 mm (L/R), 36.55 mm (B)		
	Monitor Dimension (W x H x D)	1,276.4 x 751.9 x 63.9 mm		
	Weight (Head)	29.1 kg		
	Carton Dimensions (W x H x D)	1,406 x 203 x 870 mm		
	Packed Weight	34.9 kg		
	VESA™ Standard Mount Interface	300 x 300 mm		
	Environment Conditions	Operation Temperature	0°C to 40°C	
		Operation Humidity	10% to 80%	
Power	Power Supply	100-240V~, 50/60Hz		
	Power Type	Built-In Power		
	Power Consumption	Typ.	140 W	
		Smart Energy Saving	80 W	
Standard (Certification)	Safety	UL / cUL		
	EMC	FCC Class "A"		
	ErP / Energy Star	- / N/A / Yes (EnergyStar 7.0)		
Media Player Compatibility	OPS Type Compatible	Yes		
Software Compatibility*	Content Management Software	SuperSign CMS		
	Control and Monitoring Software	SuperSign C		
Accessories	Basic	Remote Controller (2ea Batteries Included), Power Cord, QSG, HDMI Cable (2M), Regulation Book, Phone to RS232C Gender, IR Dongle, Touch USB Cable	Remote Controller (2ea Batteries Included), Power Cord, QSG, RGB Cable, Regulation Book, Phone to RS232C Gender, Memory Cover	
	Optional	Speaker (SP-5200), Media Player, Wall Bracket (LSW350B), VESA Adapter (AM-B330S), OPS Kit (KT-OPSA), Wi-Fi Dongle (AN-WF500)	Stand (55"/49": ST-492T, 43": ST-432T, 32": ST-322T), Media Player, Wall Bracket (55"/49": LSW350B, 43"/32": LSW230B), VESA Adapter (55"/49": AM-B330S, 43"/32": AM-B220S), OPS Kit (KT-OPSA), HD BaseT (EB-B100)	
Touch Specifications	Touch Type	P-Cap (Ag Metal Mesh)		
	Available Object Size for Touch	More than Ø 6 mm		
	Accuracy	2 mm ± 0.2 mm		
	Interface	USB 2.0		
	Protection Glass Thickness	3.2T (Anti-Glare)		
	Multi Touch Point ²	Max. 40 Points		

1) Brightness without protection glass

2) Touch points can vary depending on the connection environment.

* Software compatibility may change over time. Please contact your regional LG sales representative for details.